

# International Tractors Ltd.

## Spare Parts Catalogue

20-10-2023 17:25:59

Document generated by AGRICORTES

SOLIS- 60 STAGE V



## INTRODUCTION

The next three pages will give the user few tips for reading this Spare Parts Catalogue. Every effort is made to make this Spare Part Catalogue user friendly.

### HOW TO READ THIS SPARE PARTS CATALOGUE

In order to see the required exploded assembly view first choose Assembly ID (from the mentioned list below). This can be easily choose with the help of the below sheet .Pick your Assembly ID with the reference of required Assembly and open the page as per Assembly Description. This information contained in below "TABLE" is as per follows:

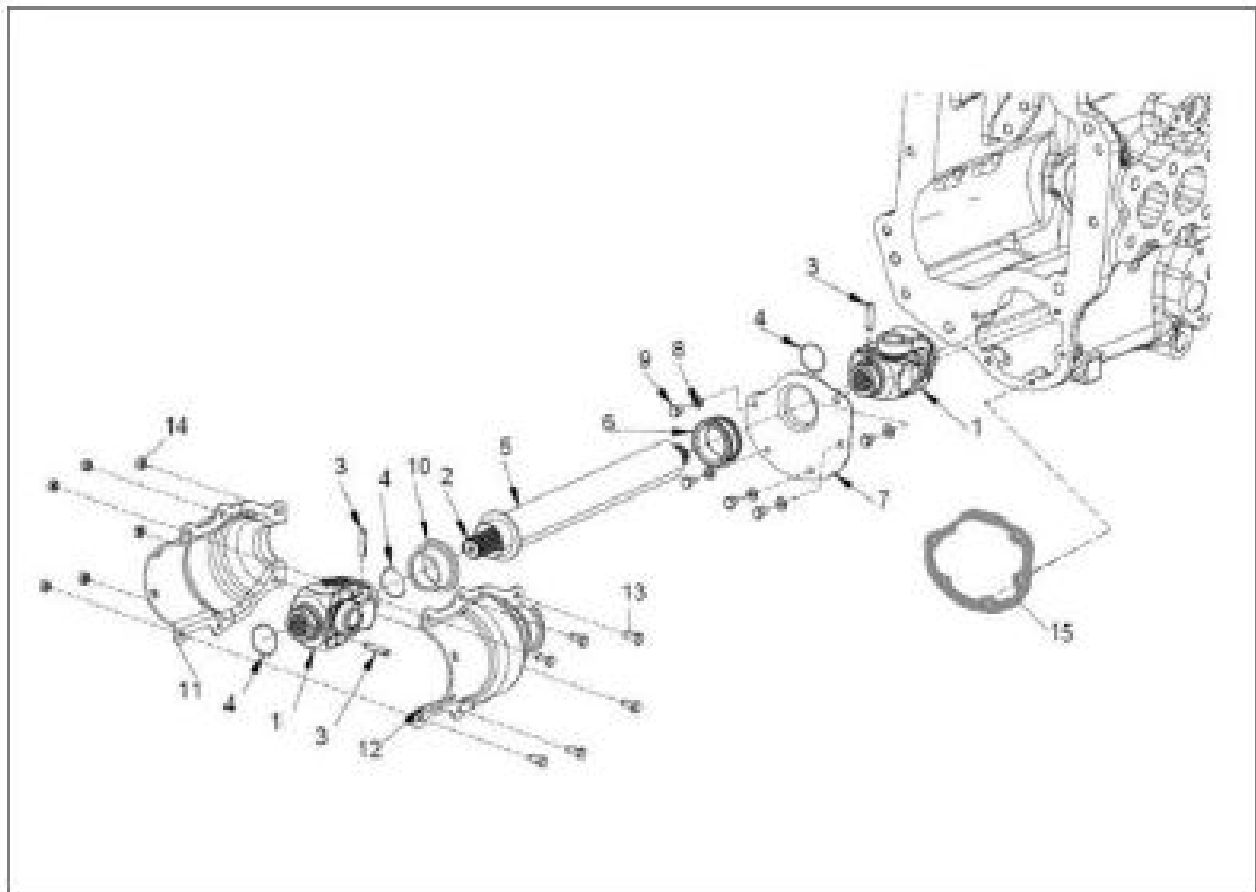
The first column "Sr.No" represents the serial number of items in the image i.e., the serial number of the part which you are searching for.

The second column "Part Code" represent the part number.

05150A-1-1

#### TRANSMISSION

#### TM-5\_FRONT AXLE PROPELLER SHAFT ASSY.



Sr.No	Part Code	Description	Qty	Int.	Cut Off	Remarks
1	10081016AA	SEEGER E16 UNI7435	1			
2	300309995A	SHAFT	1			
3	10081076AA	SCREW TE M8X55 U55 U5931 8G ZN	2			
4	10081077AA	SCREW TCEI M8X30 U59318G ZN	1			
5	10081078AA	POSITION LEVER	1			
6	10081060AA	LOCKERD8.1 DIN 7980	4			
7	10081079AA	SCREW TCEI M6X40 U5931 8G ZN	2			
8	10081080AA	SPRING	2			
9	10081081AA	OR 3043 D=10.77X2.62 SH 70/80	1			
10	300309996A	DRAFT LEVER WITH SHAFT	1			
11	10081083AA	FRICTION	2			
12	10081084AA	CLUTCH HUB	2			
13	10081085AA	OR D=20.24XT2.62 70/75SH	1			
14	10081086AA	COMMAND SUPPORT	1			
15	10081087AA	SCREW M8X25 UNI5931 8G	2			
16	10081070AA	FITTING M10X1	1			

The third column "**Description**" represent the part description i.e., name of the part.

The fourth column "**Qty.**" represents the quantity of the part used in that assembly.

The fifth column "**Interchangeability**" represents parts interchangeability concept.

The sixth column "**Cut off**" represents the chassis number of tractor from which part is used.

The seventh column "**Remarks**" represents the any special comment for that part.

### INTERCHANGEABILITY CONCEPT

As improvement is a continuous process in order to give the best performance for your tractor changes are done in the component. In order to facilitate our customer that whether the previous part can be replaced with the new one or not, nomenclature is done for this purpose.

e.g.

10002341AA

10002341AB

10002341AC

If the first alphabet of the part i.e. "A"(10002341AA) does not change and second alphabet change then as in part 10002341AB from "A" to "B" then the parts are interchangeable i.e. the latest revision means this is better version of the same part.

Also if the first alphabet of the part i.e. "A" (10002341AA) changes from "A" to "B" (10002341BA) then it means both cannot be interchanged whenever the first letter changes then interchangeability with the previous revision vanishes.

### HOW TO ORDER PARTS

When ordering parts, contact your nearest International Tractor Limited Stockiest /company giving them the following information:-

1. Your purchase order no. and date.
2. Complete address for sending the invoice G.R. and parts.
3. Tell how you want your parts to be sent (Transporter/courier /by hand)
4. Correct part number and description. Use this parts catalogue for reference.
5. Model and Serial number of tractor.

EVERY EFFORT IS MADE TO ENSURE THAT INFORMATION CONTAINED IN THIS SPARE PARTS CATALOGUE IS CORRECT BUT DUE TO CONTINUOUS DEVELOPMENTS, THE MANUFACTURER RESERVES THE RIGHT TO ALTER THE INFORMATION CONTAINED IN THIS CATALOGUE WITHOUT PRIOR NOTICE.



INDEX

SOLIS- 60 STAGE V

Sr.No	Assembly ID	Assembly Description	Agrigate
1	52120A-1-1	EN-5_PISTON CONNECTING ROD ASSY	ENGINE
2	56120A-1-1	EN-13_OIL PUMP ASSY	ENGINE
3	58120A-1-1	EN-14_TURBO CHARGER ASSY	ENGINE
4	50110A-1-1	EN-1_CRANKCASE	ENGINE
5	52110A-1-1	EN-2_CRANKSHAFT ASSY	ENGINE
6	51110A-1-1	EN-3_FRONT & REAR COVER	ENGINE
7	52130A-1-1	EN-4_FLYWHEEL ASSY	ENGINE
8	54110A-1-1	EN-6_CYLINDER HUB ASSY	ENGINE
9	57110A-1-1	EN-7_COMMON RAIL INJECTION	ENGINE
10	58130A-1-1	EN-8_EXHAUST ASSY	ENGINE
11	58140A-1-1	EN-9_EGR VALVE ASSY	ENGINE
12	53110A-1-1	EN-10_TIMMING GEAR ASSY.	ENGINE
13	56110A-1-1	EN-11_LUBRICATION SYSTEM & RELATED PARTS	ENGINE
14	50120A-1-1	EN-12_OIL PAN ASSY	ENGINE
15	55110A-1-1	EN-15_WATER AND HYDRAULIC PUMP ASSY ROPS	ENGINE
16	55111A-1-1	EN-16_WATER AND HYDRAULIC PUMP ASSY CABIN	ENGINE
17	59120A-1-1	EN-17_SENSORS (ENGINE)	ENGINE
18	04110A-1-1	CL-1_CLUTCH ASSY	CLUTCH
19	18121A-1-1	CL-2_CLUTCH AREA	CLUTCH
20	18120A-1-1	CL-3_CLUCTH PEDAL	CLUTCH
21	10190A-1-1	HY-1_HOUSING ASSY HYDRAULIC LIFT	HYDRAULICS
22	10200A-1-1	HY-2_CYLINDER ASSY HYDRAULIC LIFT	HYDRAULICS
23	10210A-1-1	HY-3_INTERNAL LEVER ASSY. HYDRAULIC LIFT	HYDRAULICS
24	10220A-1-1	HY-4_SUPPORT TOP LINK ASSY HYDRAULIC LIFT	HYDRAULICS
25	10230A-1-1	HY-5_CONTROL LEVER ASSY	HYDRAULICS
26	10240A-1-1	HY-6_POWER CONTROL VALVE ASSY	HYDRAULICS
27	10110A-1-1	HY-7_DELIVERY LINE (PUMP TO LIFT)	HYDRAULICS
28	10120A-1-1	HY-8_DELIVERY LINE WITH DCV	HYDRAULICS
29	10130A-1-1	HY-9_SUCTION LINE HYD LIFT	HYDRAULICS
30	10140A-1-1	HY-10_STEERING LINE ASSY	HYDRAULICS
31	10150A-1-2	HY-11-1_MID MOUNT	HYDRAULICS
32	10150A-2-2	HY-11-2_MID MOUNT	HYDRAULICS
33	10160A-1-2	HY-12-1_HTB ONLY	HYDRAULICS
34	10160A-2-2	HY-12-2_HTB ONLY	HYDRAULICS
35	10170A-1-2	HY-13-1_DATB LH	HYDRAULICS
36	10170A-2-2	HY-13-2_DATB LH	HYDRAULICS
37	10180A-1-2	HY-14-1_DATB RH	HYDRAULICS
38	10180A-2-2	HY-14-2_DATB RH	HYDRAULICS
39	11130A-1-1	HY-15_LIFTOMATIC ASSY	HYDRAULICS
40	11140A-1-1	HY-16_LIFTOMATIC ASSY	HYDRAULICS
41	21110A-1-1	HY-17_THREE POINT LINKAGE AREA	HYDRAULICS
42	21120A-1-1	HY-18_SWINGING DRAWBAR ASSY	HYDRAULICS
43	21130A-1-1	HY-19_THREE POINT LINKAGES FIXED TYPE	HYDRAULICS
44	21140A-1-1	HY-20_THREE POINT LINKAGES HOOK TYPE	HYDRAULICS
45	21150A-1-1	HY-21_THREE POINT LINKAGES TELESCOPIC TYPE	HYDRAULICS
46	21160A-1-1	HY-22_CUNA HITCH	HYDRAULICS
47	21170A-1-1	HY-23_AUTOMATIC PIN CLEVIS HITCH	HYDRAULICS

48	21180A-1-1	HY-24_EEC CLEVIS HITCH	HYDRAULICS
49	01110A-1-1	EA-1_EXHAUST UPDRAFT ROPS	ENGINE AUXILIARY
50	01120A-1-1	EA-2_EXHAUST UPDRAFT CABIN	ENGINE AUXILIARY
51	01130A-1-1	EA-3_EXHAUST DOWNDRAFT W/O LOADER	ENGINE AUXILIARY
52	01140A-1-1	EA-4_EXHAUST DOWNDRAFT WITH LOADER	ENGINE AUXILIARY
53	59110A-1-1	EA-5_STARTER & ALTERNATOR ROPS	ENGINE AUXILIARY
54	59111A-1-1	EA-6_STARTER & ALTERNATOR CABIN	ENGINE AUXILIARY
55	02120A-1-1	EA-7_RADIATOR ASSY ROPS	ENGINE AUXILIARY
56	02110A-1-1	EA-8_RADIATOR ASSY CABIN	ENGINE AUXILIARY
57	58110A-1-1	EA-9_AIR COMPRESSOR ASSY	ENGINE AUXILIARY
58	32310A-1-1	EA-10_COMPRESSOR	ENGINE AUXILIARY
59	03110A-1-1	EA-11_AIR CLEANER ASSY	ENGINE AUXILIARY
60	17110A-1-1	EA-12_FUEL TANK ASSY	ENGINE AUXILIARY
61	19110A-1-1	FA-1_STEERING CYLINDER FRONT AXLE	FRONT AXLE
62	19111A-1-1	FA-2_PLANET CARRIER LH/RH	FRONT AXLE
63	19112A-1-1	FA-3_WHEEL HUB LH/RH SUB ASSY	FRONT AXLE
64	19113A-1-1	FA-4_REDUCTION GEAR (PLANTERY GEAR)	FRONT AXLE
65	19114A-1-1	FA-5_WHEEL CARRIER- AXLE ASSY	FRONT AXLE
66	19115A-1-1	FA-6_WHEEL CARRIER LH/RH	FRONT AXLE
67	19116A-1-1	FA-7_UNIVERSAL JOINT ASSY	FRONT AXLE
68	19117A-1-1	FA-8_SWIVEL HOUSING LH/RH	FRONT AXLE
69	19118A-1-1	FA-9_BUSHES DOWELS LH/RH	FRONT AXLE
70	19119A-1-1	FA-10_FRONT AND REAR SUPPORT	FRONT AXLE
71	19120A-1-1	FA-11_DIFFERENTIAL WITH AXLE BEAM	FRONT AXLE
72	19121A-1-1	FA-12_CAGE ASSY	FRONT AXLE
73	19122A-1-1	FA-13_PINION ASSY	FRONT AXLE
74	20110A-1-1	FA-14_FRONT AXLE SYSTEM CABIN	FRONT AXLE
75	20111A-1-1	FA-15_FRONT AXLE SYSTEM ROPS	FRONT AXLE
76	20120A-1-1	FA-16_FRONT REMOVABLE WEIGHT	FRONT AXLE
77	23110A-1-1	ST-1_STEERING COLUMN	STEERING
78	08110A-1-1	RA-1_TRUMPET HOUSING LH/RH	REAR AXLE
79	05110A-1-1	TM-1_CLUTCH HOUSING ASSY	TRANSMISSION
80	05140A-1-1	TM-2_HIGH/LOW INTERMEDIATE SHAFT	TRANSMISSION
81	05120A-1-1	TM-3_PTO SHAFT ASSY	TRANSMISSION
82	07150A-1-1	TM-4_INPUT SHAFT ASSY	TRANSMISSION
83	07160A-1-1	TM-5_4WD SUB ASSY (FRONT PTO SHAFT)	TRANSMISSION
84	07140A-1-1	TM-6_DIFFERENTIAL SUB ASSY	TRANSMISSION
85	07130A-1-1	TM-7_TAIL PINION SHAFT	TRANSMISSION
86	07170A-1-1	TM-8_REVERSE SHIFTER ASSY (SHUTTLE)	TRANSMISSION
87	07180A-1-1	TM-9_PTO LEVER ASSY	TRANSMISSION
88	07120A-1-1	TM-10_DIFFERENTIAL CAGE SUB ASSY	TRANSMISSION
89	07110A-1-1	TM-11_DUAL PTO ASSY	TRANSMISSION

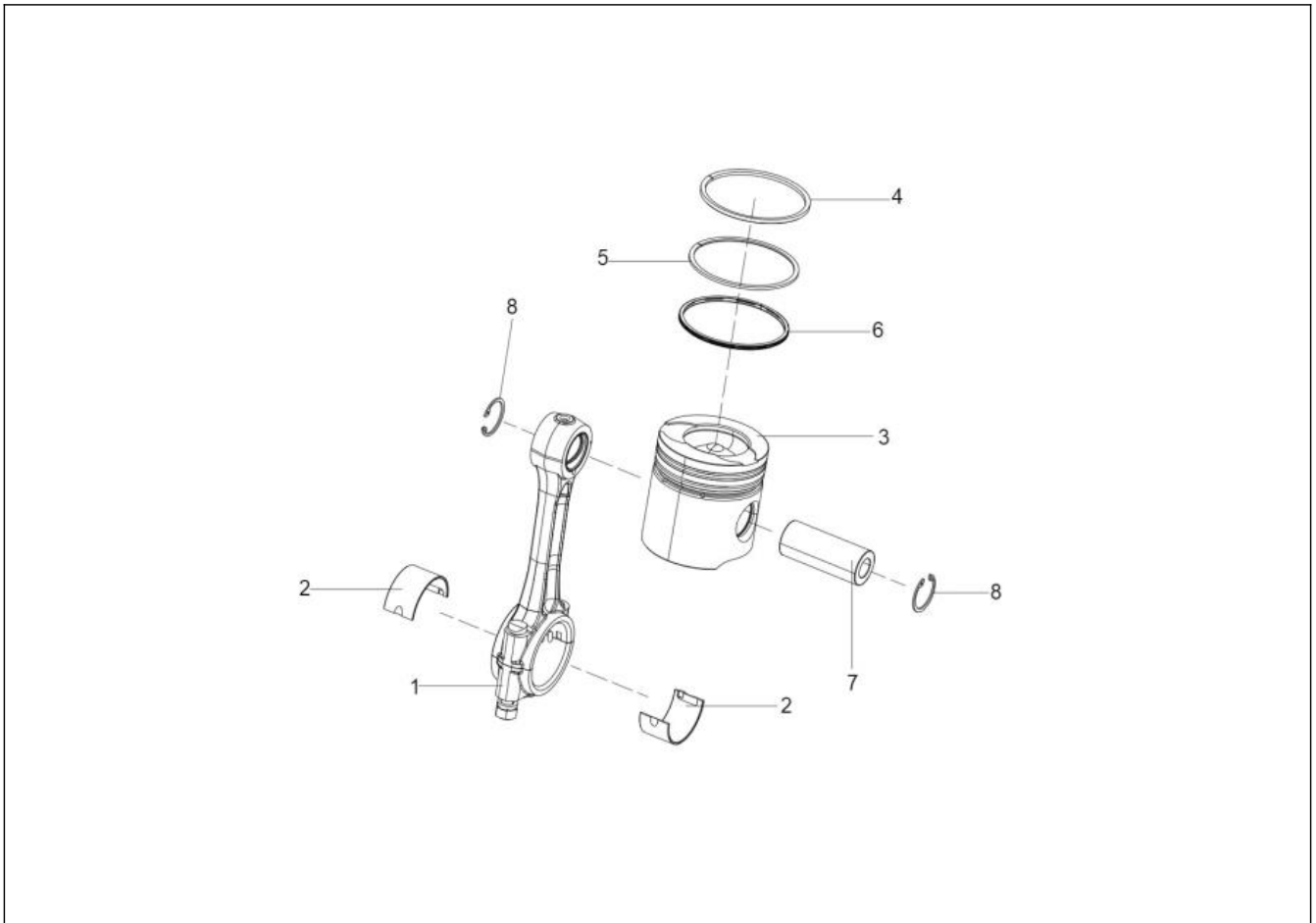
90	06130A-1-1	TM-12_REVERSE GEAR SUB ASSY	TRANSMISSION
91	05150A-1-1	TM-13_LAY SHAFT ASSY	TRANSMISSION
92	05130A-1-1	TM-14_DROP BOX SUB ASSY	TRANSMISSION
93	29111A-4-4	EL-1_ELECTRICAL ROPS	ELECTRICALS
94	29111A-6-6	EL-2_ELECTRICAL ROPS	ELECTRICALS
95	29111A-7-7	EL-3_ELECTRICAL ROPS	ELECTRICALS
96	29111A-1-1	EL-4_ELECTRICAL ROPS	ELECTRICALS
97	29111A-3-3	EL-5_ELECTRICAL ROPS	ELECTRICALS
98	29111A-2-2	EL-6_ELECTRICAL ROPS	ELECTRICALS
99	29111A-5-5	EL-7_ELECTRICAL ROPS	ELECTRICALS
100	29110A-4-4	EL-8_ELECTRICAL CABIN	ELECTRICALS
101	29110A-6-6	EL-9_ELECTRICAL CABIN	ELECTRICALS
102	29110A-7-7	EL-10_ELECTRICAL CABIN	ELECTRICALS
103	29110A-1-1	EL-11_ELECTRICAL CABIN	ELECTRICALS
104	29110A-3-3	EL-12_ELECTRICAL CABIN	ELECTRICALS
105	29110A-2-2	EL-13_ELECTRICAL CABIN	ELECTRICALS
106	29110A-5-5	EL-14_ELECTRICAL CABIN	ELECTRICALS
107	29110A-8-8	EL-15_ELECTRICAL CABIN	ELECTRICALS
108	09130A-1-1	EL-16_SENSOR (TRANSMISSION)	ELECTRICALS
109	15130A-1-1	SM-1_FRONT MESH	SHEET METAL & OPERATOR AREA
110	15120A-1-1	SM-2_BONNET ASSY ROPS	SHEET METAL & OPERATOR AREA
111	15110A-1-1	SM-3_BONNET ASSY CABIN	SHEET METAL & OPERATOR AREA
112	15140A-1-1	SM-4_BONNET BEADIING	SHEET METAL & OPERATOR AREA
113	12140A-1-1	SM-5_LIGHT MOUNTING AREA	SHEET METAL & OPERATOR AREA
114	32450A-1-2	SM-6-1_HEAT SHIELD CABIN	SHEET METAL & OPERATOR AREA
115	32450A-2-2	SM-6-2_HEAT SHIELD CABIN	SHEET METAL & OPERATOR AREA
116	14110A-1-1	SM-7_DASHBOARD ASSY ROPS	SHEET METAL & OPERATOR AREA
117	32170A-1-1	SM-8_DASHBOARD ASSY CABIN	SHEET METAL & OPERATOR AREA
118	24110A-1-1	SM-9_DRIVER SEAT ROPS	SHEET METAL & OPERATOR AREA
119	32150A-1-1	SM-10_BOOTS AND RINGS ASSY	SHEET METAL & OPERATOR AREA
120	14120A-1-1	SM-11_FLOOR/PLATFORM FRONT AREA	SHEET METAL & OPERATOR AREA

121	32420A-1-1	SM-12_REAR FLOOR ASSY	SHEET METAL & OPERATOR AREA
122	32490A-1-1	SM-13_MATT & HOLDING STRIP ASSY	SHEET METAL & OPERATOR AREA
123	13120A-1-1	SM-14_FOOT STEP ASSY RH	SHEET METAL & OPERATOR AREA
124	13121A-1-1	SM-15_FOOT STEP ASSY LH	SHEET METAL & OPERATOR AREA
125	13110A-1-1	SM-16_TOOL BOX	SHEET METAL & OPERATOR AREA
126	20130A-1-1	SM-17_BATTERY BOX	SHEET METAL & OPERATOR AREA
127	12150A-1-1	SM-18__MUDGUARD ASSY	SHEET METAL & OPERATOR AREA
128	12110A-1-1	SM-19_FENDER LH/RH ASSY	SHEET METAL & OPERATOR AREA
129	32470A-1-1	SM-20_OUTER FENDER LH CABIN	SHEET METAL & OPERATOR AREA
130	32480A-1-1	SM-21_OUTER FENDER RH CABIN	SHEET METAL & OPERATOR AREA
131	12120A-1-1	SM-22_SIDE CLADDING	SHEET METAL & OPERATOR AREA
132	12130A-1-1	SM-23_GRAB HANDLE	SHEET METAL & OPERATOR AREA
133	32400A-1-1	SM-24_LH CONSOLE	SHEET METAL & OPERATOR AREA
134	32410A-1-1	SM-25_REAR CONSOLE	SHEET METAL & OPERATOR AREA
135	32180A-1-1	SM-26_RH CONSOLE MTG ASSY	SHEET METAL & OPERATOR AREA
136	32430A-1-1	SM-27_RH CONSOLE	SHEET METAL & OPERATOR AREA
137	32550A-1-1	SM-28_GROMMET INSTALLATION	SHEET METAL & OPERATOR AREA
138	32270A-1-1	SM-29_FRONT INDICATOR LAMP	SHEET METAL & OPERATOR AREA
139	32280A-1-1	SM-30_REVOLVING LIGHT	SHEET METAL & OPERATOR AREA
140	30110A-1-1	SM-31_ROPS	SHEET METAL & OPERATOR AREA

141	25110A-1-4	AC-1-4_STICKERS	DECALS & ACCESSORIES
142	25110A-2-4	AC-2-4_STICKERS	DECALS & ACCESSORIES
143	25110A-3-4	AC-3-4_STICKERS	DECALS & ACCESSORIES
144	25110A-4-4	AC-4-4_STICKERS	DECALS & ACCESSORIES
145	31110A-1-1	AC-2_ACCESSORIES	DECALS & ACCESSORIES
146	09110A-1-1	BC-1_BRAKE SUB ASSY	BRAKES & CONTROLS
147	09120A-1-1	BC-2_BRAKE ACTUATION LINKAGE	BRAKES & CONTROLS
148	18110A-1-1	BC-3_BRAKE PEDAL	BRAKES & CONTROLS
149	18130A-1-1	BC-4_PARKING BRAKE ASSY	BRAKES & CONTROLS
150	32510A-1-3	BC-5_DATB BRAKE	BRAKES & CONTROLS
151	32510A-2-3	BC-6_DATB BRAKE	BRAKES & CONTROLS
152	32510A-3-3	BC-7_DATB BRAKE	BRAKES & CONTROLS
153	32330A-1-1	BC-8_PTO LEVER ASSY	BRAKES & CONTROLS
154	06110A-1-1	BC-9_SHIFTER FORKS	BRAKES & CONTROLS
155	06120A-1-1	BC-10_SHIFTER HOUSING SUB ASSY	BRAKES & CONTROLS
156	11110A-1-1	BC-11_PC/DC LEVER ASSY	BRAKES & CONTROLS
157	11120A-1-1	BC-12_PC/DC LEVER MTG ASSY	BRAKES & CONTROLS
158	16110A-1-1	BC-13_IPTO ASSY	BRAKES & CONTROLS
159	16120A-1-1	BC-14_IPTO LEVER AREA	BRAKES & CONTROLS
160	32130A-1-1	BC-15_540 & 540E LEVER	BRAKES & CONTROLS
161	32140A-1-1	BC-16_540E LEVER	BRAKES & CONTROLS
162	32340A-1-1	BC-17_FORWARD/REVERSE LEVER ASSY	BRAKES & CONTROLS
163	32350A-1-1	BC-18_DIFFERENTIAL LOCK ASSY	BRAKES & CONTROLS
164	32360A-1-1	BC-19_RANGER LEVER ASSY	BRAKES & CONTROLS
165	32370A-1-1	BC-20_DCV LEVER	BRAKES & CONTROLS
166	32380A-1-1	BC-21_PARKING LEVER ASSY	BRAKES & CONTROLS
167	32390A-1-1	BC-22_JOYSTICK ASSY	BRAKES & CONTROLS
168	32440A-1-1	BC-23_SHUTTLE LEVER ASSY	BRAKES & CONTROLS
169	22110A-1-1	BC-24_HAND THROTTLE ASSY	BRAKES & CONTROLS

170	32110A-1-1	BC-25-1_4 WHEEL DRIVE ASSY	BRAKES & CONTROLS
171	32120A-1-1	BC-25-2_4WHEEL DRIVE ASSY	BRAKES & CONTROLS
172	32520A-1-1	BC-26_GEAR LEVER ASSY	BRAKES & CONTROLS
173	32530A-1-1	BC-27_DIFF LOCK ACTUATION	BRAKES & CONTROLS
174	32540A-1-1	BC-28_ BRAKE ASSY	BRAKES & CONTROLS
175	06140A-1-1	BC-29_SHIFTER HOUSING LEVER ASSY	BRAKES & CONTROLS
176	27110A-1-1	WH-1_FRONT WHEEL	WHEELS
177	28110A-1-1	WH-2_REAR WHEEL	WHEELS
178	32500A-1-1	CB-1_DRIVER SEAT	CABIN
179	32160A-1-1	CB-2_CABIN MOUNTING BKT	CABIN
180	32190A-1-1	CB-3_OSRVM MTG	CABIN
181	32200A-1-3	CB-4-1_CANOPY AND HEADLINER ASSY	CABIN
182	32200A-2-3	CB-4-2_CANOPY AND HEADLINER ASSY	CABIN
183	32200A-3-3	CB-4-3_CANOPY AND HEADLINER ASSY	CABIN
184	32210A-1-1	CB-5_REAR GLASS ASSY	CABIN
185	32220A-1-1	CB-6_QUARTER GLASS ASSY LH	CABIN
186	32230A-1-1	CB-7_QUARTER GLASS ASSY RH	CABIN
187	32240A-1-1	CB-8_FRONT GLASS	CABIN
188	32250A-1-1	CB-9_DOOR GLASS LH	CABIN
189	32260A-1-1	CB-10_DOOR GLASS RH	CABIN
190	32290A-1-2	CB-11-1_HVAC	CABIN
191	32290A-2-2	CB-11-2_HVAC	CABIN
192	32300A-1-1	CB-11-3_HVAC	CABIN
193	32320A-1-1	CB-12_TRIMS	CABIN
194	32460A-1-1	CB-13_WASHER TANK	CABIN

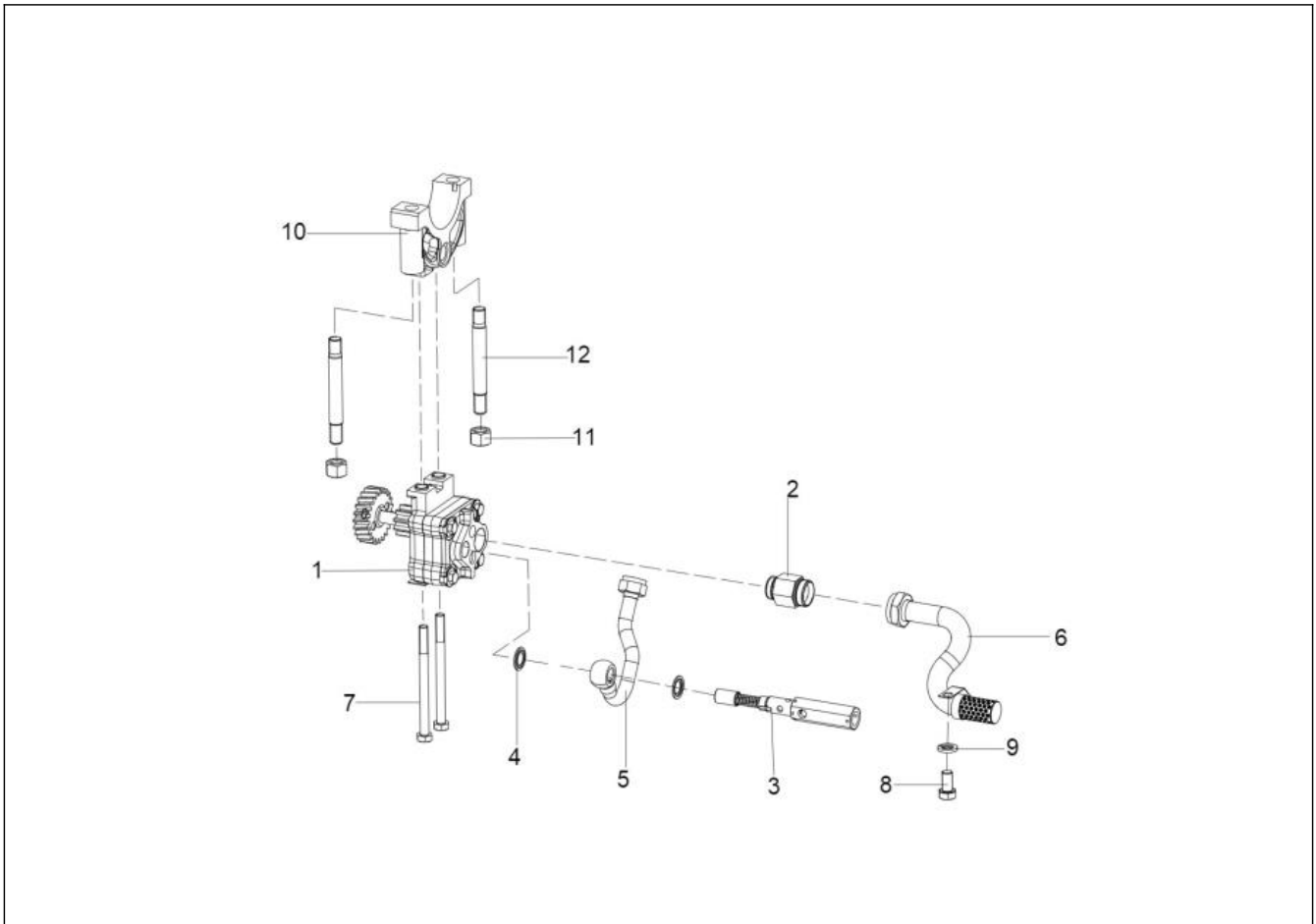
ENGINE  
EN-5\_PISTON CONNECTING ROD ASSY





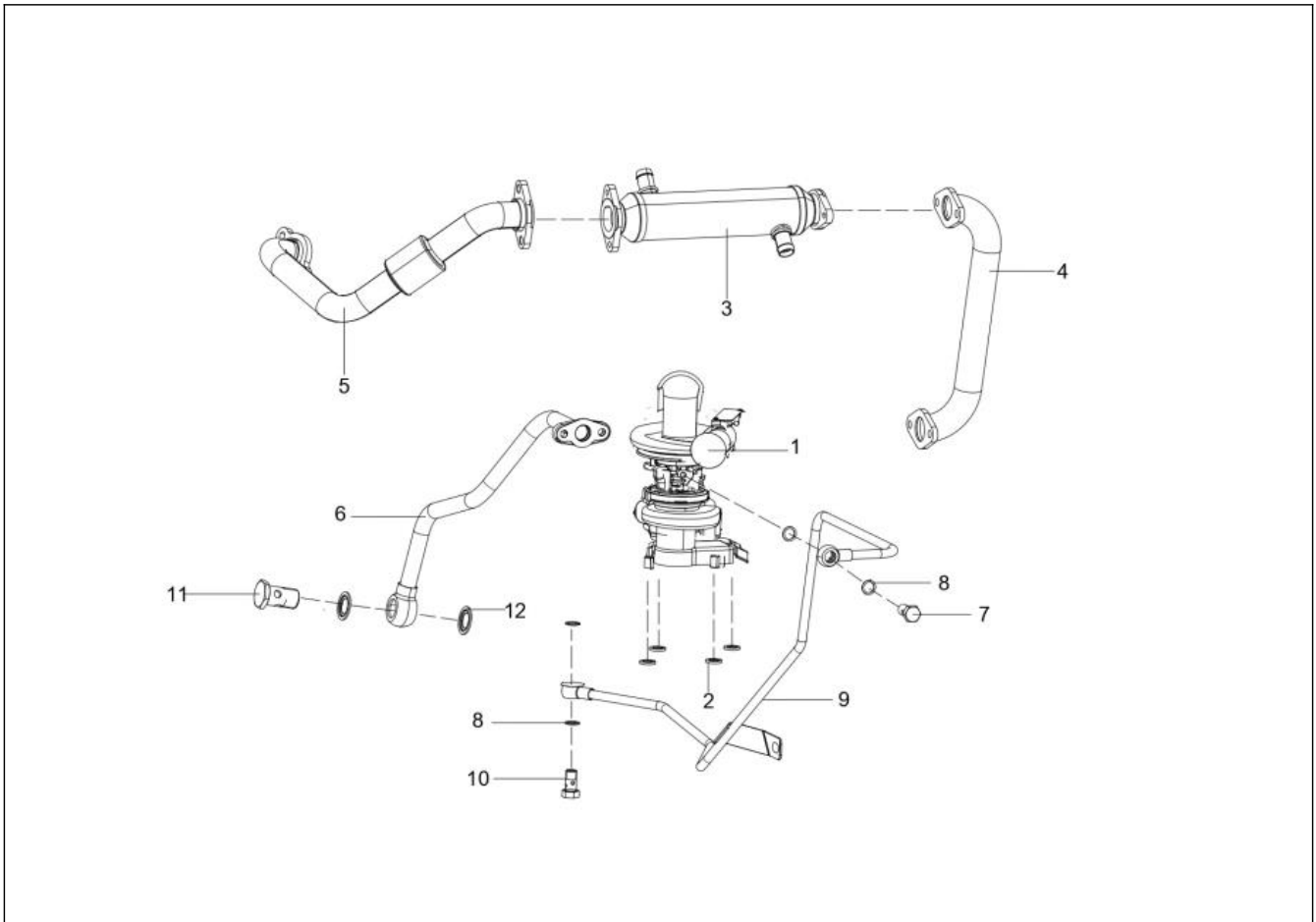
Sr.No	Part Code	Description	Qty	Int.	Cut Off	Remarks
1	803403014J	CONNECTING ROD ASSY. (&#216;100,102,105)	1			
2	703403322A	BIG-END LINER_CONN. ROD (LEAD FREE)	2			
3	903403093A	PISTON &#216;105 (C R_16.4)	1			
4	903403028A	PISTON RING-1ST.&#216;105	1			
5	703403317A	TAPER FACED COMP. RING- 2ND.-&#216;105_CRDI	1			
6	903403030B	PISTON RING-3RD. DIA.105	1			
7	703403033A	PISTON PIN_&#216;35X85	1			
8	04020100035	INTERNAL CIRCLIP B-35 (FOR 95,100,102)	2			

ENGINE  
EN-13\_OIL PUMP ASSY



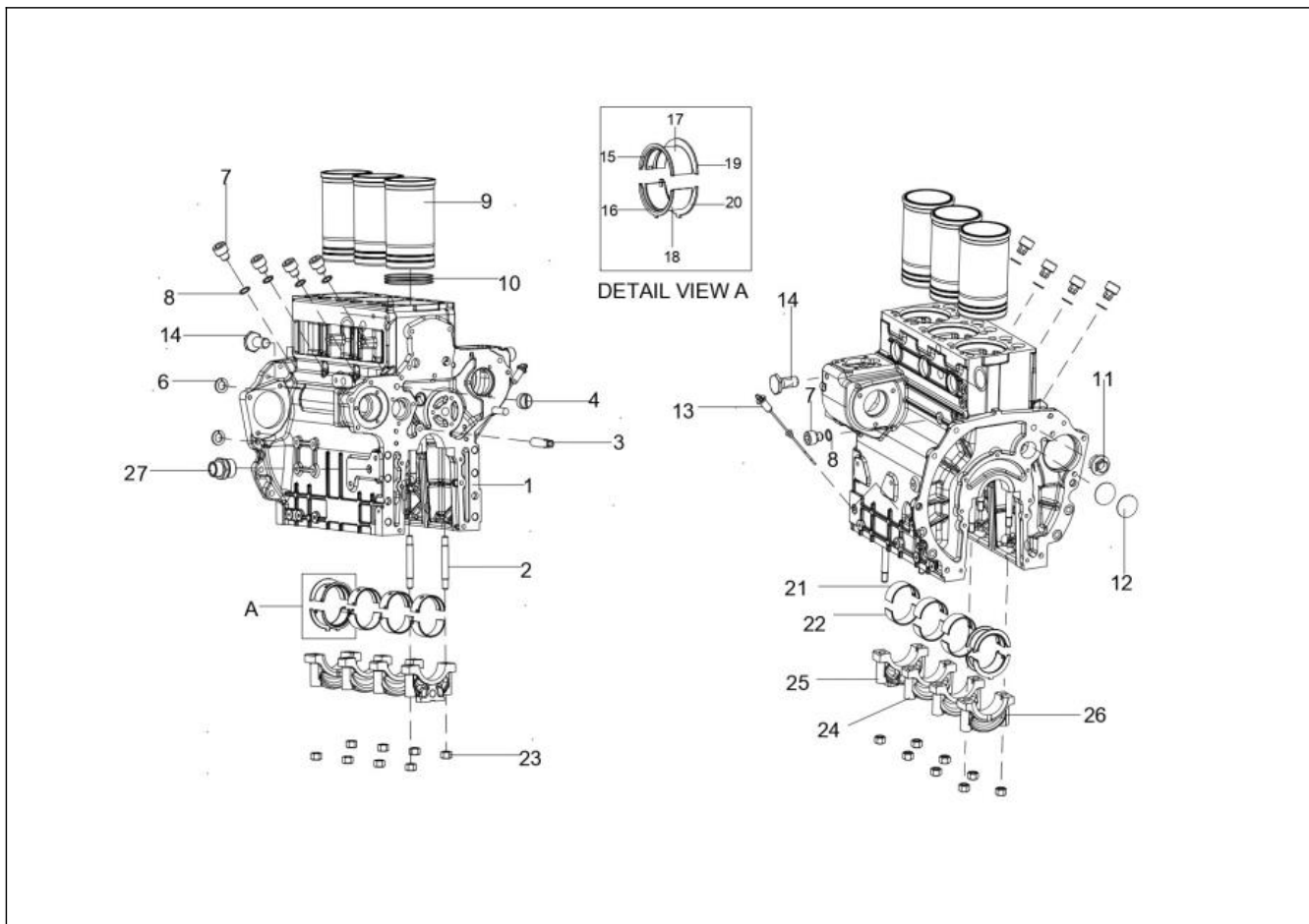
Sr.No	Part Code	Description	Qty	Int.	Cut Off	Remarks
1	803007004C	LUB. OIL PUMP ASSY. (3 CYL.).	1			
2	703407025A	NECK FOR SCREWING IN	1			
3	800407003B	REDUCTION VALVE ASSY.	1			
4	10012573AA	BONDED SEAL FOR M18	2		3100FLU24H120 9918	INTERCHANGEABLE WITH 300346249A
5	803007068B	DELIVERY PIPE ASSY. (3 CYL.) 4X4	1			
6	300034503B	SUCTION STRAINER (3CYL) H.A.	1			
7	20005594AA	HEX HEAD BOLT M10X130_8.8 SA4GS	2			
8	20005559AA	HEX HEAD SCREW M8X1.25X16 -8.8 SA4GS	1			
9	20005517AA	SPRING WASHER B-8 TYPE A IS:3067-1972	1			
10	300191325A	FRONT BEARING CAP	1			
11	703401005B	NUT M14X1.5	2			
12	703401004B	BEARING CAP STUD	2			

ENGINE  
EN-14\_TURBO CHARGER ASSY



Sr.No	Part Code	Description	Qty	Int.	Cut Off	Remarks
1	300125499A	TURBO CUMMINS 3 CYLINDER	1			
2	20005517AA	SPRING WASHER B-8 TYPE A IS:3067-1972	4			
3	300061954A	EGR COOLER 8KW POONA SHIM	1			
4	300114222C	PIPE EXHAUST MANIFOLD TO EGR COOLER	1			
5	300175215A	PIPE ASSY EGR COOLER TO VALVEC 3 CYL	1			
6	300003206B	TURBO LUB PIPE OUTLET 58HP CRDI	1			
7	04080101006	BANJO BOLT B6 (M10X1)	1			
8	04030210014	SEALING RING 10/13.5X1- CU	4			
9	300127096C	PIPE TURBO LUBE OIL INLET	1			
10	903405028A	BANJO BOLT M10X1.25	1			
11	703402009A	BANJO SCREW B13 - M18 X 1.50 - 6G	1			
12	10012573AA	BONDED SEAL FOR M18	2		3100FLU24H120 9918	INTERCHANGEABLE WITH 300346249A

ENGINE  
EN-1\_CRANKCASE



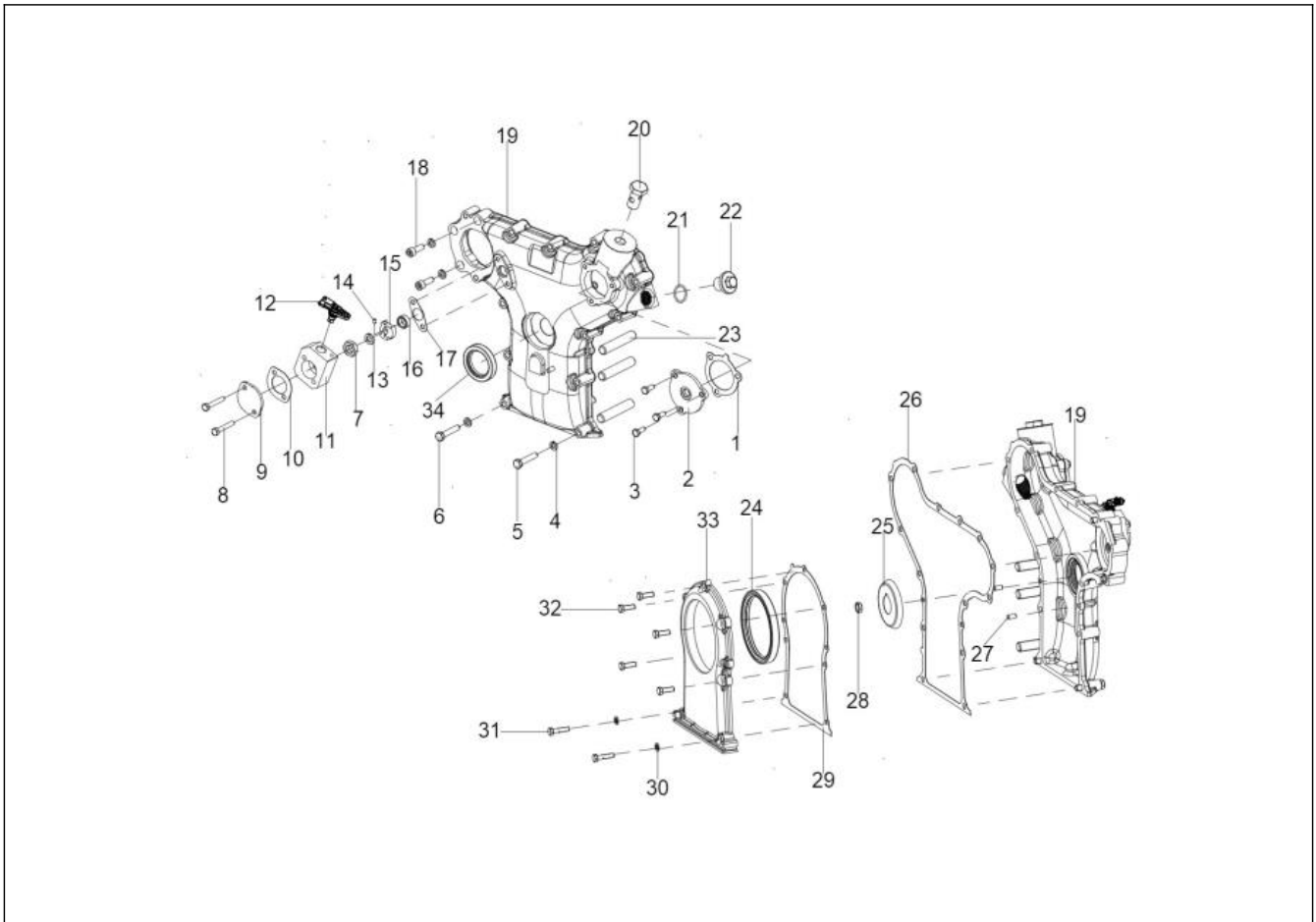
Sr.No	Part Code	Description	Qty	Int.	Cut Off	Remarks
1	300119962A	CRANK CASE 3CYL-A.COMP STAGE V	1			
2	703401004B	BEARING CAP STUD	8			
3	703401018A	VALVE GEAR LUBRICATION BOLT(M10)	1			
4	703401014A	PLUG WITH GROOVE (M18X1.5)	1			
6	04031400010	HELICAL SPRING LOCK WASHER 10 AC SA2JD	2			
7	903401027A	SOCKET HEAD SCREW M10 X 1.0 -CRANK CASE	5			
8	04030210014	SEALING RING 10/13.5X1- CU	5			
9	703401098C	CYLINDER LINER (&#216;105)	3			
10	703401087B	CYLINDER LINER SEALING- NBR (&#216;105)	9			
11	703401015A	OIL CHANNEL PLUG (M18X1.5)	1			
12	703404044A	DISC PLUG (&#216;55)	2			
13	300167448B	OIL INDICATOR 3 CYL	1			
14	703401019A	SUSPENSION SCREW (OR LOCK BOLT)	2			
15	703401138A	THRUST BEARING (TOP-1) LEAD FREE	1			
16	703401139A	THRUST BEARING (BOTTOM- 1) LEAD FREE	1			
17	703401144A	BEARING LINER &#216;76 (REAR TOP) LEAD FREE	1			
18	703401145A	BEARING LINER &#216;76(REAR-BOTTOM) LEAD FREE	1			
19	703401140A	THRUST BEARING (TOP-2) LEAD FREE	1			
20	703401141A	THRUST BEARING (BOTTOM- 2) LEAD FREE	1			
21	703401142A	BEARING LINER &#216;76 (TOP) LEAD FREE	3			
22	703401143A	BEARING LINER &#216;76 (BOTTOM) LEAD FREE	3			
23	703401005B	NUT M14X1.5	8			
24	300191335A	CENTRE BEARING CAP	2			
25	300191325A	FRONT BEARING CAP	1			
26	300191331A	REAR BEARING CAP	1			
27	703407015A	CONNECTION (M18X1.5)	1			





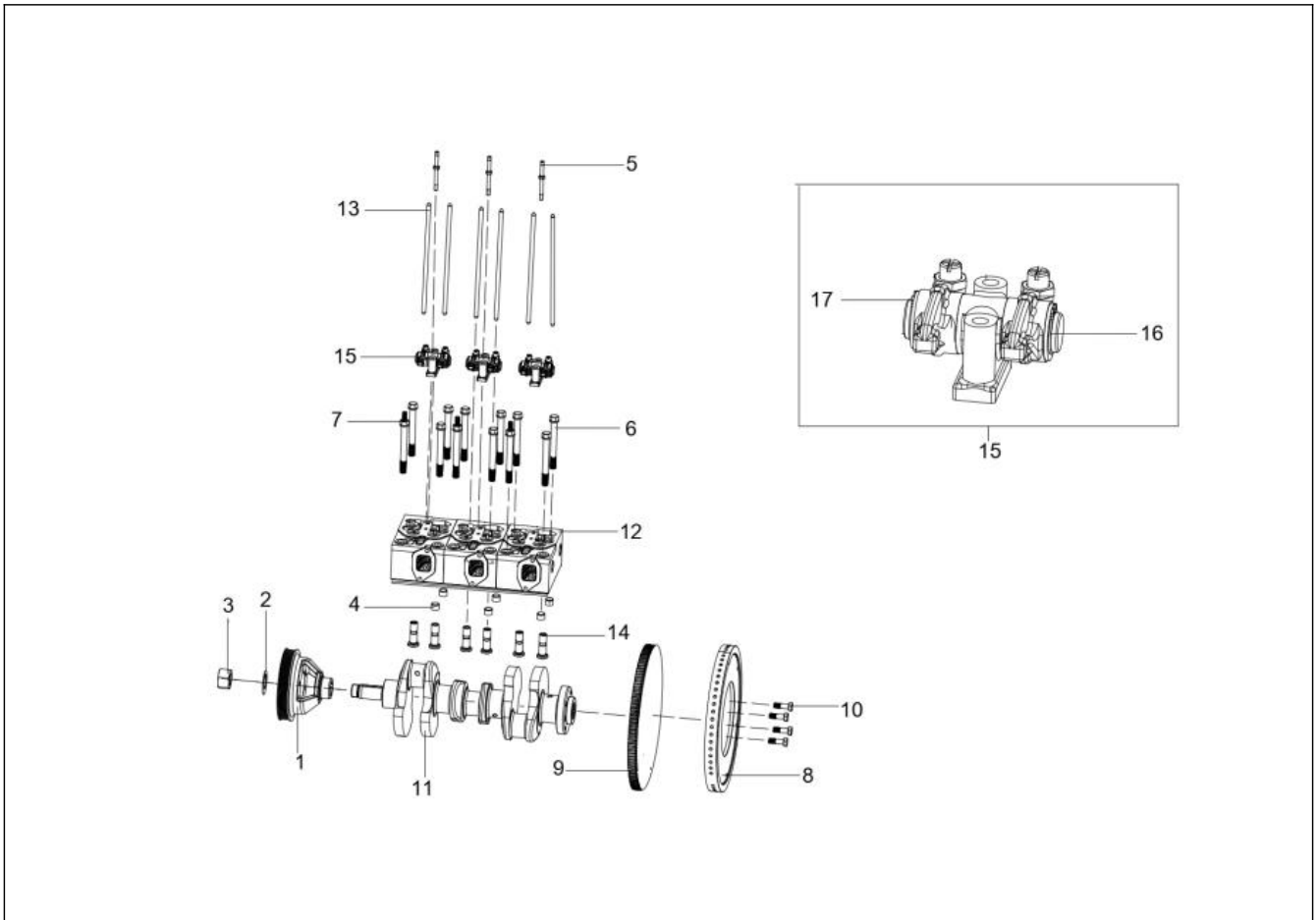
Sr.No	Part Code	Description	Qty	Int.	Cut Off	Remarks
1	903003040J	CRANK SHAFT 3CYL. INTG.- FL(COMMON)39CR5	1			
2	703403265B	TIMING GEAR &#216;35	1			
3	04020200017	CIRCLIP A17	1			
4	04050210055	KEY A 10H9X8X55	1			
5	04000417040	RADIAL B/BEARING 17/40X12 (6203ZZ)	1			
6	703401138A	THRUST BEARING (TOP-1) LEAD FREE	1			
7	703401139A	THRUST BEARING (BOTTOM- 1) LEAD FREE	1			
8	703401140A	THRUST BEARING (TOP-2) LEAD FREE	1			
9	703401141A	THRUST BEARING (BOTTOM- 2) LEAD FREE	1			
10	703401142A	BEARING LINER &#216;76 (TOP) LEAD FREE	3			
11	703401143A	BEARING LINER &#216;76 (BOTTOM) LEAD FREE	3			
12	703401144A	BEARING LINER &#216;76 (REAR TOP) LEAD FREE	1			
13	703401145A	BEARING LINER &#216;76(REAR-BOTTOM) LEAD FREE	1			
14	703404014A	INTERMEDIATE GEAR PIN (&#216;17) FOR B.I.G.	1			
15	803404007C	BOTTOM INTERMEDIATE GEAR (90 HP)	1			
16	04000217040	RADIAL B/BEARING 17/40X12(6203-ZZ)	1			
17	703404016A	INTERMEDIATE GEAR PAD &#216;17 (FOR B.I.G.)	2			
18	300191325A	FRONT BEARING CAP	1			
19	04020100040	INTERNAL CIRCLIP B-40	1			

ENGINE  
EN-3\_FRONT & REAR COVER



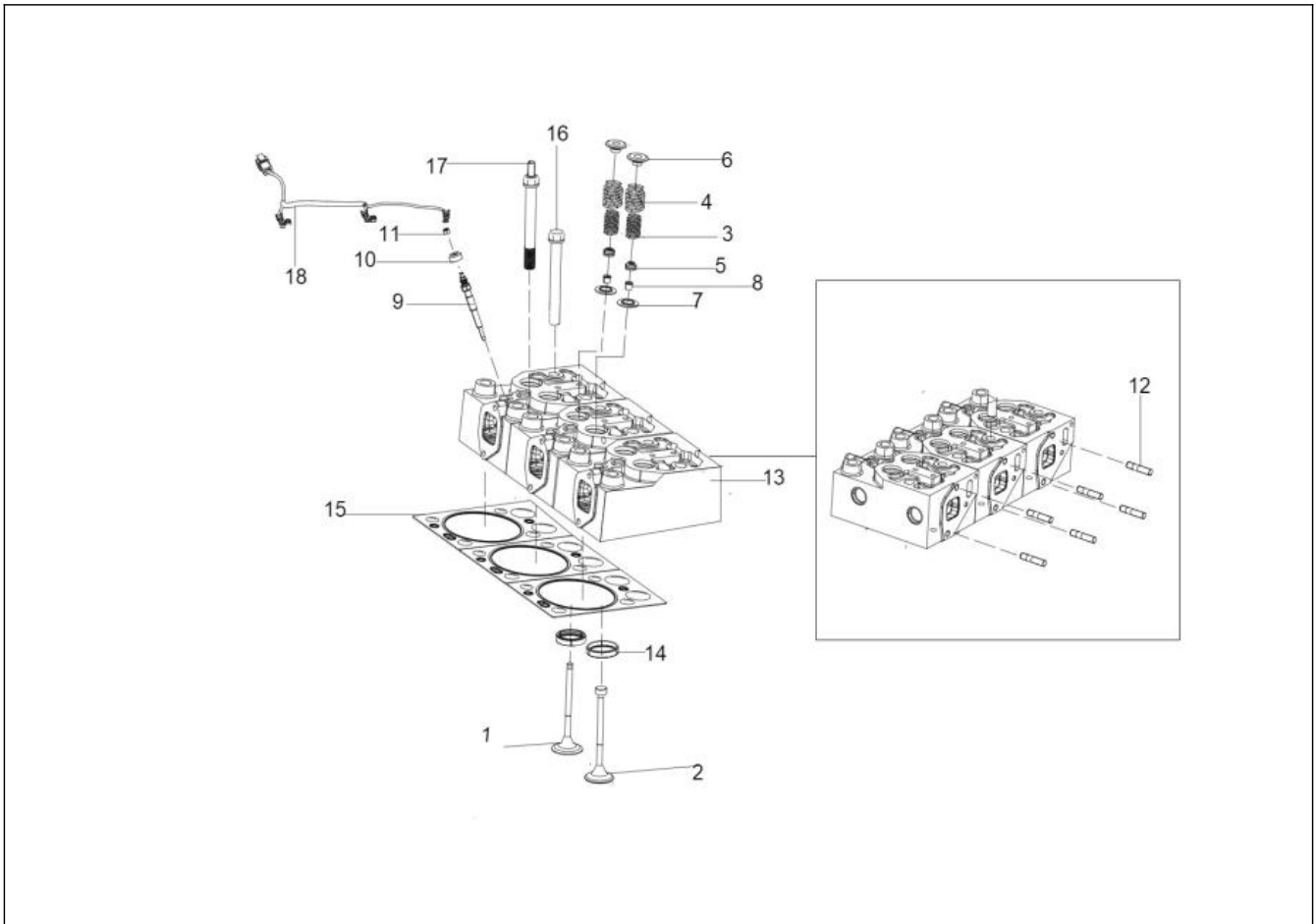
Sr.No	Part Code	Description	Qty	Int.	Cut Off	Remarks
1	703402231A	GASKET (COVER-FRONT COVER) NON ASB.	1			
2	703002156B	COVER (F.COVER-C.I) TURBO_PS	1			
3	20005565AA	HEX HEAD SCREW M8X1.25X20 -8.8 SA4GS	3			
4	04031400010	HELICAL SPRING LOCK WASHER 10 AC SA2JD	10			
5	20005595AA	HEX HEAD BOLT M10X50_8.8 SA4GS	10			
6	703402093A	FRONT OIL SEAL (VITON)	1			
7	20005580AA	HEX LOCK NUT M18X1.5 8 SA4GS	1			
8	20005593AA	HEX HEAD SCREW M8X1.25 - 50 8.8 SA4GS	2			
9	900404046B	COVER PLATE FOR HSG	1			
10	900404045B	GASKET_HSG. PLATE (CRDI)	1			
11	900404043B	HOUSING CAM SENSOR	1			
12	800408169A	PHASE SENSOR (0 281 006 143)	1			
13	20004993AB	SPRING WASHER B-12TYPE-A IS:3063-1972	1			
14	903402106A	DOWEL PIN (&#216;5)	1			
15	900404044B	3-TOOTH TRIGGER WHEEL (CRDI)	1			
16	903402105A	HOLLOW DOWEL SLEEVE (&#216;24)	1			
17	903402107B	GASKET (CAM SENSOR HSG.)	1			
18	04040310030	HEX.SOCKET HEAD CAP SCREW M10X30	3			
19	703402272B	FRONT COVER (CI) OIL FILLING/CCV OPTION	1			
20	04080101018	BANJO BOLT-B18 (M22X1.5)	1			
21	703402275A	`O RING FOR PLUG M26X1.5	1			
22	703402274B	PLUG_M26X1.5 (FRONT COVER_OIL FILLING)	1			
23	703401137B	STUD M18X65	6			
24	703402030B	MAIN OIL SEAL_(REAR)	1			
25	703403013A	FRONT OIL SPLASH GUARD	1			
26	703402213A	GASKET (FRONT COVER-CI) NON ASB.	1			
27	04010208014	CYLINDRICAL PIN 8M6X14	2		3100NL24B1142 610F33	INTERCHANGEABLE WITH 200005331A
28	20005581AA	HEX LOCK NUT M12X1.5 (TRIVALENT)	1			
29	703402216A	GASKET (REAR COVBER) NON ASB.	1			
30	20005517AA	SPRING WASHER B-8 TYPE A IS:3067-1972	2			
31	20005597AA	HEX HEAD BOLT M8X35_8.8 SA4GS	2			
32	20005564AA	HEX HEAD SCREW M8X1.25-25 -8.8 SA4GS	5			
33	703402264C	REAR COVER (ALMN.) WITH GROOVE	1			

ENGINE  
EN-4\_FLYWHEEL ASSY



Sr.No	Part Code	Description	Qty	Int.	Cut Off	Remarks
1	300084731C	PULLEY CRANKSHAFT	1			
2	703403047B	LOCKING WASHER	1			
3	703403048A	NUT(CLAW) M32X1.5	1			
4	703405056B	HOLLOW DOWEL SLEEVE	6			
5	703405112B	ROCKER ARM SUPPORT STUD	3			
6	703405061D	CYLINDER HEAD BOLT	9			
7	703405062D	CYLINDER HEAD BOLT (SPL.)	3			
8	300179782A	FLYWHEEL CRDI 11 " ; CLUTCH	1			
9	703403019C	RING GEAR (FLY WHEEL)	1			
10	703403020D	FLY-WHEEL BOLT	4			
11	903003040J	CRANK SHAFT 3CYL. INTG.- FL(COMMON)39CR5	1			
12	300174956B	CYLINDER HEAD WITH GLOW PLUG	3			
13	703404135A	PUSH ROD ASSY. (L-303.5- &#216;9.5)	6			
14	723404116E	TAPPET MASHROOM (&#216;18)	6			
15	803405032D	ROCKER ARM BKT. ASSY. (COMMON)	2			
16	703405054A	PLAIN WASHER	2			CHILD PART OF S.NO 15
17	04020200022 A	EXTERNAL CIRCLIP A-22	2			CHILD PART OF S.NO 15

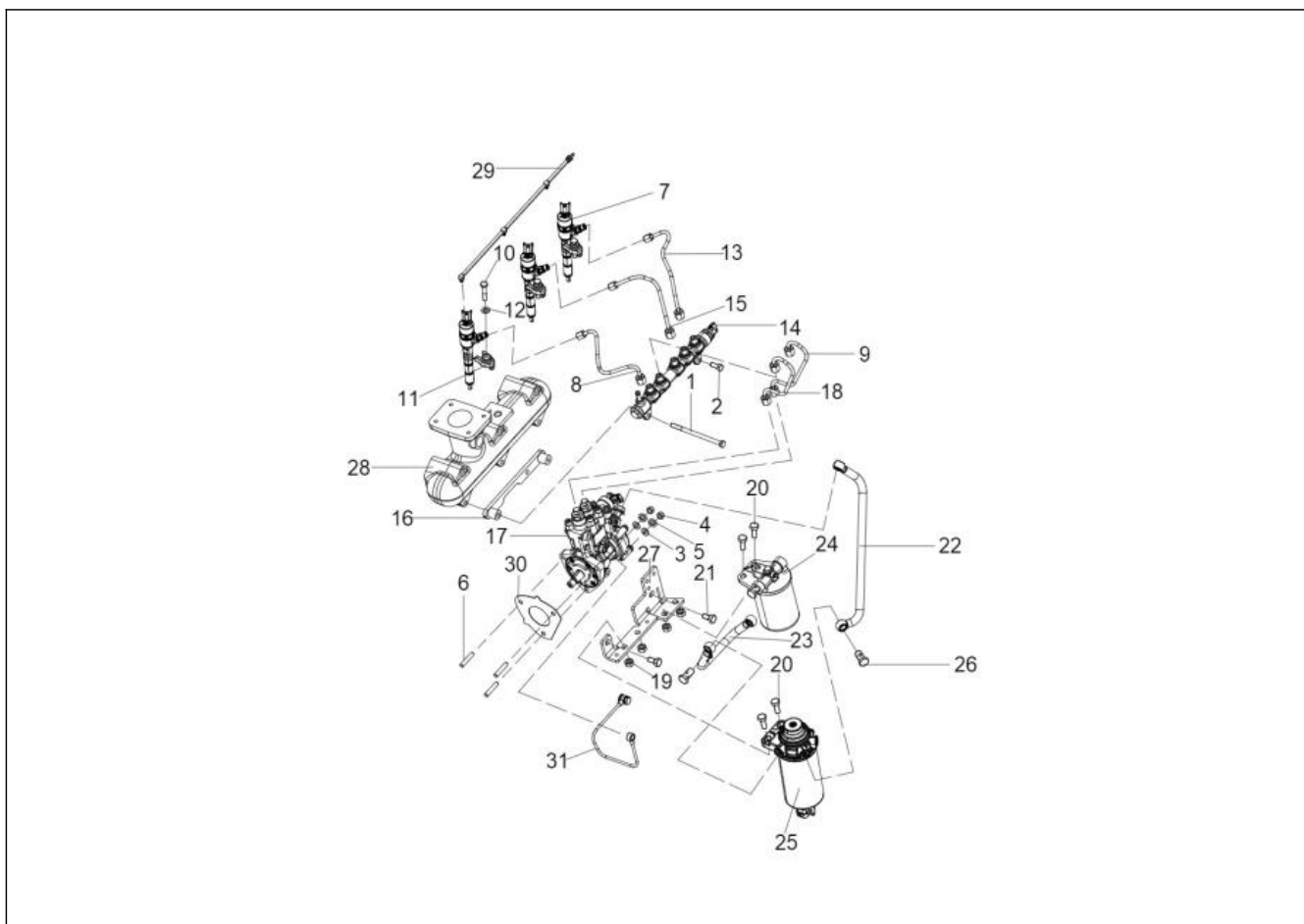
ENGINE  
EN-6\_CYLINDER HUB ASSY





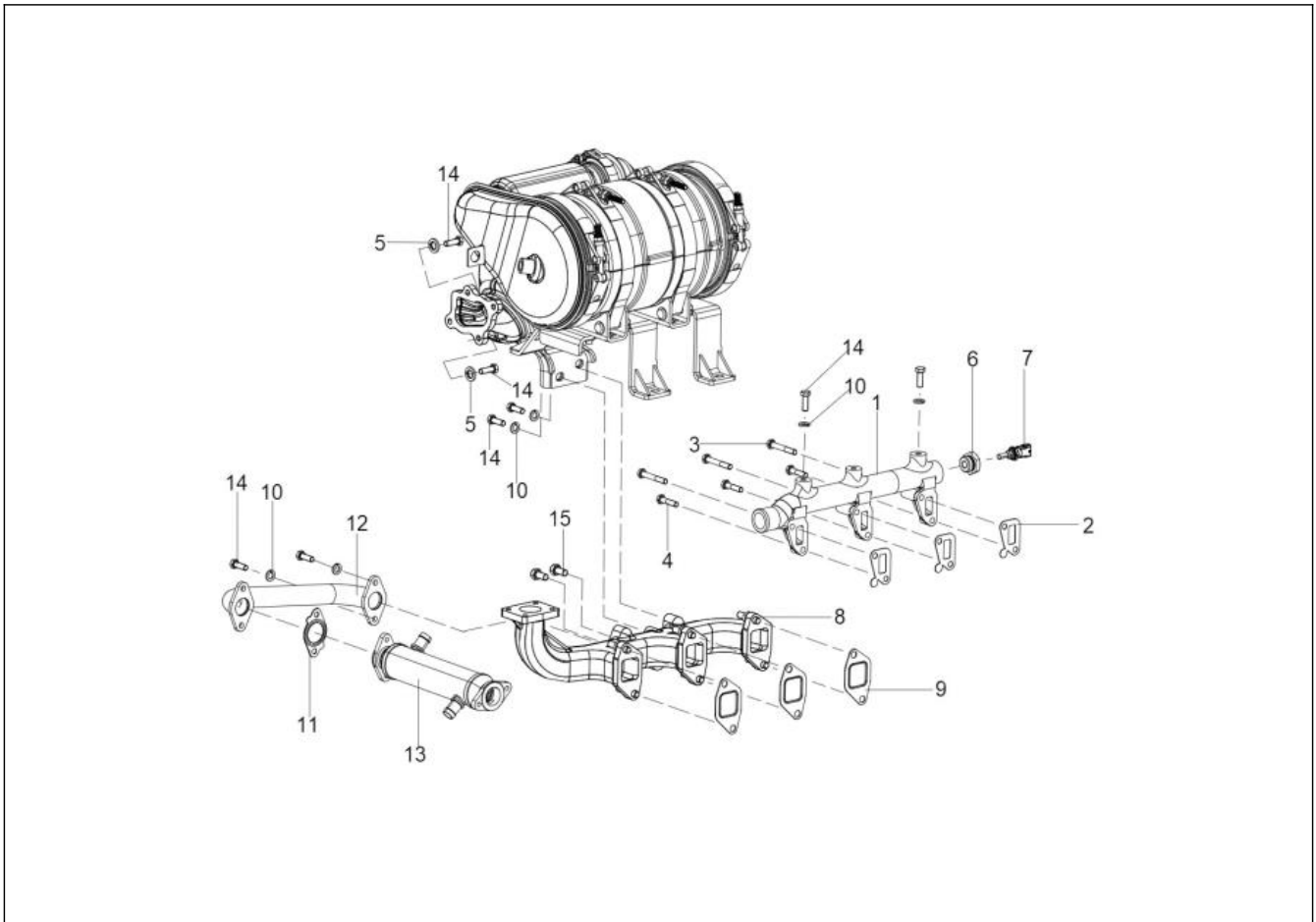
Sr.No	Part Code	Description	Qty	Int.	Cut Off	Remarks
1	703405167A	INLET VALVE (FOR DIA 105)	3			
2	703405168A	EXHAUST VALVE (FOR DIA 105)	3			
3	703405045A	VALVE INNER SPRING	6			
4	703405046A	VALVE OUTER SPRING	6			
5	703405042A	VALVE OIL SEAL	6			
6	703405047B	UPPER VALVE SPRING RETAINER	6			
7	703405041A	LOWER VALVE SPRING RETAINER	6			
8	703405048A	VALVE COTTER	6			
9	300168108A	GLOW PLUG SMALL	3			
10	300169666A	CUP RUBBER	3			
11	20005616AA	HEX NYLOC NUT	3			
12	04041410030	STUD-C M10X30	6			
13	300174956B	CYLINDER HEAD WITH GLOW PLUG	3			
14	703405056B	HOLLOW DOWEL SLEEVE	6			
15	703405378A	GASKET_CYLINDER HEAD (TC) NRT	3			
16	703405061D	CYLINDER HEAD BOLT	9			
17	703405062D	CYLINDER HEAD BOLT (SPL.)	3			
18	300173299B	HARNESS GLOW PLUG	1			

ENGINE  
EN-7\_COMMON RAIL INJECTION



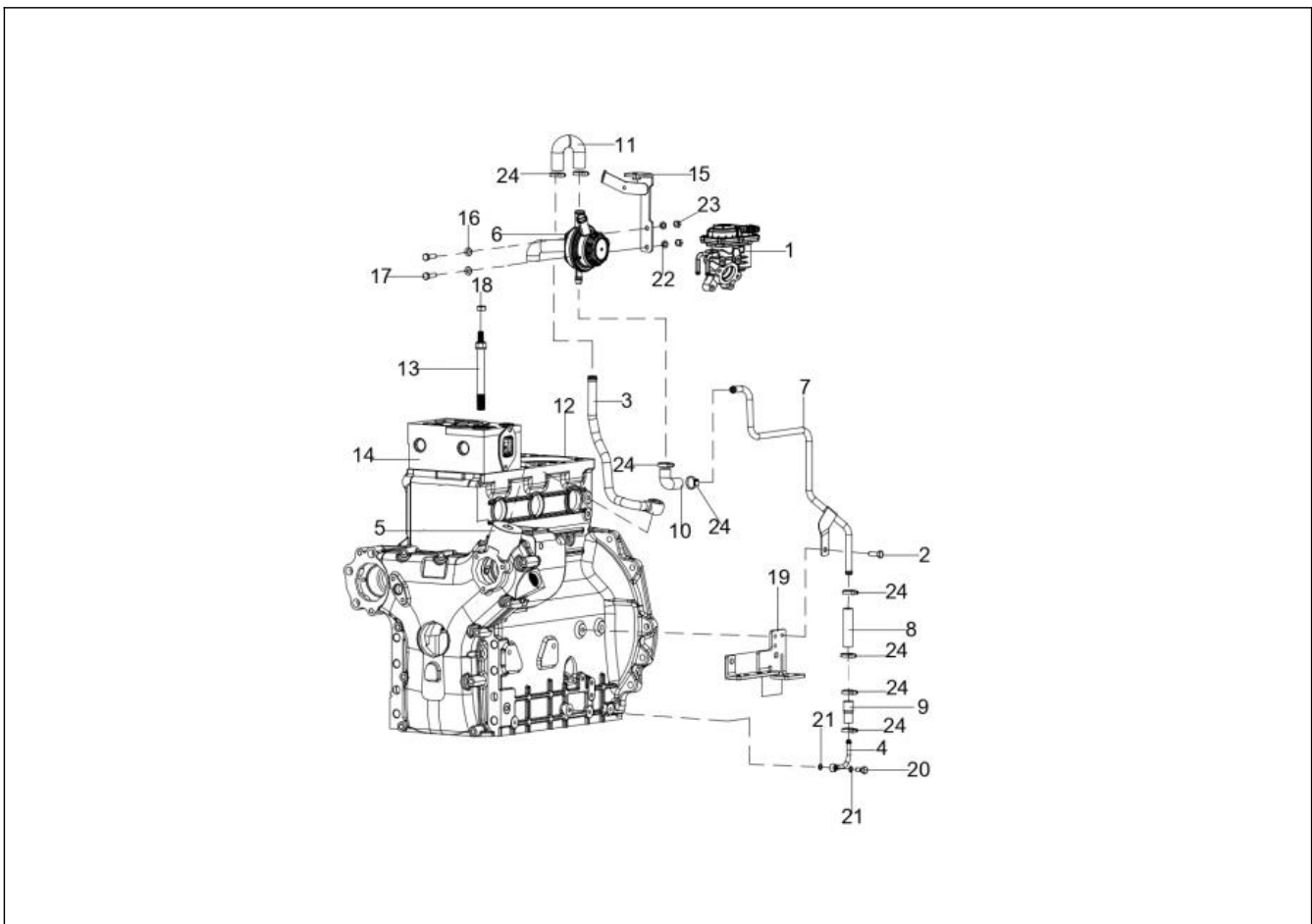
Sr.No	Part Code	Description	Qty	Int.	Cut Off	Remarks
1	04043708130	HEX HEAD BOLT M8X1.25X130 SA4JS-8.8	1			
2	20005565AA	HEX HEAD SCREW M8X1.25X20 -8.8 SA4GS	1			
3	04031300008	PUNCHED WASHER M8 (TRIVALENT)	3			
4	20005504AA	HEX NUT M8X1.25 -8 SA4GS	3			
5	20005517AA	SPRING WASHER B-8 TYPE A IS:3067-1972	3			
6	04040408030	STUD M8 X 1.25 -30 (10.9) TYPE C PHOS-Z	3			
7	300071346B	INJECTOR ASSEMBLY STAGE V	3			
8	800308232B	HPP-1ST.(RAIL TI INJ.)3X6X250_3CYL. CRDI	1			
9	800308231A	HPP-2ND.(PUMP TO RAIL)1.8X6X600_M14 CRDI	1			
10	20005548AA	HEX BOLT M8X1.25-45 -8.8 SA4GS	3			
11	703408222A	INJ. CLAMP STRAIGHT (CRDI)	3			
12	703408034A	SPHERICAL WASHER (8.4X17)	3			
13	800308234B	HPP-3RD.(RAIL TI INJ.)3X6X250_3CYL. CRDI	1			
14	803008221B	COMMON RAIL (A 445 213 207) 3CYL.-CRDI	1			
15	800308233B	HPP-2ND.(RAIL TI INJ.)3X6X250_3CYL. CRDI	1			
16	703408228A	BRACKET COMMON RAIL 3CYL. CRDI	1			
17	300071347B	FIP STAGE V	1			
18	800308230A	HPP-1ST.(PUMP TO RAIL)1.8X6X600_M14 CRD	1			
19	20003357AF	HEX NUT M10 -8 SA4GS	4			
20	20005553AA	HEX HEAD SCREW M10X1.5X25 SA4GS	4			
21	20005585AA	HEX HEAD SCREW M10X20 8.8 SA4GS	2			
22	900408226C	PIPE FUEL FILTER TO FIP	1			
23	800408195C	PRE FILTER TO FUEL FILTER DUMMY_80040195	1			
24	803008185A	FUEL FILTER ASSY(0.5LT.)_GARDENTRAC	1			
25	903408218B	FUEL FILTER_SINGLE (CRDI) E083 424 600	1			
26	04080101010	BANJO BOLT B10	3			
27	300173728C	BRACKET FUEL FILTER 3 CYLINDER	1			
28	703005330B	INLET MANIFOLD 3CYL.- TL_(ALMN.) CRDI	1			
29	800308235B	FUEL RETURN LINE 3CYL	1			
30	703408225B	GASKET (F.I.P_ROTARY) NON-ASB.	1			
31	803008236B	F.I.P. LUBRICATION PIPE (3CYL.-CRDI)	1			

ENGINE  
EN-8\_EXHAUST ASSY



Sr.No	Part Code	Description	Qty	Int.	Cut Off	Remarks
1	300203482A	RETURN LINE 3 CYLINDER ENGINE	1			
2	703405249A	GASKET (RETURN LINE) NON ASB.	3			
3	20004136AA	HEX HEAD BOLT M8X1.25X55	3			
4	20005597AA	HEX HEAD BOLT M8X35_8.8 SA4GS	3			
5	20005517AA	SPRING WASHER B-8 TYPE A IS:3067-1972	4			
6	903405095C	PLUG RETURN LINE FOR CRDI	1			
7	800408172A	TEMP. SENSOR (0281 002 209)	1			
8	300126883B	EXHAUST MANIFOLD	1			
9	703405250A	GASKET (EXHAUST) NON ASB.	3			
10	04031400010	HELICAL SPRING LOCK WASHER 10 AC SA2JD	6			
11	703414114A	GASKET_S.STEEL (EX. FLANGE+EGR COOLER)	1			
12	300114222C	PIPE EXHAUST MANIFOLD TO EGR COOLER	1			
13	300061954A	EGR COOLER 8KW POONA SHIM	1			
14	20005564AA	HEX HEAD SCREW M8X1.25-25 -8.8 SA4GS	10			
15	20005585AA	HEX HEAD SCREW M10X20 8.8 SA4GS	2			

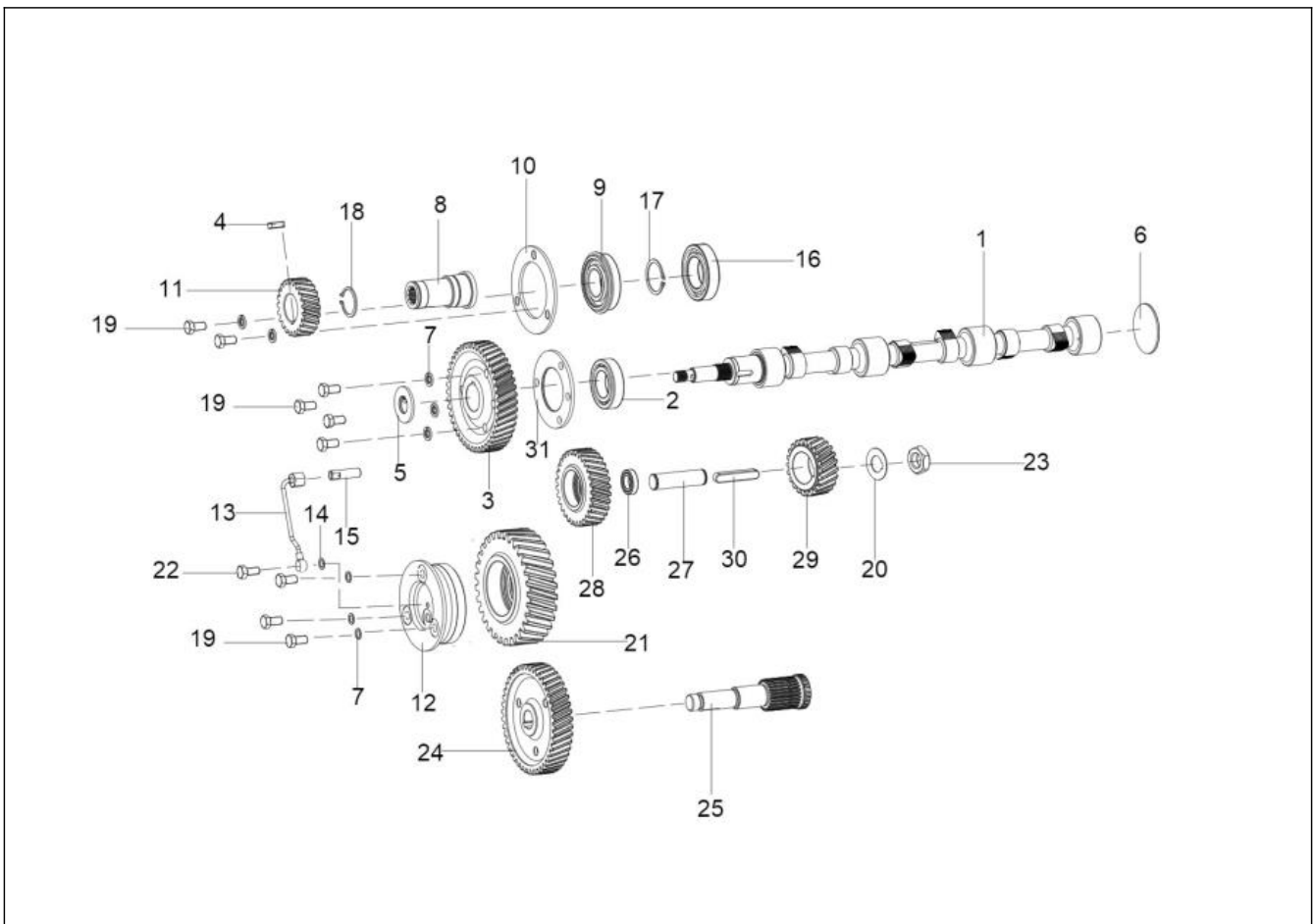
ENGINE  
EN-9\_EGR VALVE ASSY



Sr.No	Part Code	Description	Qty	Int.	Cut Off	Remarks
1	803414013A	EGR VALVE ASSY (BUTTERFLY) PADMANI_CRDI	1			
2	20005593AA	HEX HEAD SCREW M8X1.25 - 50_8.8 SA4GS	1			
3	300156476A	CCV INLET PIPE 3 CYLINDER ENGINE	1			
4	300173742A	PIPE CHECK CALVE TO CRANK CASE	1			
5	703402272B	FRONT COVER (CI) OIL FILLING/CCV OPTION	1			
6	203001044A	CRANK CASE VENTILATION_CCV (ST.-IV) KIT	1			
7	300173747B	CCV DRAIN PIPE	1			
8	703409084B	STRAIGHT HOSE (DRAIN PIPE TO CHECK VALVE)	1			
9	703409100A	HOSE_STRAIGHT (DRAIN-CCV) 3CYL._CRDI	1			
10	703409101A	HOSE_L-TYPE (DRAIN CCV) 3CYL._CRDI	1			
11	703409105A	U-HOSE CCV 3CYL._CRDI	1			
12	300119962A	CRANK CASE 3CYL-A.COMP STAGE V	1			
13	703405062D	CYLINDER HEAD BOLT (SPL.)	1			
14	300174956B	CYLINDER HEAD WITH GLOW PLUG	1			
15	300167841A	BRACKET CCV MOUNTING	1			
16	04031300008	PUNCHED WASHER M8 (TRIVALENT)	2			
17	20005605AA	HEX HEAD BOLT M8X30_8.8 SA4GS	2			
18	20003357AF	HEX NUT M10 -8 SA4GS	1			
19	300173728C	BRACKET FUEL FILTER 3 CYLINDER	1			
20	04080100005	BANJO BOLT B5	1			
21	04030208012	SEALING RING 8/12X1-CU	2			
22	20005517AA	SPRING WASHER B-8 TYPE A IS:3067-1972	2			
23	20005504AA	HEX NUT M8X1.25 -8 SA4GS	2			
24	20005615AA	WORM D. HOSE CLAMP-25A	8			

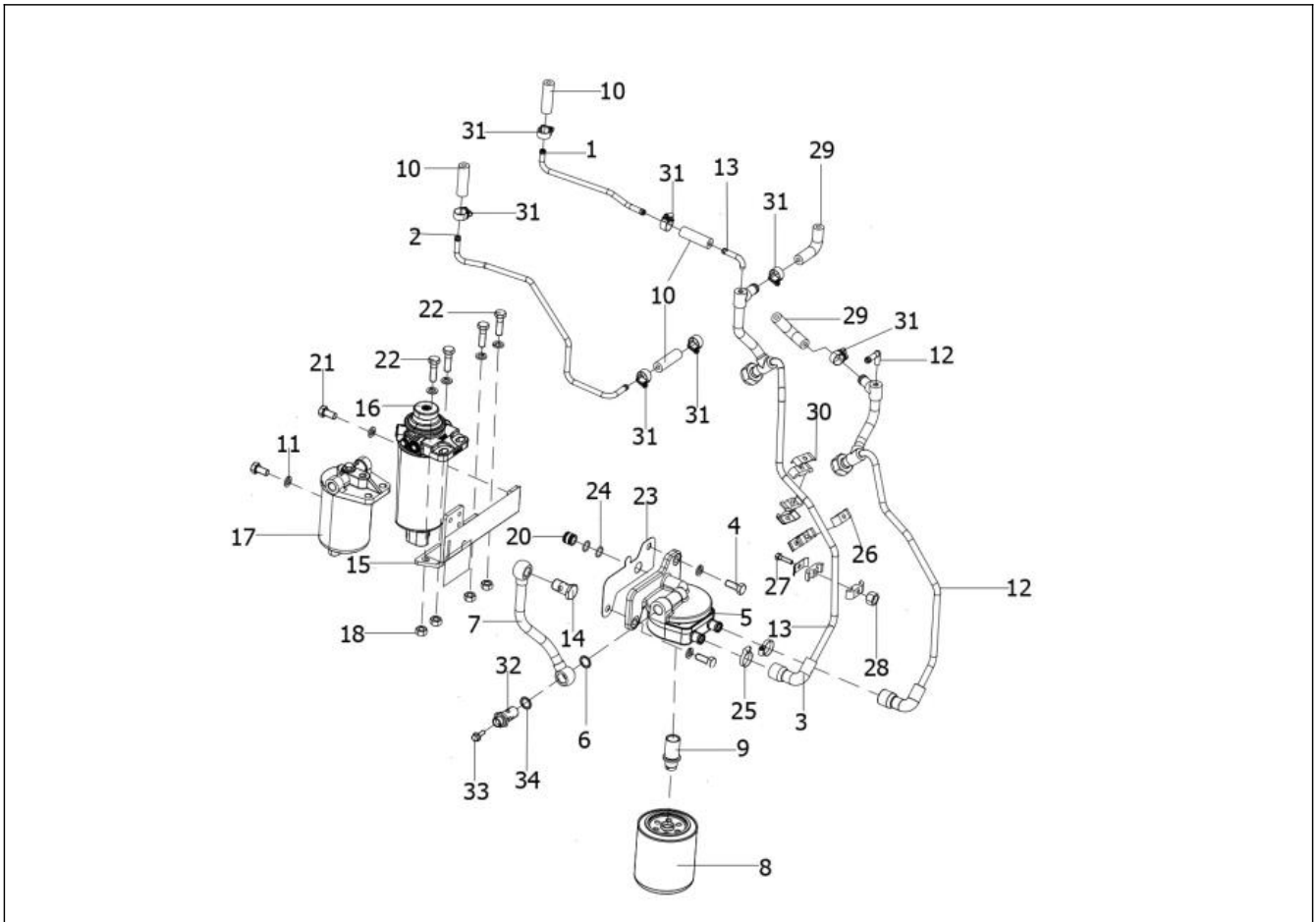


ENGINE  
EN-10\_TIMMING GEAR ASSY.



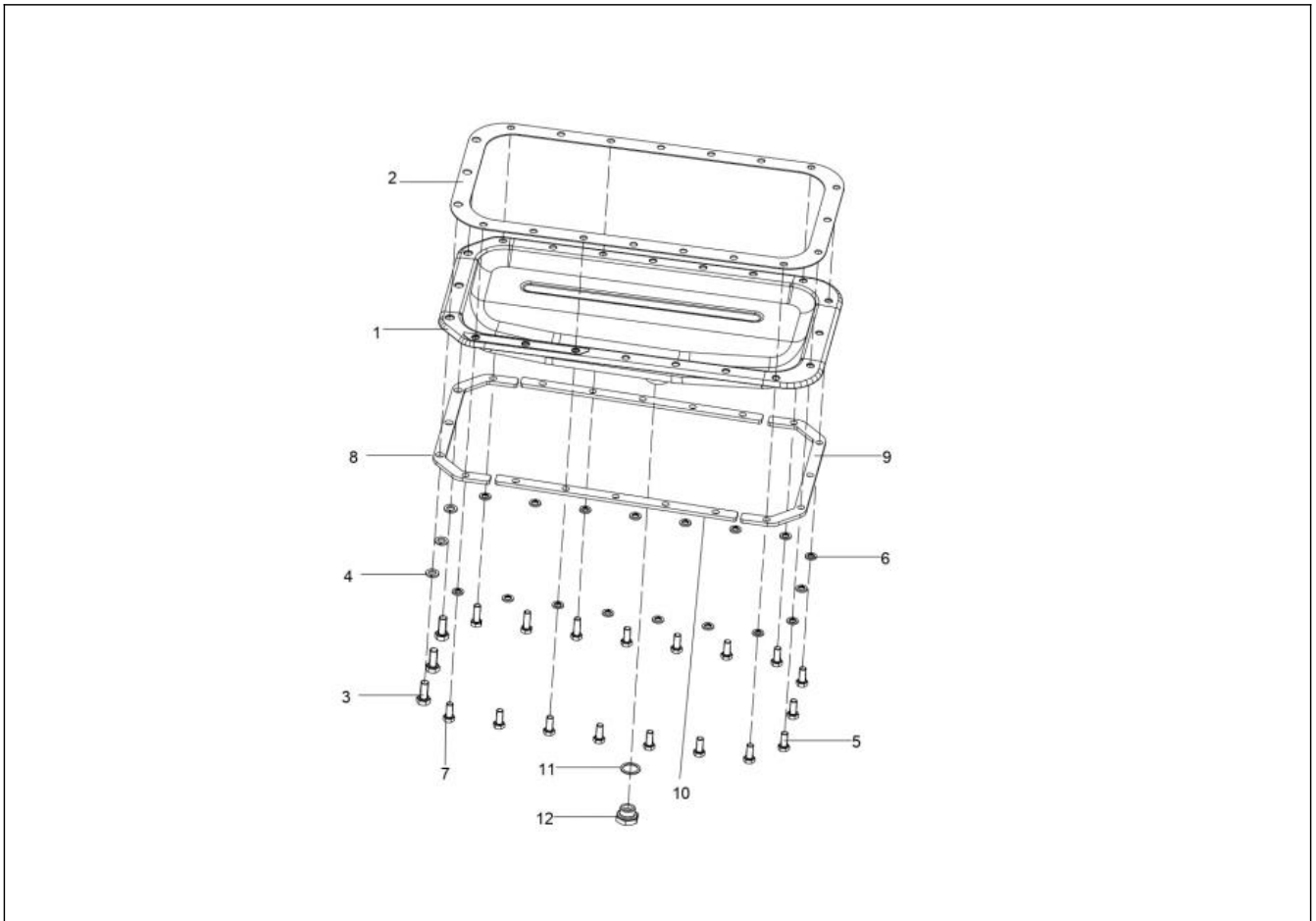
Sr.No	Part Code	Description	Qty	Int.	Cut Off	Remarks
1	703004170A	CAM SHAFT DIA 42-3CYL.A/STEEL(CRDI)	1			
2	803404014A	CYL. ROLLER BEARING (30X55X13) NUP-1006	1			
3	703404119E	CAM GEAR (DIA.30) 90 HP	1			
4	04050206020	KEY `A 6X6X20	6			
5	900404047A	WASHER DIA 40 (CRDI)	1			
6	703404044A	DISC PLUG (&#216;55)	1			
7	20005517AA	SPRING WASHER B-8 TYPE A IS:3067-1972	10			
8	300228560A	SHAFT DIA 35(11 SPLINE-BOTH SIDE)HYD.PUMP	1			
9	04000430062	RADIAL B/BEARING 30/62X16 (6206NR)	1			
10	900402020B	BEARING RETAINER (FOR HYD. IPD)	1			
11	703402193D	GEAR-HYD. PUMP (NIT.)	1			
12	703404069C	PIN-T.I.G WITH LOCK-PLATE	1			
13	703404019D	TUBE ASSY. (TIG LUB.)	1			
14	04030208012	SEALING RING 8/12X1-CU	1			
15	703401018A	VALVE GEAR LUBRICATION BOLT(M10)	1			
16	04000425062	RADIAL B/BEARING 25/62X17 (6305NR)	1			
17	04020200035	EXTERNAL CIRCLIP A-35	1			
18	04020200030	EXTERNAL CIRCLIP A - 30	1			
19	20005559AA	HEX HEAD SCREW M8X1.25X16 -8.8 SA4GS	10			
20	703404006B	LOCK NUT WASHER (M18)	1			
21	803404013C	TOP INTERMEDIATE GEAR ASSY. (NITRIDED)	1			
22	04080100005	BANJO BOLT B5	1			
23	20005580AA	HEX LOCK NUT M18X1.5 8 SA4GS	1			
24	703404152B	GEAR (&#216;20) NIT-FOR I.P.D. AIR COMPRESSOR	1			
25	703404087B	I.P.D SHAFT (FOR COMPRESSOR)	1			
26	04000217040	RADIAL B/BEARING 17/40X12(6203-ZZ)	1			
27	703404014A	INTERMEDIATE GEAR PIN (&#216;17) FOR B.I.G.	1			
28	803404007C	BOTTOM INTERMEDIATE GEAR (90 HP)	1			
29	703403265B	TIMING GEAR &#216;35	1			
30	04050210055	KEY A 10H9X8X55	1			
31	703404062B	CAM RETAINER(GROOVE&#216;55.5)TANDEM	1			

ENGINE  
EN-11\_LUBRICATION SYSTEM & RELATED PARTS



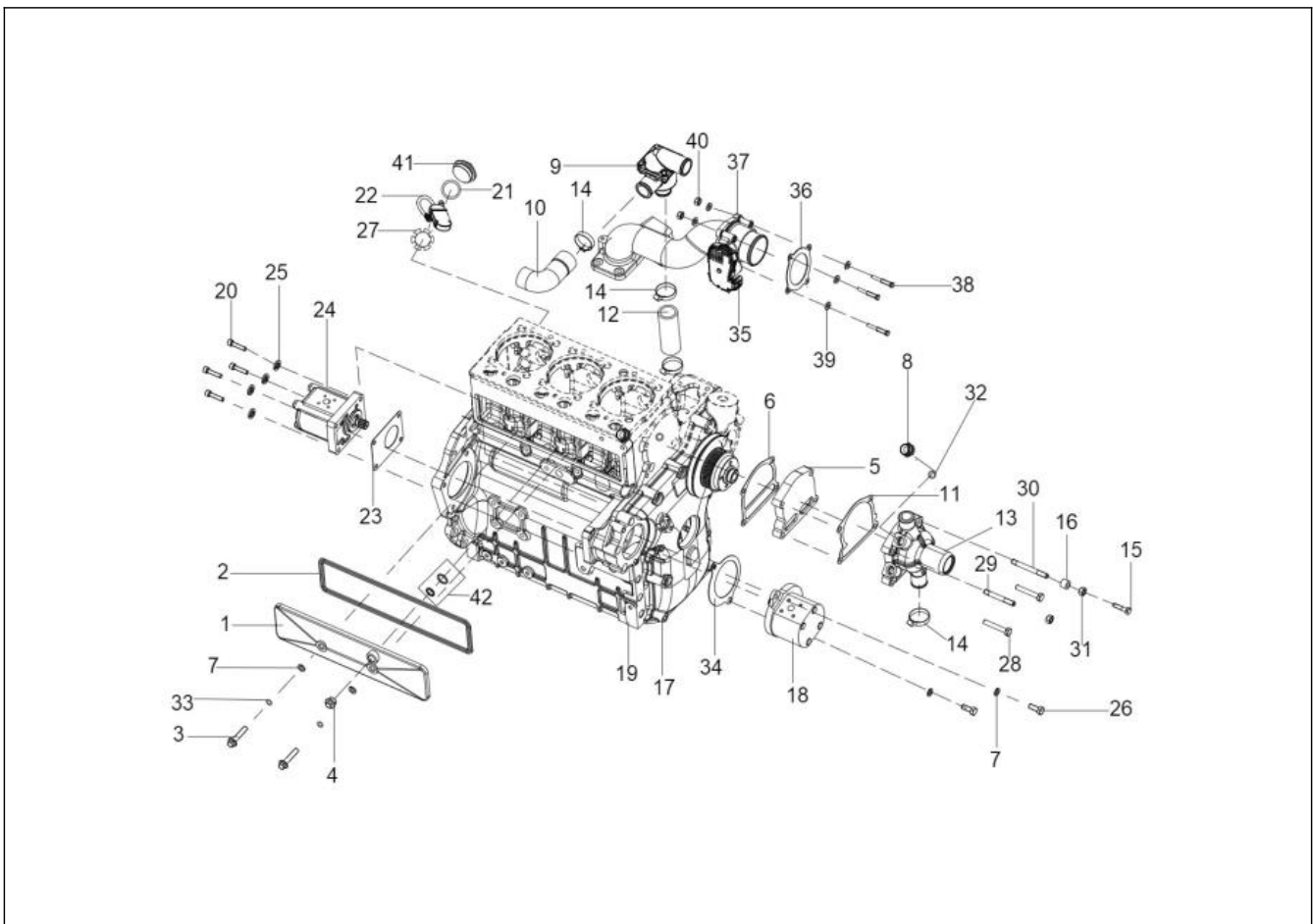
Sr.No	Part Code	Description	Qty	Int.	Cut Off	Remarks
1	300097741B	PIPE WATER OUTLET EGR VALVE	1			
2	300097739B	PIPE WATER INLET EGR VALVE	1			
3	700406102C	WATER HOSE_L-TYPE (HEAT EXCH.)	2			
4	20005553AA	HEX HEAD SCREW M10X1.5X25 SA4GS	2			
5	803407019A	HEAT EXCHANGER (6 PLATE)	1			
6	04030210014	SEALING RING 10/13.5X1- CU	1			NOT SHOWN
7	703007124D	OIL FILTER TUBE ASSY. 3 CYL.	1			
8	803407031C	SPIN ON OIL FILTER ASSY.(3CYL.-TC) SMALL	1			
9	703407045C	PLUG (FOR 6 PLATES HEAT EXCHANGER)	1			
10	703406144A	WATER HOSE FOR EGR VALVE (3CYL.-CRDI)	4			
11	04031400010	HELICAL SPRING LOCK WASHER 10 AC SA2JD	8			
13	300169522A	PIPE HEAT EXCHANGE TO WATER PUMP INLET	1			
14	703402009A	BANJO SCREW B13 - M18 X 1.50 - 6G	1			
15	300173728C	BRACKET FUEL FILTER 3 CYLINDER	1			
16	903408218B	FUEL FILTER_SINGLE (CRDI) E083 424 600	1			
17	803008185A	FUEL FILTER ASSY(0.5LT.)_GARDENTRAC	1			
18	20003357AF	HEX NUT M10 -8 SA4GS	4			
20	700407017B	CENTERING GUIDE	1			
21	20005585AA	HEX HEAD SCREW M10X20 8.8 SA4GS	2			
22	20005606AA	HEX HEAD BOLT M10X35_8.8 SA4GS	4			
23	703007030C	GASKET 3 CYL.OIL FILTER	1			
24	703407145A	O RING-POLYACRYLATE_&#216;14X2	1			
25	20005615AA	WORM D. HOSE CLAMP-25A	2			
26	20001174AD	CLAMP FOR PIPE	2			
27	20005570AA	HEX SCREW M6X25	1			
28	20005491AA	HEX NUT M6 -8 SA4GS	1			
29	903406046A	WATER HOSE_L-TYPE (EGR VALVE)	2			
30	300030134A	CLAMP D08/08	1			
31	04080400020	SL231020_(S) WORM DRIVE HOSE CLAMP-20A	7			
32	700407041A	BANJO CONNECTION M18X1.5 (TURBO)	1			
33	20005541AA	HEX FLANGE SCREW M6*1*20 -8.8 SA4GS	1			
34	10012573AA	BONDED SEAL FOR M18	2		3100FLU24H120 9918	INTERCHANGEABLE WITH 300346249A

ENGINE  
EN-12\_OIL PAN ASSY



Sr.No	Part Code	Description	Qty	Int.	Cut Off	Remarks
1	803002068A	OIL PAN-3CYL. (4X4 TRANSMISSION)	1			
2	703002217A	GASKET (OIL PAN-3 CYL) NON ASB.	1			
3	20005553AA	HEX HEAD SCREW M10X1.5X25 SA4GS	3			
4	04031400010	HELICAL SPRING LOCK WASHER 10 AC SA2JD	3			
5	20005564AA	HEX HEAD SCREW M8X1.25-25 -8.8 SA4GS	3			
6	20005517AA	SPRING WASHER B-8 TYPE A IS:3067-1972	17			
7	20005565AA	HEX HEAD SCREW M8X1.25X20 -8.8 SA4GS	14			
8	300303395A	REAR BAR	1			
9	300302290A	FRONT BAR	1			
10	300302288A	MIDDLE BAR 3 CYL	2			
11	04030220026	SEALING RING 20/26X1.5-CU	1			
12	703402018D	MAGNETIC (DRAIN) PLUG M20X1.5	1			

ENGINE  
EN-15\_WATER AND HYDRAULIC PUMP ASSY ROPS

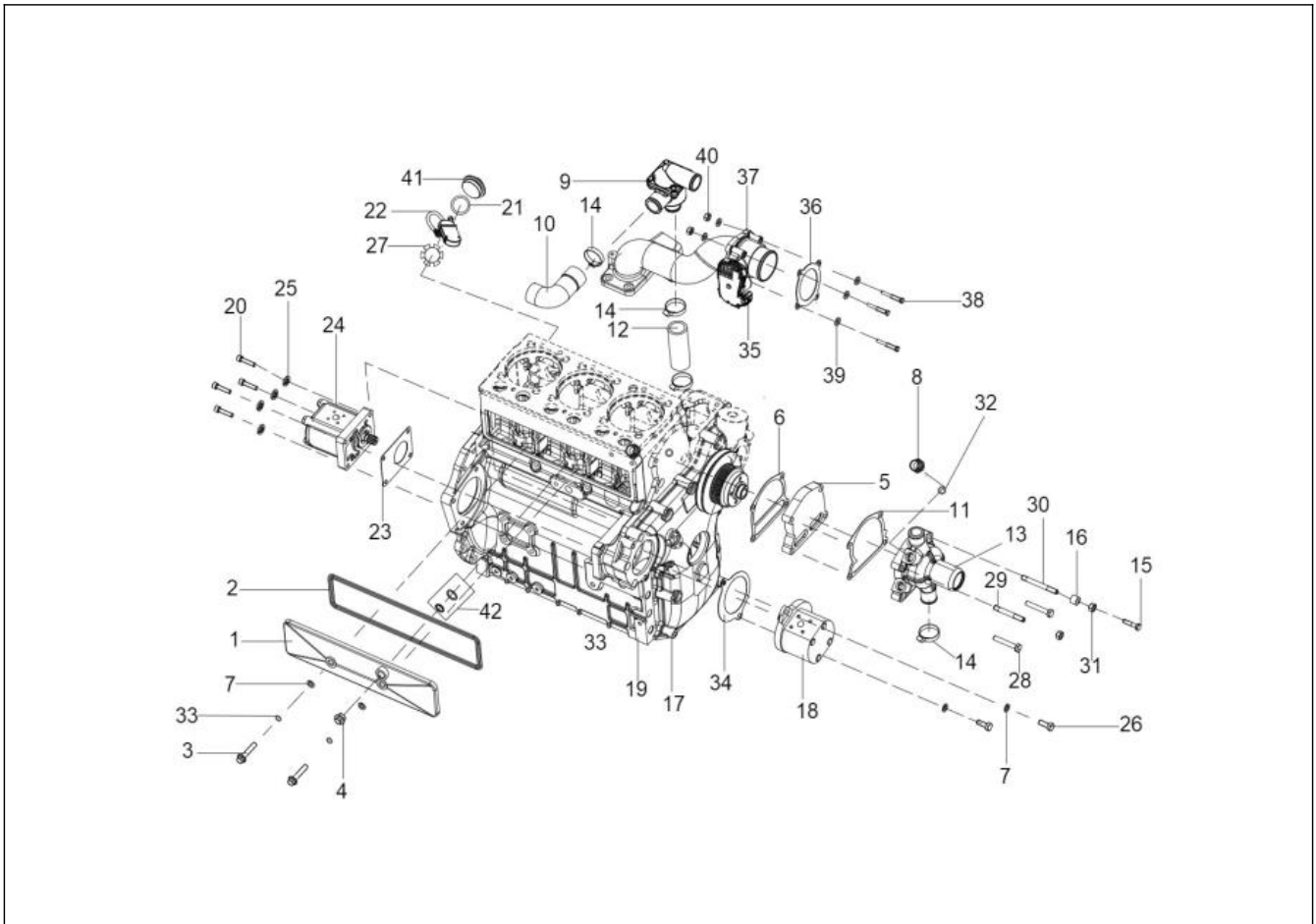


Sr.No	Part Code	Description	Qty	Int.	Cut Off	Remarks
1	803002012D	SIDE COVER ALUMINIUM 3CYL	1			
2	703002016E	GASKET (SIDE COVER_ALMN.) 3 CYL.	1			
3	703402246C	HEX FLANGE BOLT (M10X50)SIDE COVER ALMN.	2			
4	703401015A	OIL CHANNEL PLUG (M18X1.5)	1			
5	300147799B	INTERMEDIATE PLATE_WATER PUMP	1			
6	703406151A	GASKET_NON ASB.(INTER-MEDIATE PLATE W.P)	1			
7	20005518AA	SPRING WASHER B-10 TYPE A IS:3067-1972	4			
8	903406033C	ADAPTOR_W.PUMP&#160; (M20X1.5) CRDI	1			
9	803413016C	THERMOSTAT ASSY.74 DEG. PLASTIC_CALTHERM	1			
10	300217310A	HOSE (RETURN LINE TO THERMOSTAT)	1			
11	703406080A	GASKET (WATER PUMP) NON ASB.	1			
12	300217311A	HOSE (THERMOSTAT TO WATER PUMP)	1			
13	300162231A	WATER PUMP ASSY. VISCOUS AND MECH FAN	1			
14	20003659AB	HOSE WORM CLAMP 38X50 IS:4762	4			
15	20005548AA	HEX BOLT M8X1.25-45 -8.8 SA4GS	1			
16	300177802A	SPACER 18X11X9	1			
17	703402272B	FRONT COVER (CI) OIL FILLING/CCV OPTION	1			
18	803402048A	HYD. PUMP ASSY. (12CC) P.STEERING	1			
19	300119962A	CRANK CASE 3CYL-A.COMP STAGE V	1			
20	04040308035	SOCKET HEAD CAP SCREW M8X35	4			
21	300175395A	GASKET BLOCK HEATER	1			
22	300162535B	HEATER BLOCK	1			
23	703402230A	GASKET (HYD. PUMP-BACK) NON ASB.	1			
24	300117843C	HYD PUMP-25CC REXROTH	1			
25	20005517AA	SPRING WASHER B-8 TYPE A IS:3067-1972	4			
26	20005553AA	HEX HEAD SCREW M10X1.5X25 SA4GS	2			
27	300244624B	CHECK NUT BLOCK HEATER	1			
28	20005599AA	HEX HEAD BOLT M10X60_8.8 SA4GS	2			
29	04140410065	STUD M10X65	1			
30	04140410080	STUD M10X80	1			
31	20003357AF	HEX NUT M10 -8 SA4GS	2			
32	04030220026	SEALING RING 20/26X1.5-CU	1			
33	703407144A	O RING (SIDE COVER) NEW MATERIAL	2			



34	703402229B	GASKET (HYD. PUMP-FRONT) NON ASB.	1			
35	300092475A	THROTTLE VALVE ACTUATOR	1			
36	300092490B	GASKET INTAKE DUCT	1			
37	300086113D	INLET PIPE 3 CYLINDER	1			
38	300045348A	HEX BOLT M6X1X50 8.8 SA4GS	4			
39	20005516AA	SPRING WASHER B-6 TYPE A IS:3067-1972	8			
40	20005491AA	HEX NUT M6 -8 SA4GS	4			
41	300172004B	PLUG BLOCK HEATER	1			OPTIONAL WITH BLOCK HEATER
42	300346245A	BONDED SEAL	1			
42	10012573AA	BONDED SEAL FOR M18	1			

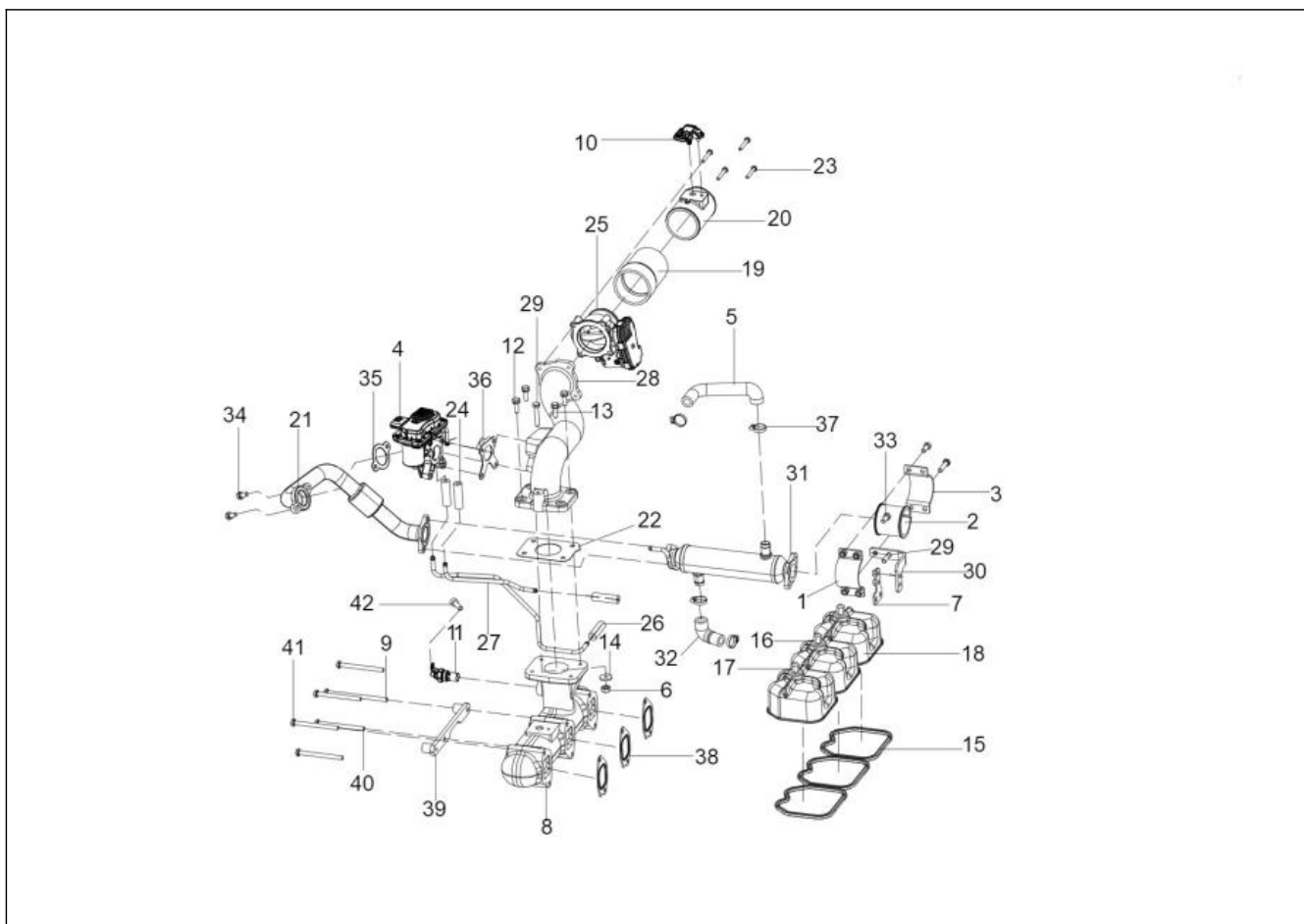
ENGINE  
EN-16\_WATER AND HYDRAULIC PUMP ASSY CABIN



Sr.No	Part Code	Description	Qty	Int.	Cut Off	Remarks
1	803002012D	SIDE COVER ALUMINIUM 3CYL	1			
2	703002016E	GASKET (SIDE COVER_ALMN.) 3 CYL.	1			
3	703402246C	HEX FLANGE BOLT (M10X50)SIDE COVER ALMN.	2			
4	703401015A	OIL CHANNEL PLUG (M18X1.5)	1			
5	300147799B	INTERMEDIATE PLATE_WATER PUMP	1			
6	703406151A	GASKET_NON ASB.(INTER-MEDIATE PLATE W.P)	1			
7	04031400010	HELICAL SPRING LOCK WASHER 10 AC SA2JD	4			
8	903406033C	ADAPTOR_W.PUMP&#160; (M20X1.5) CRDI	1			
9	803413016C	THERMOSTAT ASSY.74 DEG. PLASTIC_CALTHERM	1			
10	300217310A	HOSE (RETURN LINE TO THERMOSTAT)	1			
11	703406080A	GASKET (WATER PUMP) NON ASB.	1			
12	300217311A	HOSE (THERMOSTAT TO WATER PUMP)	1			
13	300173186A	WATER PUMP ASSY. VISCOUS AND MECH FAN	1			
14	20003659AB	HOSE WORM CLAMP 38X50 IS:4762	4			
15	20005548AA	HEX BOLT M8X1.25-45 -8.8 SA4GS	1			
16	723402121B	SPACER DIA 11X18X14	1			
17	703402272B	FRONT COVER (CI) OIL FILLING/CCV OPTION	1			
18	803402048A	HYD. PUMP ASSY. (12CC) P.STEERING	1			
19	300119962A	CRANK CASE 3CYL-A.COMP STAGE V	1			
20	04040308035	SOCKET HEAD CAP SCREW M8X35	4			
21	300175395A	GASKET BLOCK HEATER	1			
22	300162535B	HEATER BLOCK	1			OPTIONAL
23	703402230A	GASKET (HYD. PUMP-BACK) NON ASB.	1			
24	300117843C	HYD PUMP-25CC REXROTH	1			
25	20005517AA	SPRING WASHER B-8 TYPE A IS:3067-1972	4			
26	20005553AA	HEX HEAD SCREW M10X1.5X25 SA4GS	2			
27	300244624A	CHECK NUT BLOCK HEATER	1			OPTIONAL WITH BLOCK HEATER
28	20005599AA	HEX HEAD BOLT M10X60_8.8 SA4GS	2			
29	04140410065	STUD M10X65	1			
30	04140410080	STUD M10X80	1			
31	20003357AF	HEX NUT M10 -8 SA4GS	2			
32	04030220026	SEALING RING 20/26X1.5-CU	1			

33	703407144A	O RING (SIDE COVER) NEW MATERIAL	2			
34	703402229B	GASKET (HYD. PUMP-FRONT) NON ASB.	1			
35	300092475A	THROTTLE VALVE ACTUATOR	1			
36	300092490B	GASKET INTAKE DUCT	1			
37	300086113D	INLET PIPE 3 CYLINDER	1			
38	300045348A	HEX BOLT M6X1X50 8.8 SA4GS	4			
39	20005516AA	SPRING WASHER B-6 TYPE A IS:3067-1972	8			
40	20005491AA	HEX NUT M6 -8 SA4GS	4			
41	300172004B	PLUG BLOCK HEATER	1			OPTIONAL WITH BLOCK HEATER
42	300346245A	BONDED SEAL	1			

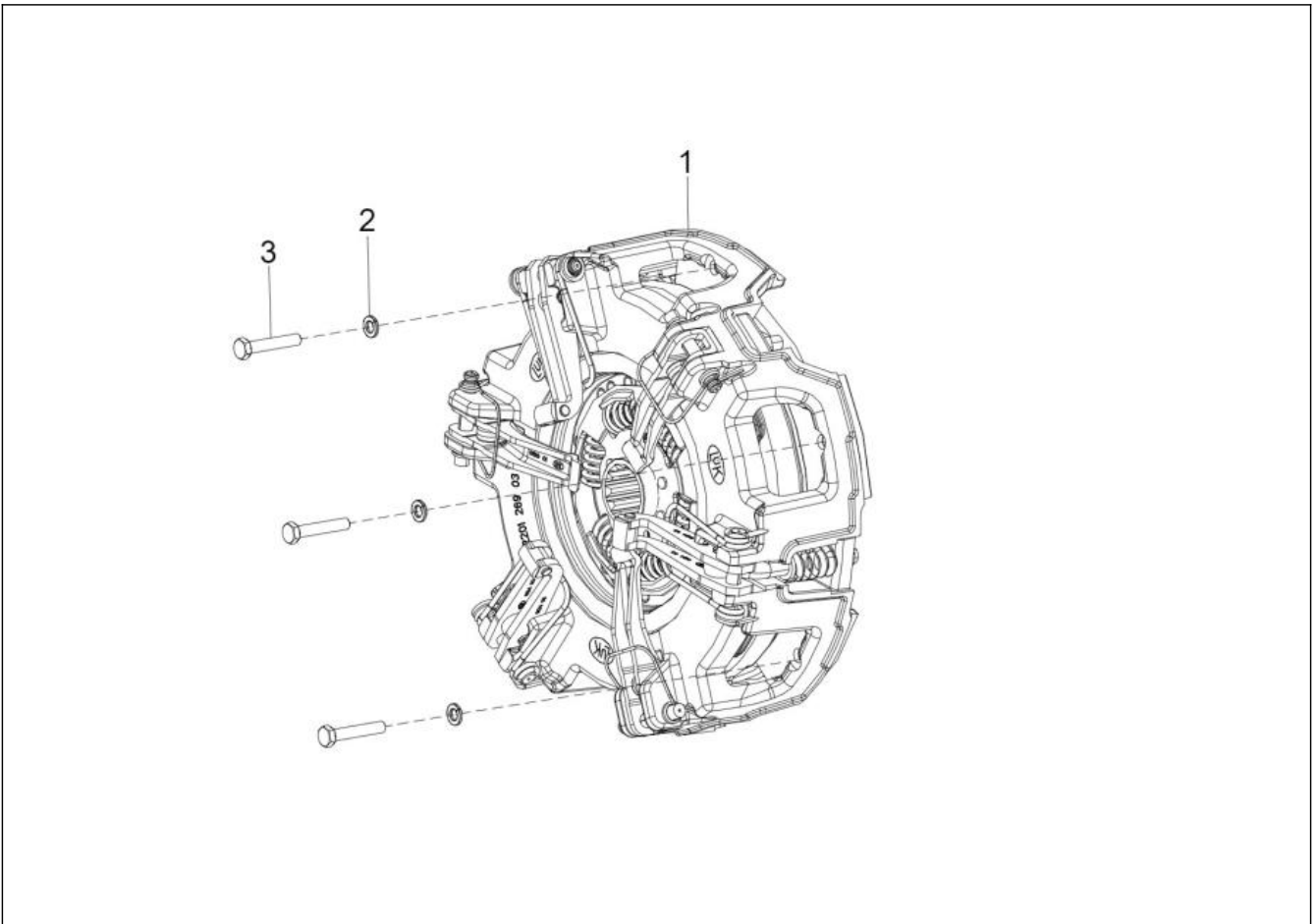
ENGINE  
EN-17\_SENSORS (ENGINE)



Sr.No	Part Code	Description	Qty	Int.	Cut Off	Remarks
1	300177405A	CLAMP EGR COOLER	1			
2	300177449A	RUBBER CLAMP EGR COOLER	1			
3	300178103A	CLAMP EGR COOLER UPPER	1			
4	803414013A	EGR VALVE ASSY (BUTTERFLY) PADMANI_CRDI	1			
5	300122517A	HOSE EGR COOLER OUT 8 KW	1			
6	20003357AF	HEX NUT M10 -8 SA4GS	1			
7	300177466A	BASE BRACKET	1			
8	703005330B	INLET MANIFOLD 3CYL.-TL_(ALMN.) CRDI	1			
9	04043708130	HEX HEAD BOLT M8X1.25X130_SA4JS-8.8	1			
10	800408171A	BOOST PRESSURE SENSOR (0 281 006 217)	1			
11	903405022A	THERMOSTARTER	1			
12	20005605AA	HEX HEAD BOLT M8X30_8.8 SA4GS	4			
13	20005517AA	SPRING WASHER B-8 TYPE A IS:3067-1972	12			
14	703405224C	SEALING PAD (VALVE COVER)	1			
15	703405106C	GASKET VALVE COVER	3			
16	703405225B	SEALING CAP FOR VALVE COVER	3			
17	703405071D	NUT M8 (FOR VALVE COVER)	3			
18	703405105C	VALVE COVER(SHEET METAL) FOR `P TYPE INJ	3			
19	300178851A	HOSE FORM INTERCOOLER TO INTAKE	1			
20	300165273B	TUBE T21 SENSOR	1			
21	300175215A	PIPE ASSY EGR COOLER TO VALVEC 3 CYL	1			
22	700405258D	GASKET INLET MANIFOLD (FOR T.C)MAGNA PROJECT	1			
23	04040706040	HEX SCREW M6X40	4			
24	703406144A	WATER HOSE FOR EGR VALVE (3CYL.-CRDI)	4			
25	300092475A	THROTTLE VALVE ACTUATOR	1			
26	300097739B	PIPE WATER INLET EGR VALVE	1			
27	300097741B	PIPE WATER OUTLET EGR VALVE	1			
28	300086113D	INLET PIPE 3 CYLINDER	1			
29	20005548AA	HEX BOLT M8X1.25-45 -8.8 SA4GS	3			
30	300177603A	BRACKET EGR COOLER SUPPORT	1			
31	300061954A	EGR COOLER 8KW POONA SHIM	1			
32	703406147A	L-HOSE INLET (EGR COOLER)	1			
33	300028644A	HEX. HEAD BOLT M8 X 1.25-20 8-8 SA4GS	2			

34	20005559AA	HEX HEAD SCREW M8X1.25X16 -8.8 SA4GS	2			
35	700414069B	GASKET_EGR VALVE INLET (CRDI) PADMANI	1			
36	700414070B	GASKET_EGR VALVE OUTLET(CRDI)PADMANI	1			
37	20005615AA	WORM D. HOSE CLAMP-25A	4			
38	703405251A	GASKET-1.5MM(INLET) NON ASB.	3			
39	703408228A	BRACKET COMMON RAIL 3CYL._CRDI	1			
40	20005603AA	HEX HEAD BOLT M8X100_8.8 SA4GS	1			
41	20005604AA	HEX. BOLT M8X1.25X95 8.8 SA4GS	4			
42	200000388A	SOCKET HEAD CAP SCREW M6X18 8-8 SA4NS	1			

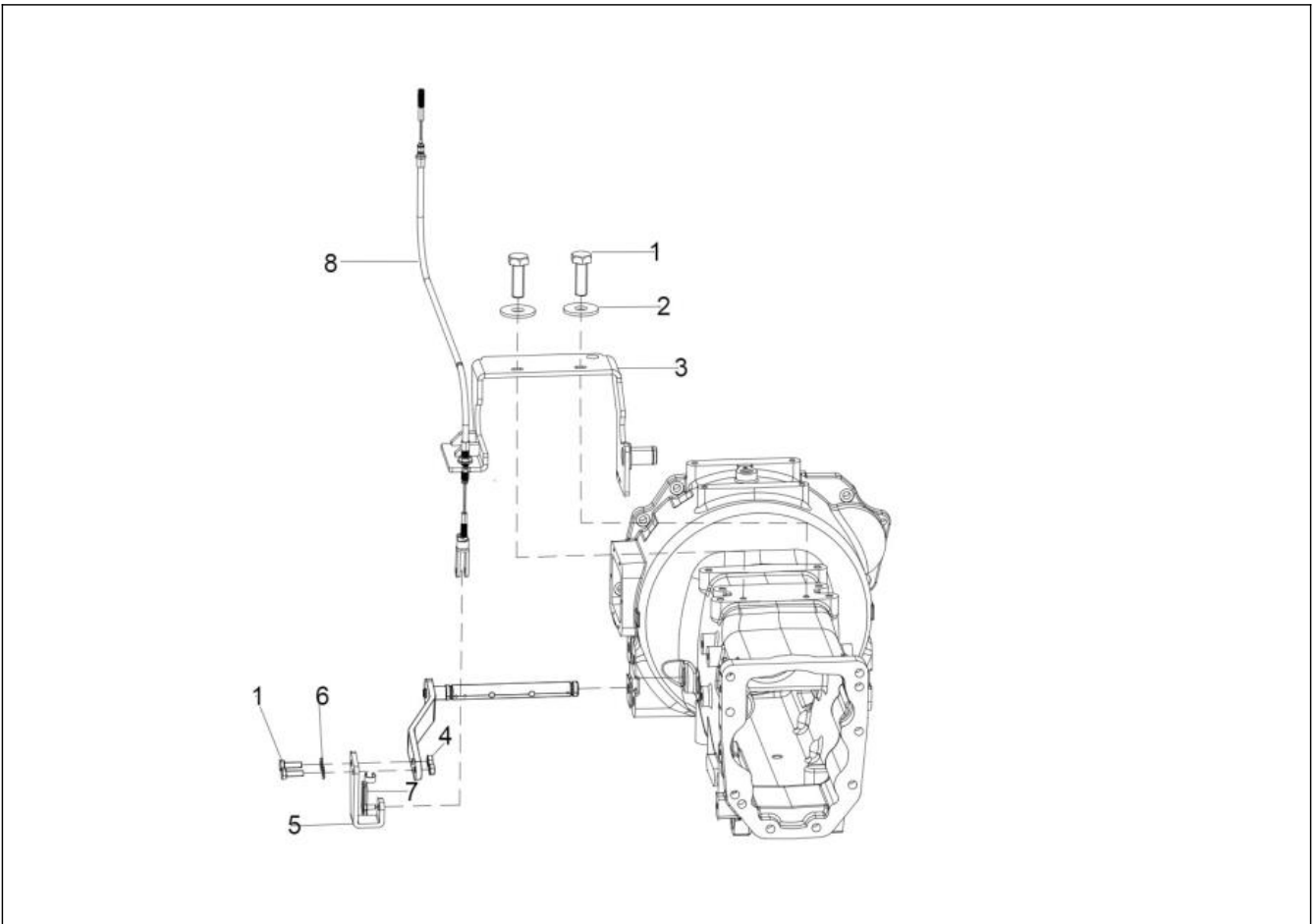
CLUTCH  
CL-1\_CLUTCH ASSY





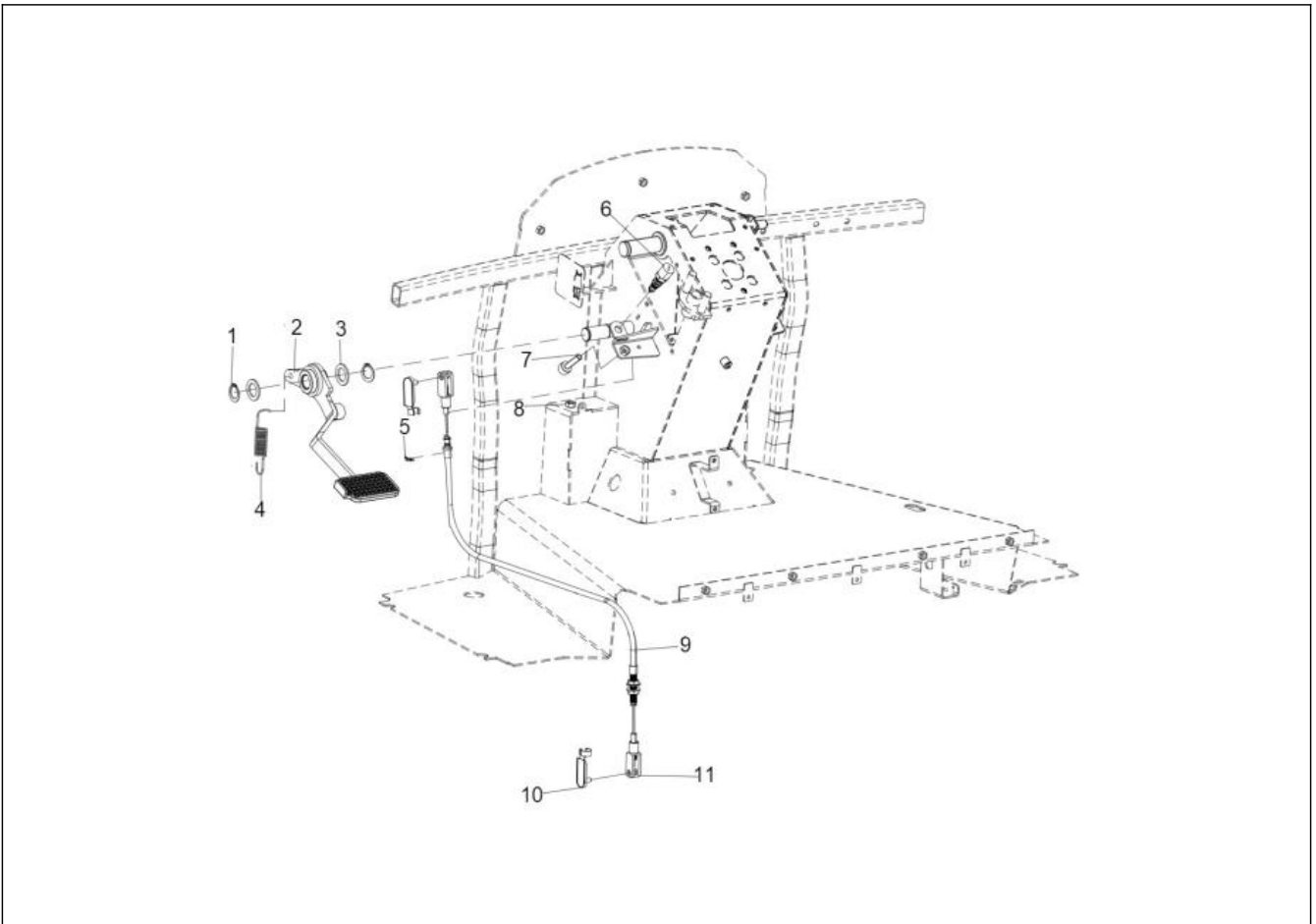
Sr.No	Part Code	Description	Qty	Int.	Cut Off	Remarks
1	300128048B	DOUBLE CLUTCH ASSY ( FOR 3CYL )	1			
2	20005517AA	SPRING WASHER B-8 TYPE A IS:3067-1972	6			
3	20005548AA	HEX BOLT M8X1.25-45 -8.8 SA4GS	6			

CLUTCH  
CL-2\_CLUTCH AREA



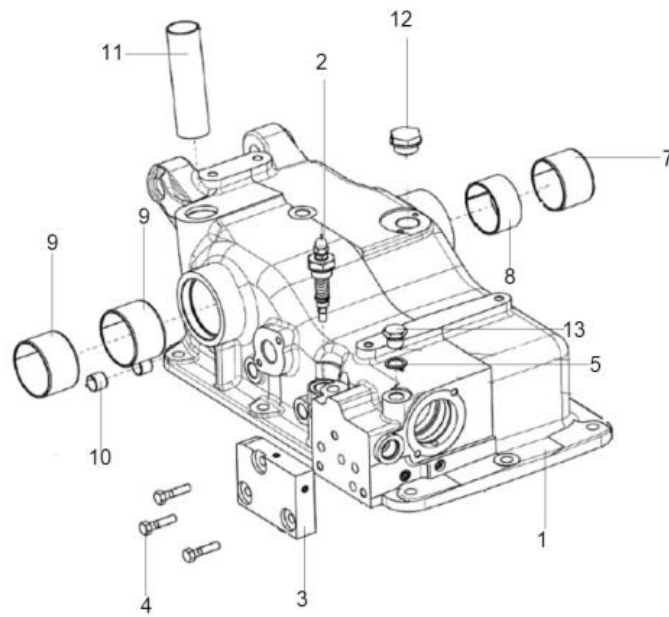
Sr.No	Part Code	Description	Qty	Int.	Cut Off	Remarks
1	20005562AA	HEX HEAD SCREW M10X1.5X30 -8.8 SA4GS	4			
2	20005523AA	PLAIN WASHER A 10.5 IS:5370 STEEL	2			
3	300192544A	CLUTCH AND PTO WIRE BKT ASSY	1			
4	20003357AF	HEX NUT M10 -8 SA4GS	3			
5	10083605AA	CLUTCH LOWER BRACKET	1			
6	20005625AA	M/CD WASHER 10.5*21*2	2			
7	300062998A	ES BOLT	1			
8	300165338A	CLUTCH CABLE ECO MST 50	1			

CLUTCH  
CL-3\_CLUCTH PEDAL



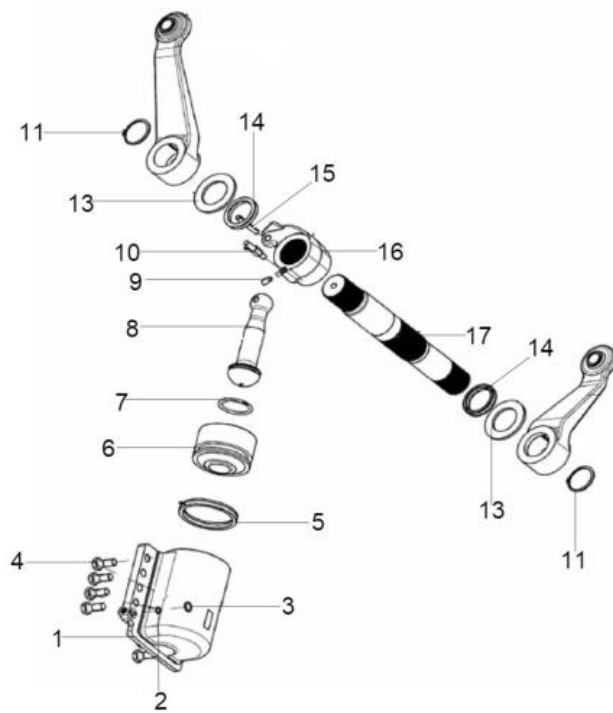
Sr.No	Part Code	Description	Qty	Int.	Cut Off	Remarks
1	20002549AA	CIRCLIP 25*1.2N,IS:3075 [PART-1]	2			
2	300002489B	CLUTCH PEDAL ASSY	1			
3	10006738AB	WASHER [BRACKE PEDAL]	2			
4	10084751AA	SPRING FOR CLUTCH PEDAL	1			
5	10083690AA	CIRCLIP	1			
6	300119996A	PLUNGER SWITCH NC	1			
7	10084509AA	CLUTCH & BRAKE STOPPER	1			
8	20003357AF	HEX NUT M10 -8 SA4GS	1			
9	300165338A	CLUTCH CABLE ECO MST 50	1			
10	300062998A	ES BOLT	2			
11	300036223A	FORK PARKING BRAKE	2			

HYDRAULICS  
HY-1\_HOUSING ASSY HYDRAULIC LIFT



Sr.No	Part Code	Description	Qty	Int.	Cut Off	Remarks
1	10088052AA	PREASSEMBLY BODY 087013	1			INTERCHANGE ABLE WITH 10080983AA
2	10039828AA	KIT RELIFE VALVE	1			
3	10080984AA	CLOSING FLANGA	1			
4	10080985AA	SCREW TE M8X35 UNI5737 ZN 8.8	3			
5	10080995AA	WASHER	1			
7	10080993AA	BUSH	1			
8	10080992AA	BUSH DU D55/60X30	1			
9	10080988AA	BUSH	2			NOT SERVICEABLE
9	10087427AA	MITA BUSH (900354)	2			
10	10080987AA	BUSH	2			
11	10013993AA	BUSH	1			
12	10080991AA	PLUG 3/4G	1			
13	10080994AA	PLUG 3/8G	1			

HYDRAULICS  
HY-2\_CYLINDER ASSY HYDRAULIC LIFT

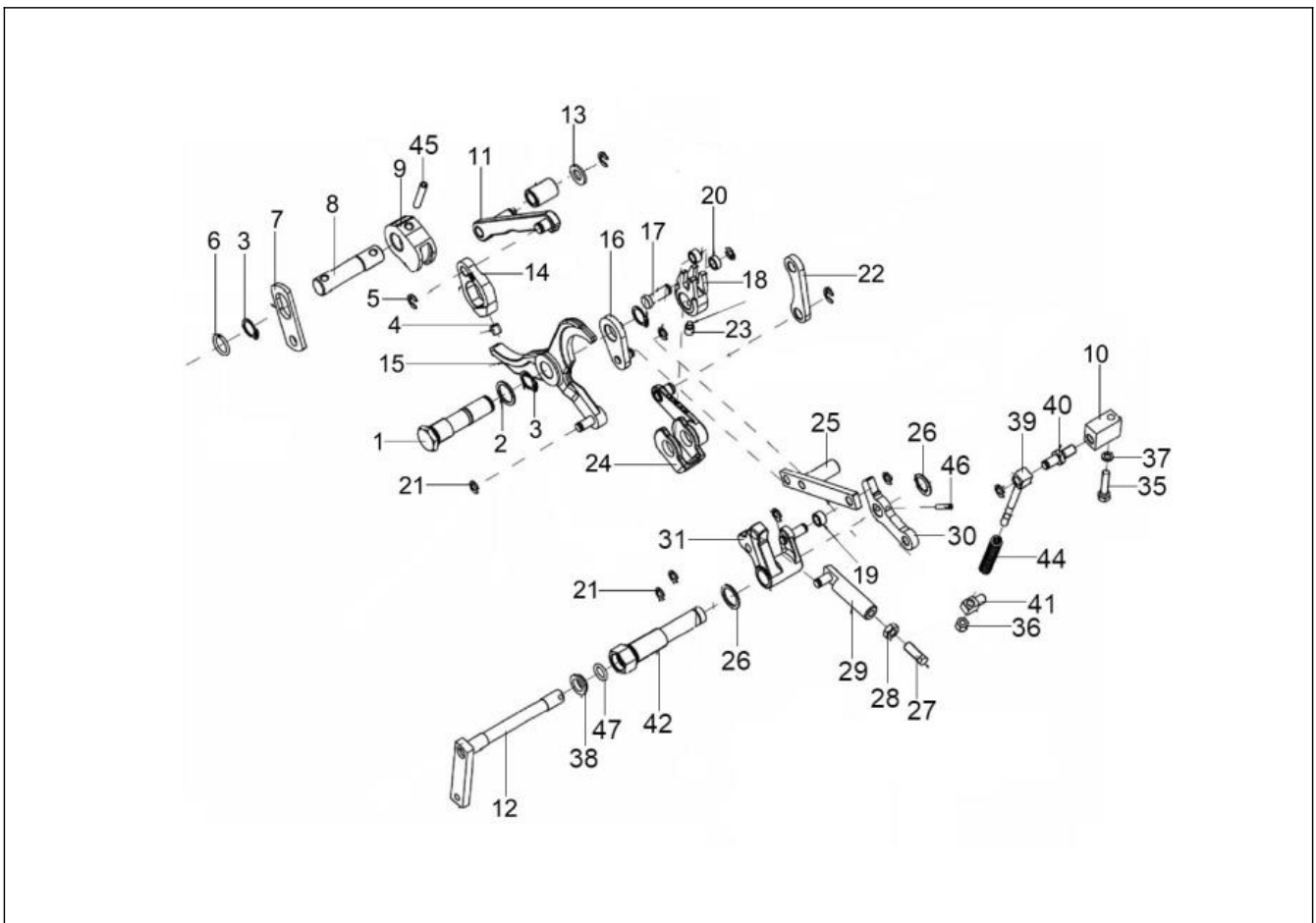




Sr.No	Part Code	Description	Qty	Int.	Cut Off	Remarks
1	10080997AA	CYLINDER M60 WITH PLUG	1			
2	10080998AA	SPECIAL WASHER	1			
3	10080999AA	OR D=15.54X2.62 SH90	1			
4	10081000AA	SCREW M14X35 UNI5739 8.8	8			
5	10081001AA	BALSELE 95/110X12.5	1			
6	10081002AA	PISTON	1			
7	10081003AA	OR 6212 D=53.34X5.34 SH70/80	1			
8	10081004AA	LINK	1			
9	10081005AA	SCREW M10X20 UNI 5925	1			
10	10081006AA	PIN	1			
11	10081007AA	SEEGER E55 UNI7435	2			
13	10081009AA	RING	2			
14	10081010AA	BALSELE 55/70X8-10	2			
15	10081011AA	ELASTIC PIN	1			
16	10081012AA	CRANK	1			
17	10081013AA	SHAFT	1			

## HYDRAULICS

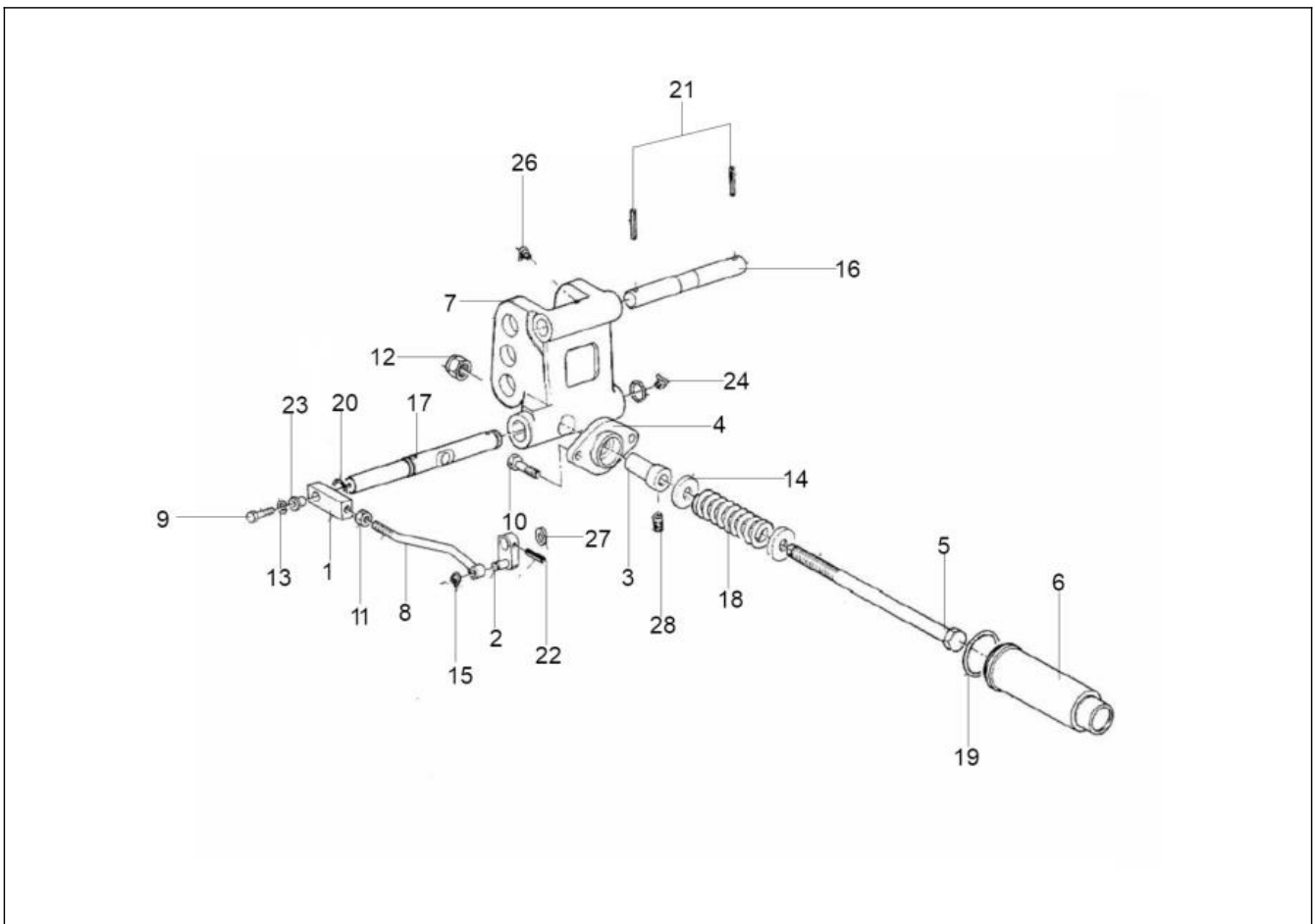
## HY-3\_INTERNAL LEVER ASSY. HYDRAULIC LIFT



Sr.No	Part Code	Description	Qty	Int.	Cut Off	Remarks
1	10081014AA	PIN	1			
2	10081015AA	WASHER	2			
3	10081016AA	SEEGER E16 UNI7435	3			
4	10081017AA	SCREW M8X8 UNI 5929	1			
5	10081018AA	SEEGER RS7	3			
6	10081019AA	OR D15,88 T2.62 70SH	1			
7	10081020AA	LINK	1			
8	10081021AA	PIN	1			
9	10039830AA	CAM	1			
10	10085417AA	SUPPORT PLATE	1			
11	10081024AA	PLATE	1			
12	10085418AA	LEVER ASSY	1			
13	10081026AA	WASHER D10.5 UNI6592	1			
14	10081027AA	LINK	1			
15	10081028AA	COMPENSATOR	1			
16	10081029AA	LEVER	1			
17	10081030AA	PIN	1			
18	10081031AA	LINK	1			
19	10081032AA	ROLLER	2			
20	10081033AA	ROLLER	1			
21	10081034AA	SEEGER RS 6 DIN 6799	8			
22	10081035AA	LINK	1			
23	10081036AA	SCREW M8X12 UNI 5925	1			
24	10081037AA	POSITION CAM WITH PIN	1			
25	10081038AA	END STROKE TIE ROD	1			
26	10081039AA	SEEGER E15	1			
27	10081040AA	SCREW	1			
28	10081041AA	NUT	1			
29	10081042AA	SPACER	1			
30	10085419AA	LEVER	1			
31	10085421AA	LEVER ASSY	1			
35	10085422AA	SCREW TE M6X30 UNI5739 8.8	1			
36	10085423AA	NUT	1			
37	10085424AA	GROWER D=6.1 DIN 7980 ZN	1			
38	10085425AA	WASHER	1			
39	10085426AA	PIN	1			
40	10085427AA	PIN	1			
41	10085428AA	PIN	1			
42	10085429AA	PIN	1			
44	10085430AA	SPRING	1			
45	10081023AA	PIN D6X35UNI 6873	1			
46	10085431AA	PIN D4X24	1			
47	10085432AA	SEAL O-RING	1			

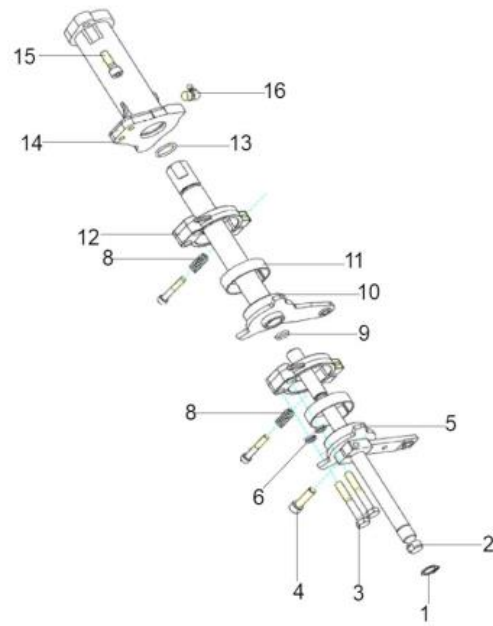
## HYDRAULICS

## HY-4\_SUPPORT TOP LINK ASSY HYDRAULIC LIFT



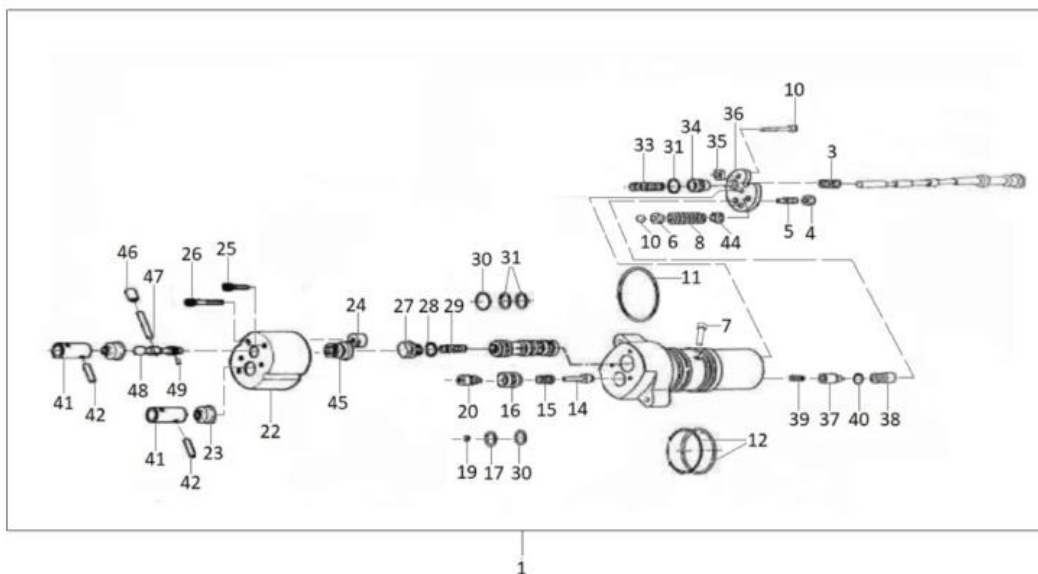
Sr.No	Part Code	Description	Qty	Int.	Cut Off	Remarks
1	10081049AA	PLATE	1			
2	10081050AA	LEVER	1			
3	10081051AA	ROLLER	1			
4	10081052AA	FLANGE	1			
5	10081053AA	TIE ROD	1			
6	10081054AA	SPRING COVER	1			
7	10081055AA	SUPPORT	1			
8	10081056AA	TIE ROD	1			
9	10080985AA	SCREW TE M8X35 UNI5737 ZN 8.8	1			
10	10081057AA	SCREW M12 X30 DIN 933-8G	2			
11	10081058AA	NUT M10-8G	1			
12	10081059AA	NUT M16X1.5 DIN982	1			
13	10081060AA	LOCKERD8.1 DIN 7980	1			
14	10081061AA	WASHER	2			
15	10081018AA	SEEGER RS7	1			
16	10081062AA	PIN	1			
17	10081063AA	PIN	1			
18	10081064AA	COVER	1			
19	10081065AA	OR 3200 D50,47X2,62 SH 70/80	1			
20	10081066AA	OR 4093 D23AX3,53 SH 70/80	2			
21	10081023AA	PIN D6X35UNI 6873	2			
22	10081067AA	ELASTIC FIN D6X35 DIN 1481	1			
23	10081068AA	BUSH D8/20X19	1			
24	10081069AA	FITTING 45 M10X1	1			
26	10081070AA	FITTING M10X1	1			
27	10081071AA	WASHER 16,15/24,8X0,5-ZN	1			
28	10081072AA	SCREW M8X8	1			

HYDRAULICS  
HY-5\_CONTROL LEVER ASSY



Sr.No	Part Code	Description	Qty	Int.	Cut Off	Remarks
1	10081016AA	SEEGER E16 UNI7435	1			
2	10081075AA	SHAFT	1			
3	10081076AA	SCREW TE M8X55 U55 U5931 8G ZN	2			
4	10081077AA	SCREW TCEI M8X30 U59318G ZN	1			
5	10081078AA	POSITION LEVER	1			
6	10081060AA	LOCKERD8.1 DIN 7980	4			
8	10081080AA	SPRING	2			
9	10081081AA	OR 3043 D=10.77X2.62 SH 70/80	1			
10	10081082AA	DRAFT LEVER WITH SHAFT	1			
11	10081083AA	FRICTION	2			
12	10081084AA	CLUTCH HUB	2			
13	10081085AA	OR D=20.24XT2.62 70/75SH	1			
14	10081086AA	COMMAND SUPPORT	1			
15	10081087AA	SCREW M8X25 UNI5931 8G	2			
16	10081070AA	FITTING M10X1	1			

HYDRAULICS  
HY-6\_POWER CONTROL VALVE ASSY



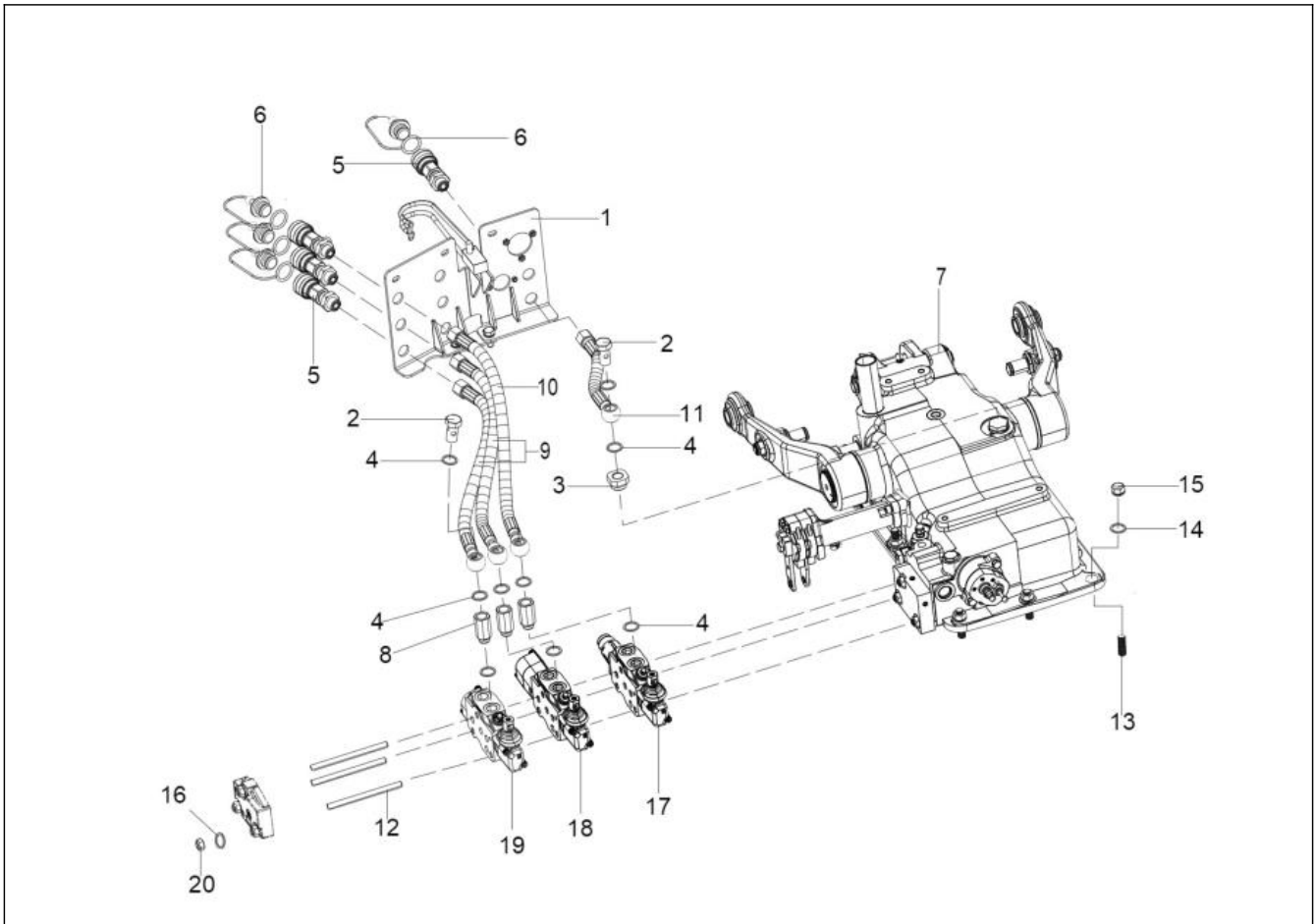


Sr.No	Part Code	Description	Qty	Int.	Cut Off	Remarks
1	10013997AA	CONTROL VALVE	1			
3	10013998AA	SPRING	1			
4	10081113AA	NUT M8 PAL DIN 7967	1			
5	10081111AA	DOWEL M8X20 DIN915 12.9	1			
6	10081131AA	SPACER	1			
7	10013999AA	SCREW	1			
8	10081116AA	SPRING	1			
10	10081128AA	BALL 9/32	1			
11	10081120AA	3,53X58.74SH80-90 OR D12,37	1			
12	10014001AA	OR 135-3193 48,89X2,62 SH80/90	2			
14	10081104AA	VALVE	1			
15	10081117AA	SPRING	1			
16	10081108AA	VALVE SEAT	1			
17	10081121AA	TP,62 P80-90 OR D3,68X1,78	1			
18	10081112AA	SCREW TCEI M6X16 DIN 912-8G	3			NOT SHOWN
19	10081122AA	80/90SH OR D12,42 T1,78	1			
20	10081106AA	VALVE	1			
22	10081098AA	COVER	1			
23	10081099AA	GASKET DIN 936	2			
24	10081126AA	BUSH	2			
25	10081110AA	SCREW M6X16 DIN 912-8G	2			
26	10081109AA	SCREW M6X25 DIN 912-8G	3			
27	10014003AA	PLUG	1			
28	10014004AA	OR 114 11,11X1,78 SH70/80	1			
29	10014005AA	SPRING	1			
30	10081124AA	ELASTIC PIN 4X36 DIN 7343	2			
31	10081123AA	80/90SH OR D=14X 1.78 SH 80/90	3			
33	10014006AA	SPRING	1			
34	10014007AA	PLUG	1			
35	10081103AA	SPACER 6/12X5	3			
36	10014008AA	PLATE	1			
37	10014009AA	VALVE	1			
38	10014010AA	VALVE SEAT	1			
39	10014011AA	SPRING	1			
40	10014012AA	OR 108 8,73X1,78 SH90	1			
41	10014013AA	JOINT	2			
42	10014014AA	SCREW D=4X20 DIN 1481	2			
44	10081097AA	SPACER	1			
45	10014015AA	RING	1			
46	10014016AA	KNOB	1			
47	10014017AA	SCREW D=4X35 DIN 1481 PASS.	1			
48	10081107AA	LEVER	1			
49	10081100AA	FRICITION INSERT	2			



Sr.No	Part Code	Description	Qty	Int.	Cut Off	Remarks
1	10012573AA	BONDED SEAL FOR M18	1			
2	10068285AA	ORFS CONNECTION M22X1.5 / 1 3/16-12 UNF	1			
3	10065893AB	O-RING 18.77X1.78	1			
4	300282282A	SEC PIPE FROM PUMP TO LIFT	1			
5	10081598AB	VIBRATION DAMPER D20X32	1			
6	300182530A	CLAMP ASSY FOR PIPE PUMP TO LIFT	1			
7	04040706045	HEX BOLT M6*45	4			INTERCHANGEABLE WITH 20003326AA (ROHS)
8	300002216A	CLAMP CURVE	1			CHILD PART OF SR.NO.6
9	20003670AC	SPRING WASHER B-8 TYPE-A IS:3063-1972	1			CHILD PART OF SR.NO.6
10	20005572AA	HEX SCREW M8X16	1			CHILD PART OF SR.NO.6
11	300117843C	HYD PUMP-25CC REXROTH	1			
12	10007240AC	O-RING (DIA 23.5*1.78)	1			
13	300281901A	PIPE ASSEMBLY WITH ADOPTER	1			
14	20005516AA	SPRING WASHER B-6 TYPE A IS:3067-1972	4			

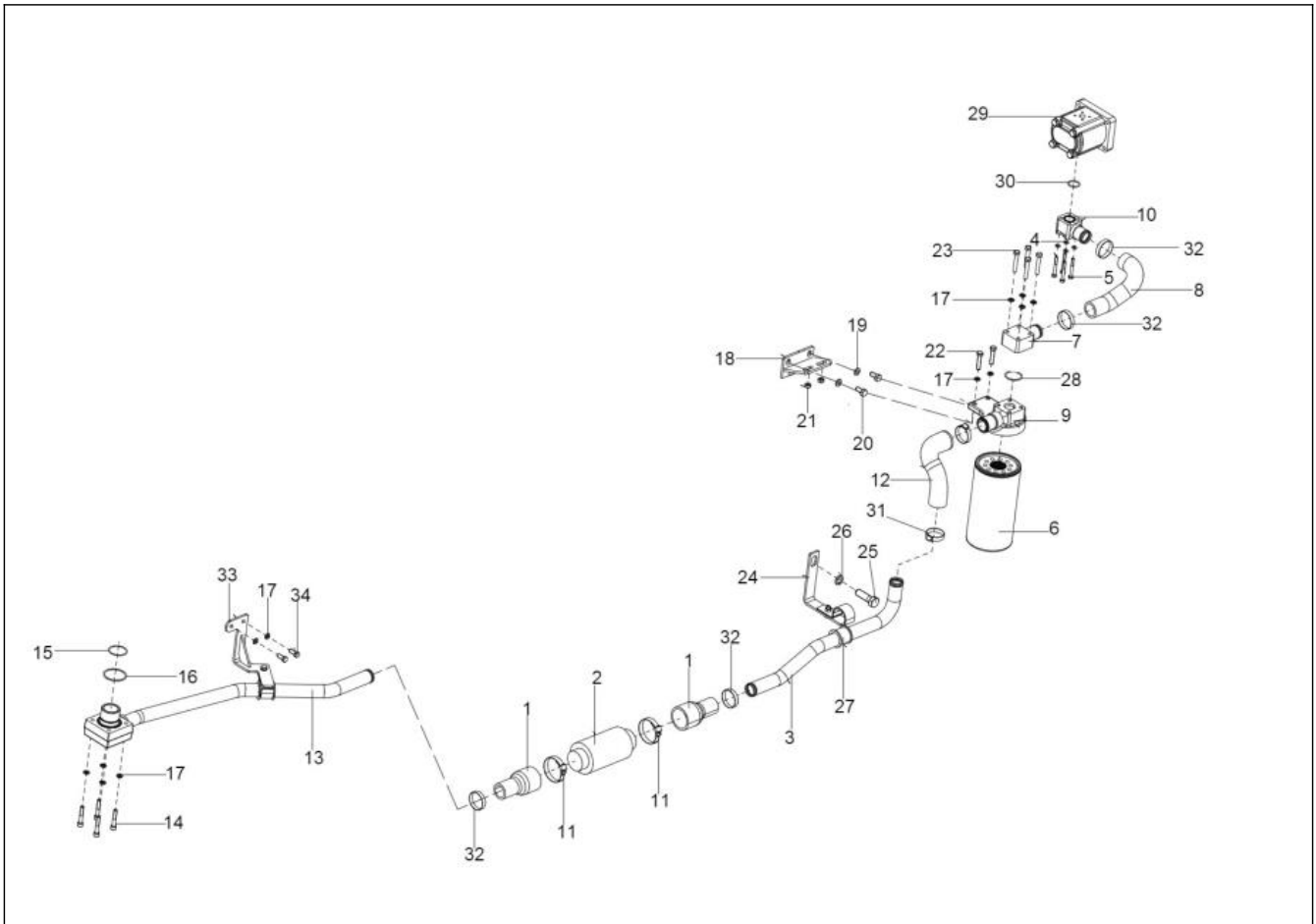
HYDRAULICS  
HY-8\_DELIVERY LINE WITH DCV



Sr.No	Part Code	Description	Qty	Int.	Cut Off	Remarks
1	300156251D	BACK PLATE ASSY	1			
2	20005628AA	BENJO BOLT M18X1.5 IS:3174-1974	7			
3	10085218AC	ADOPTER 3/4 FOR HISARLAR CABIN	1			
4	10012579AB	BONDED SEAL FOR 1/2 " BSP	14			
5	300174783A	GA OF SOCKET ASSY. 1/2"	7			
6	10013166AB	FEMALE DUST PLUG	7			
7	10040786AB	MITA HYDRAULIC LIFT FOR LIFTOMATIC	1			
8	300178931A	ADAPTOR M18X1.5 / M18X1.5	3			
9	300155871B	FLEXIBLE HOSE FROM DVC TO QRC_3	4			
10	300155785B	FLEXIBLE HOSE FROM DCV TO QRC_1	2			
11	300160761C	DELIVERY WITH HTB	1			
12	300053005A	STUD M10X1.5 - 175MM (FOR 3DA DCV)	3			
13	04042612037	STUD M12*1.75*37	4			
14	20004993AB	SPRING WASHER B-12TYPE-A IS:3063-1972	4			
15	20003358AE	HEX NUT M12X1.75 -8 SA4GS	4			
16	20005518AA	SPRING WASHER B-10 TYPE A IS:3067-1972	3			
17	300174751A	DCV VALVE/CONTROL VALVE	1			
18	300174752A	DCV VALVE/CONTROL VALVE	1			
19	300053002B	DCV VALVE/CONTROL VALVE	1			
20	20005503AA	HEX NUT M10 -8 SA4GS	3			

HYDRAULICS

HY-9\_SUCTION LINE HYD LIFT

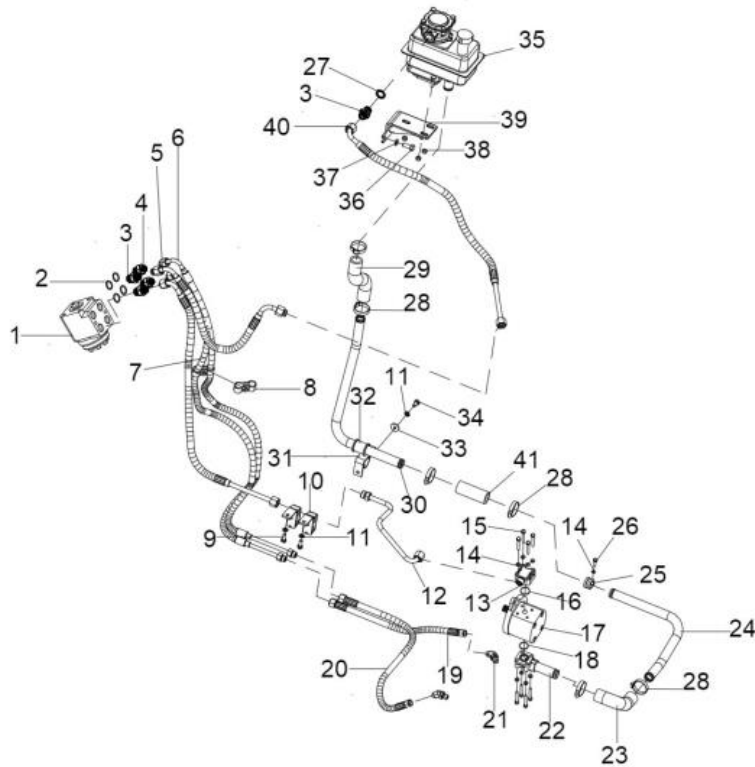


Sr.No	Part Code	Description	Qty	Int.	Cut Off	Remarks
1	10007137AB	HOSE PIPE (FOR SUCTION STRAINER)	2			
2	20005340AA	SUCTION STRAINER (160 MICRON)	1			
3	300280177A	SUCTION PIPE STRAINER TO HOSE	1			
4	20005516AA	SPRING WASHER B-6 TYPE A IS:3067-1972	4			
5	20003326AA	HEX BOLT M6X50	4			NOT SERVICEABLE
6	10027339AF	HYDRAULIC FILTER	1			
7	300147916A	SUCTION PIPE FILTER HEAD TO PUMP	1			
8	300171613A	SUCTION HOSE HYD. FILTER TO PUMP	1			
9	10027559BA	ADOPTER HYDRAULIC FILTER	1			
10	300171540A	SECONDARY SUCTION PIPE FILTER TO PUMP	1			
11	20003661AB	HOSE WORM CLAMP DIA 60 IS:4762	2			
12	300147774A	SUCTION HOSE	1			
13	300294631A	SUCTION PIPE FROM TANK TO STRAINER	1			
14	300261799A	SOCKET HEAD BOLT M8X1.25X45 SA4GS	4			
15	10080937AE	O-RING DIA 41.5 X DIA 1.8	1			
16	200000306A	O-RING	1			
17	20005517AA	SPRING WASHER B-8 TYPE A IS:3067-1972	12			
18	10026685AB	BRACKET FOR FILTER	1			
19	20005518AA	SPRING WASHER B-10 TYPE A IS:3067-1972	2			
20	20005585AA	HEX HEAD SCREW M10X20 8.8 SA4GS	2			
21	20005504AA	HEX NUT M8X1.25 -8 SA4GS	2			
22	300064387A	HEX SCREW M8X1.25X40 8-8 SA2JS	2			
23	20005596AA	HEX HEAD BOLT M8X50_8.8 SA4GS	4			
24	10067648AC	CLAMP ASSY	1			
25	20005467AA	HEX SCREW M16X2X50 8.8 SA4GS	1			
26	20005456AA	PUNCHED WASHER A(16) IS:2016 STEEL	1			
27	10081597AB	VIBRATION DAMPER	2			
28	10027642AE	O-RING &#165;34 X &#165;2.65	1			
29	300117843C	HYD PUMP-25CC REXROTH	1			
30	10000690AD	O RING FOR ADOPTER	1			
31	20003659AB	HOSE WORM CLAMP 38X50 IS:4762	2			
32	20004338AB	HOSE WORM CLAMP 32X45 IS:4762	4			
33	300318978A	SUCTION PIPE MOUNTING BRACKET ASSEMBLY	1			

34	200000430A	HEX. HEAD SCREW M8X1.25X20 8.8 SA4GS	2			
----	------------	---	---	--	--	--



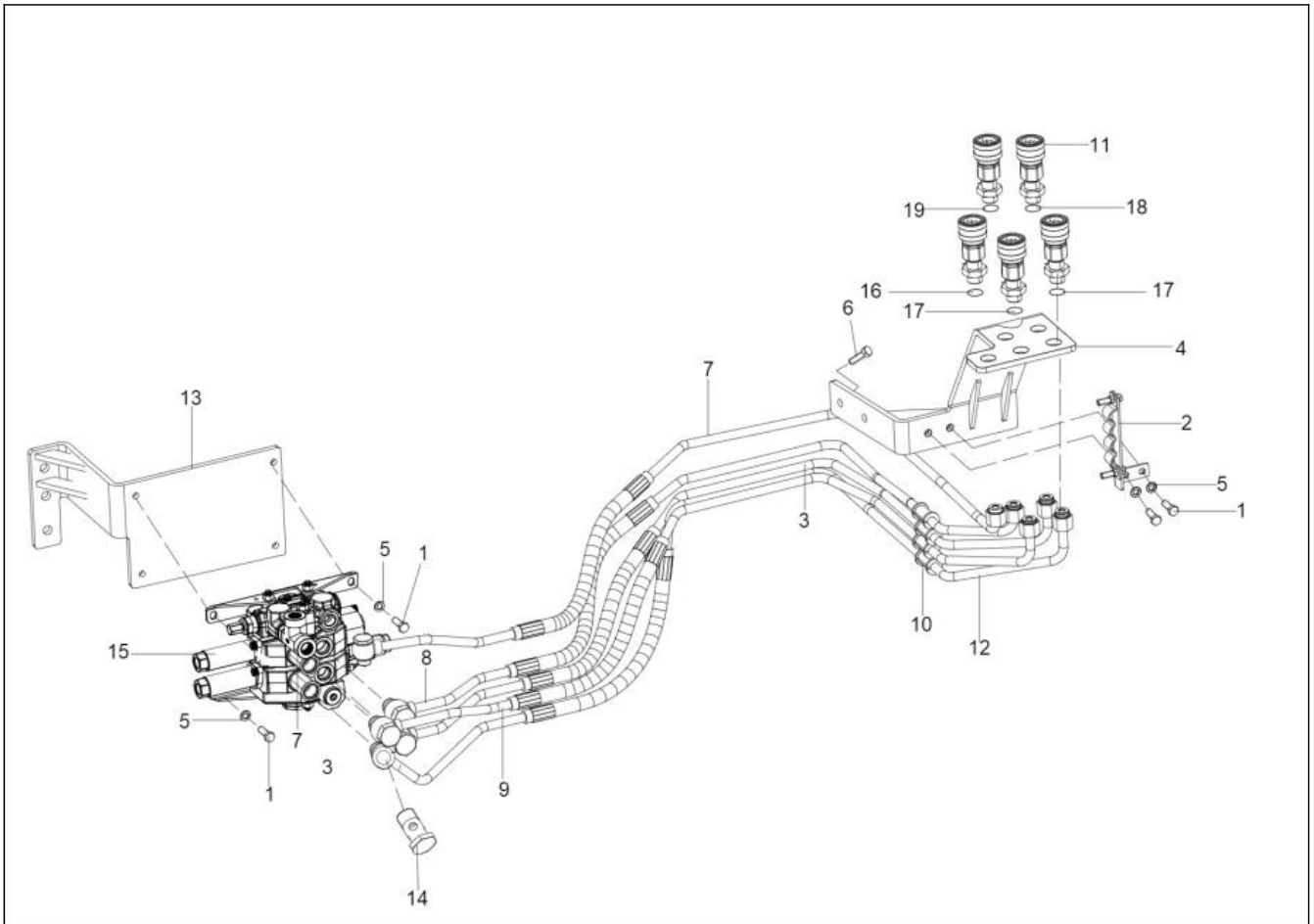
HYDRAULICS  
HY-10\_STEERING LINE ASSY



Sr.No	Part Code	Description	Qty	Int.	Cut Off	Remarks
1	300105375A	STEERING UNIT- 100CC	1			
2	04031021026	SEALING WASHER DIA 21* DIA26*1.5	4			
3	300174806A	ADAPTOR 1/2" BSP & 13/16 UNF	3			
4	300174807A	ADAPTOR 1/2" BSP & 11/16UNF	2			
5	300170392C	FLEXIBLE PIPE STG. UNIT TO STG. OIL TANK	1			
6	300169371B	STG. UNIT L TO STG. CYL. LH PORT	1			
7	300169369B	STG. UNIT TO STG. CYL. RH PORT	1			
8	10068012AB	CLAMP ASSY FOR 4WD CLUTCH AND DIFF LOCK PIPES	1			
9	20001089AD	HEX. HEAD SCREW M8 X 1.25- 25 8-8 SA2JS	2			
10	10029998AC	CLAMP ASSY.(FOR POWER STG. PIPES)	2			
11	20005517AA	SPRING WASHER B-8 TYPE A IS:3067-1972	3			
12	300173103A	PRIMARY PIPE SMALL PUMP TO STG. UNIT	1			
13	300188607A	ADAPTOR 13/16"-16UNF- 2A	1			
14	20005516AA	SPRING WASHER B-6 TYPE A IS:3067-1972	9			
15	04040706045	HEX BOLT M6*45	8			
16	200000124A	O-RING 23.5 X 1.78	1			
17	803402048A	HYD. PUMP ASSY. (12CC) P.STEERING	1			
18	20002888AA	O-RING 22X2	1			
19	300167923B	STG. CYLINDER HOSE PIPE LH	1			
20	300167926B	STG. CYL. HOSE PIPE RH	1			
21	10012487AC	ORFS JIC 135* CONNECTION	2			
22	300309784A	STEERING SUCTION PIPE ASSEMBLY	1			
23	300309553A	HOSE	1			
24	300309638A	STEERING SUCTION PIPE	1			
25	10094100AA	PIPE CLAMP FOR DIA 24	1			
26	20005569AA	HEX SCREW M6X1X20	1			
27	10012579AB	BONDED SEAL FOR 1/2 " BSP	1			
28	20004338AB	HOSE WORM CLAMP 32X45 IS:4762	6			
29	300174678A	HOSE STG. TANK TO SUCTION PIPE	1			
30	300170323A	PIPE RESERVOIR TO INTERMEDIATE HOSE	1			
31	300167957A	STG. SUCTION PIPE CLAMP ASSY.	1			
32	10017103AA	VIBRATION DAMPER FOR 25 OD PIPE	1			

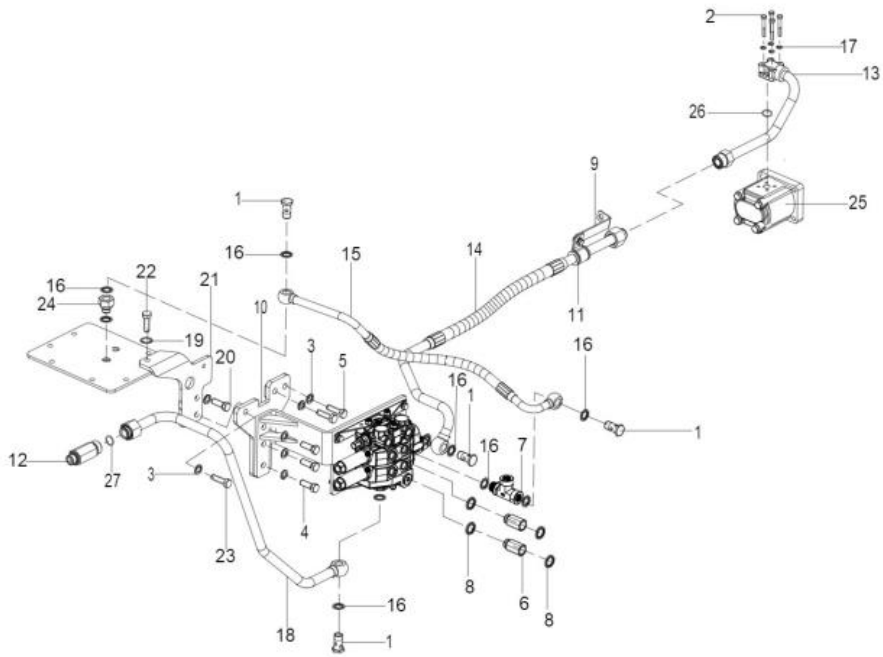
33	20004935AB	PLAIN WASHER DIA 8.4 *DIA 17*1.6	1			
34	20005559AA	HEX HEAD SCREW M8X1.25X16 -8.8 SA4GS	1			
35	300096908B	STEERING TANK ASSEMBLY 3CYL	1			
36	20005558AA	HEX HEAD SCREW M10X1.25X25 -8.8 SA4GS	2			
37	20005518AA	SPRING WASHER B-10 TYPE A IS:3067-1972	2			
38	20005504AA	HEX NUT M8X1.25 -8 SA4GS	3			
39	300169408B	STG. OIL TANK MTG. BKT.	1			
40	300173113B	SEC. FL. PIPE SMALL PUMP TO STG UNIT	2			
41	10026286AD	HOSE PIPE(SUCTION)	1			
42	10012633AA	FILTER OF METALLTIC STEERING TANK	1			NOT SHOWN, CHILD PART OF 300096908B

HYDRAULICS  
HY-11-1\_MID MOUNT



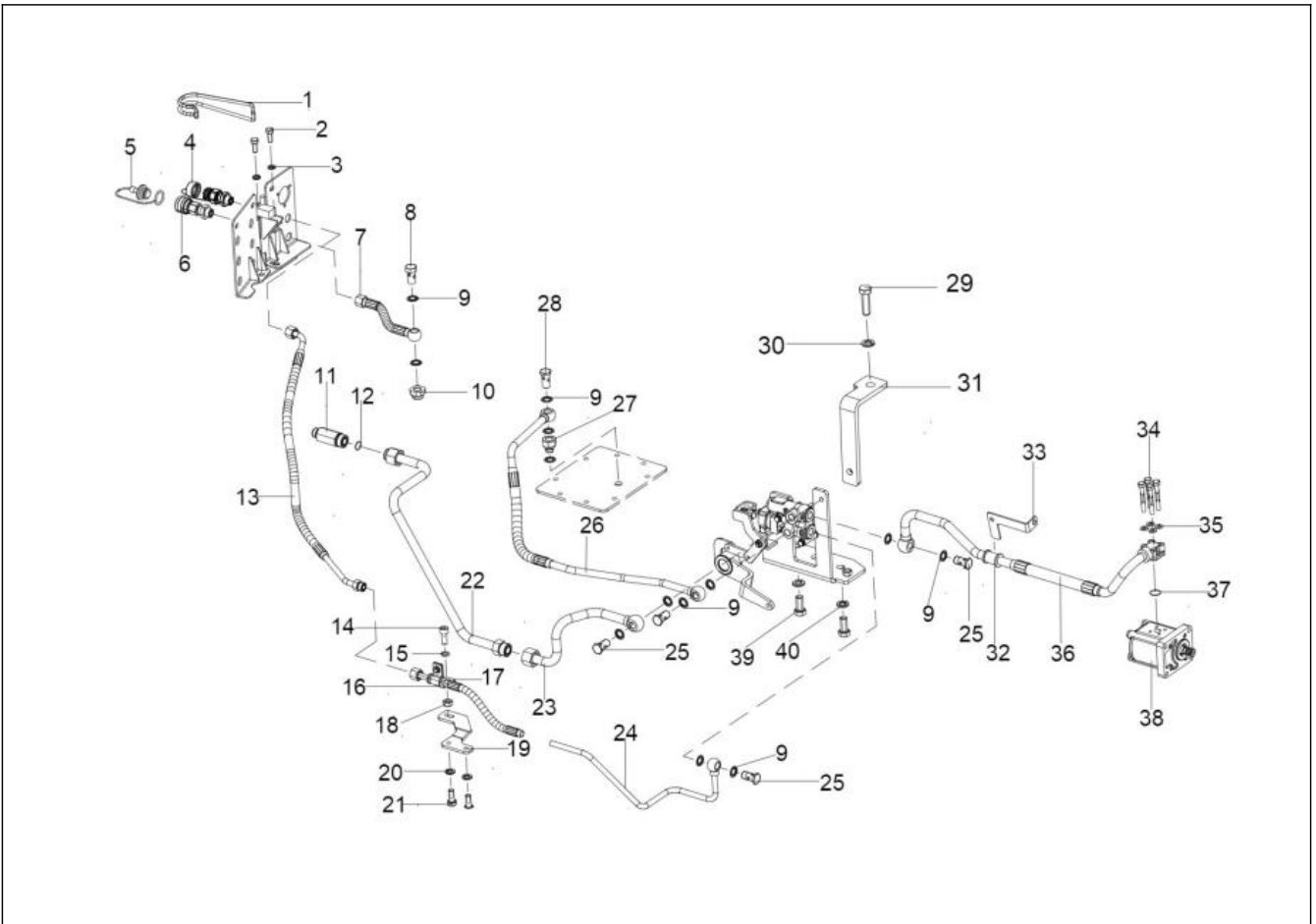
Sr.No	Part Code	Description	Qty	Int.	Cut Off	Remarks
1	20001089AD	HEX. HEAD SCREW M8 X 1.25-25 8-8 SA2JS	6			
2	300181353B	CLAMP ASSLY LOADER COUPLERS PIPES	1			
3	300280044A	TUBE & HOSE ASSEMBLY QRC 3	1			
4	300181201A	LOADER COUPLERS MTG. BKT. ASSY.	1			
5	20003670AD	SPRING WASHER B-8 TYPE-A IS:3063-1972	6			
6	20005558AA	HEX HEAD SCREW M10X1.25X25 -8.8 SA4GS	2			
7	300187347A	TEE-ADAPTOR	2			
7	300280049B	TUBE & HOSE ASSEMBLY QRC RETURN	1			
8	10012579AB	BONDED SEAL FOR 1/2 &quot; BSP	10			
8	300280040A	TUBE & HOSE ASSEMBLY QRC 1	1			
9	300280043A	TUBE & HOSE ASSEMBLY QRC 2	1			
10	10051486AB	VIBRATION DAMPER D12X32	4			
11	300174783A	GA OF SOCKET ASSY. 1/2&quot;	5			
12	300280046A	TUBE & HOSE ASSEMBLY QRC 4	1			
13	300281399A	BRACKET ASSEMBLY FOR MMV	1			
14	200000080B	BENJO BOLT G 1/2&quot; A	5			
15	300177953A	MID MOUNT VALVE FOR 50-60 HP	1			
16	300283767A	PLASTIC STRIP	1			
17	300283760A	PLASTIC STRIP	2			
18	300283763A	PLASTIC STRIP	1			
19	300283765A	PLASTIC STRIP	1			

HYDRAULICS  
HY-11-2\_MID MOUNT



Sr.No	Part Code	Description	Qty	Int.	Cut Off	Remarks
1	10067936AB	BANJO BOLT (M18X1.5)	4			
2	04040706045	HEX BOLT M6*45	4			INTERCHANGEABLE WITH 20003326AA (ROHS)
3	20004993AB	SPRING WASHER B-12TYPE-A IS:3063-1972	7			
4	20003992AC	HEX BOLT M12X1.75X35	3			
5	20003245AC	HEX. SCREW M12X1.75X40 - 8.8 SA4GS	2			
6	300179123B	ADAPTOR F-1/2" AND M-1/2"	4			
7	300280049B	TUBE & HOSE ASSEMBLY QRC RETURN	1			
8	300280040A	TUBE & HOSE ASSEMBLY QRC 1	1			
9	300182530A	CLAMP ASSY FOR PIPE PUMP TO LIFT	1			
10	300285790B	BRACKET ASSEMBLY FOR MMV 1	1			
11	10081598AB	VIBRATION DAMPER D20X32	1			
12	10068285AA	ORFS CONNECTION M22X1.5 / 1 3/16-12 UNF	1			
13	300281901A	PIPE ASSEMBLY WITH ADOPTER	1			
14	300281902A	SEC PIPE ASSEMBLY FROM PUMP TO MMV	1			
15	300280061A	TUBE & HOSE ASSEMBLY FROM MMV TO TANK	1			
16	10012573AA	BONDED SEAL FOR M18	12			
17	20003669AD	SPRING WASHER B-6 TYPE-A IS:3063-1972	4			
18	300280056A	TUBE ASSEMBLY FROM MMV TO LIFT	1			
19	20003671AD	SPRING WASHER B-10	1			
20	20003243AB	HEX SCREW M12*1.75*30	1			
21	300303568A	BRACKET FOR DIFF LOCK - 2	1			
22	20005562AA	HEX HEAD SCREW M10X1.5X30 -8.8 SA4GS	1			
23	20005682AA	HEX SCREW M12X1.75X25 - 10.9 SA4GS	1			
24	300067182A	ADOPTER M18X1.5/M18X1.5	1			
25	300117843C	HYD PUMP-25CC REXROTH	1			
26	10007240AC	O-RING (DIA 23.5*1.78)	1			
27	10065893AB	O-RING 18.77X1.78	3			

HYDRAULICS  
HY-12-1\_HTB ONLY

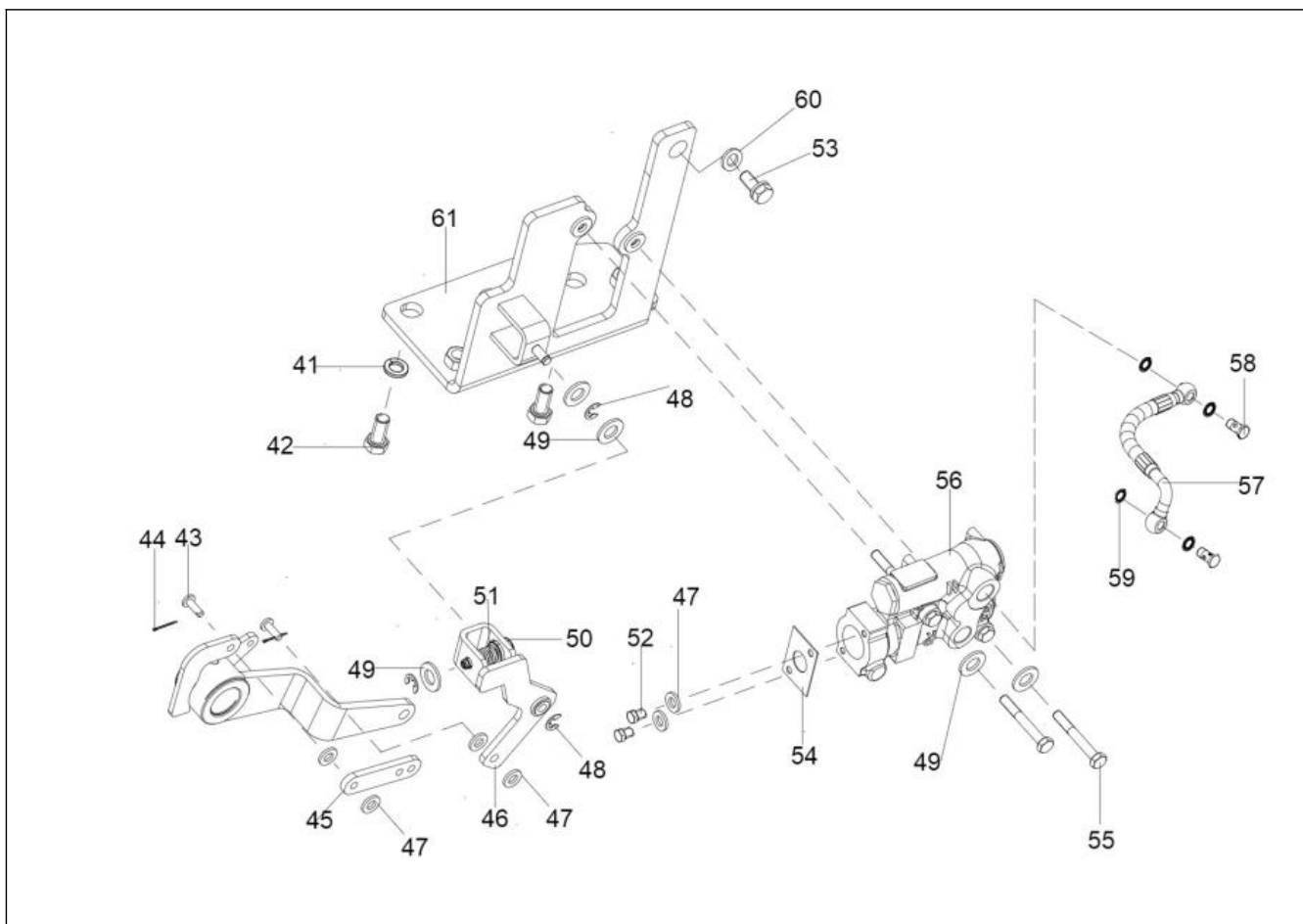




Sr.No	Part Code	Description	Qty	Int.	Cut Off	Remarks
1	300156251D	BACK PLATE ASSY	1			
2	20005558AA	HEX HEAD SCREW M10X1.25X25 -8.8 SA4GS	2			
3	20003671AD	SPRING WASHER B-10	2			
4	300186275A	GA OF TRAILER BRAKE PLUG ASSY. 1/2"	1			
5	10013166AB	FEMALE DUST PLUG	1			
6	300174783A	GA OF SOCKET ASSY. 1/2"	1			
7	300160761C	DELIVERY WITH HTB	1			
8	20005628AA	BENJO BOLT M18X1.5 IS:3174- 1974	1			
9	10012573AA	BONDED SEAL FOR M18	13			
10	10085218AC	ADOPTER 3/4 FOR HISARLAR CABIN	1			
11	10068285AA	ORFS CONNECTION M22X1.5 / 1 3/16-12 UNF	1			
12	10065893AB	O-RING 18.77X1.78	1			
13	300170392C	FLEXIBLE PIPE STG. UNIT TO STG. OIL TANK	1			
14	20004381AC	SOCKET HEAD SCREW M8X1.25X20 -8.8 (SA4JS	1			
15	04030400008	SPRING WASHER B-8	1			
16	10051486AB	VIBRATION DAMPER D12X32	1			
17	10038398AA	CLAMP ASSY	1			
18	20003355AE	HEX NUT M8X1.25 -8 SA2JS	1			
19	300180179A	BRACKET PLATE FOR HTB PIPE CLAMPING	1			
20	20003670AC	SPRING WASHER B-8 TYPE-A IS:3063-1972	2			
21	20001096AA	HEX. HEAD SCREW M8 X 1.25 X 20 8-8 SA2JS	2			
22	300172924A	SECONDARY PIPE FROM HTB VALVE TO LIFT	1			
23	300173031A	PRIMARY PIPE FROM HTB VALVE TO LIFT	1			
24	300176936A	PIPE HTB TO QRC	1			
25	10067936AB	BANJO BOLT (M18X1.5)	4			
26	300344384A	TUBE & HOSE ASSEMBLY FROM HTB TO TANK	1			
27	300025635B	ADOPTER M18X1.5/M18X1.5	1			
28	10082633AA	BANJO BOLT (M18X1.5)	1			
29	20003245AC	HEX. SCREW M12X1.75X40 - 8.8 SA4GS	1			
30	20004993AB	SPRING WASHER B-12TYPE-A IS:3063-1972	1			
31	300092452A	BRACKET ASSY. FOR HTB MOUNTING	1			
32	10081598AB	VIBRATION DAMPER D20X32	1			
33	300182530A	CLAMP ASSY FOR PIPE PUMP TO LIFT	1			
34	20003326AA	HEX BOLT M6X50	4			NOT SERVICEABLE
35	20005516AA	SPRING WASHER B-6 TYPE A IS:3067-1972	4			

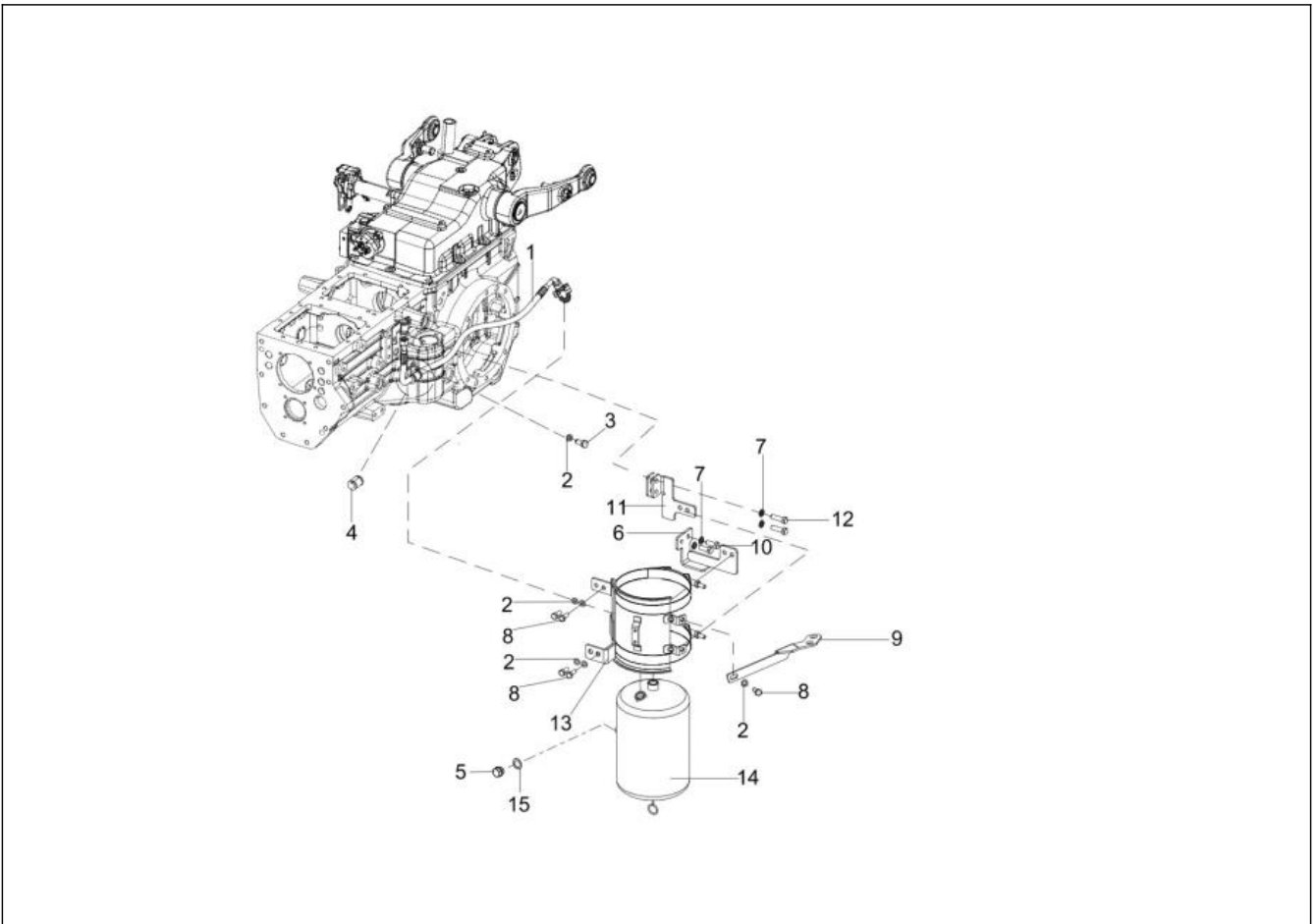
36	300176789A	PIPE PUMP TO HTB	1			
37	10007240AC	O-RING (DIA 23.5*1.78)	1			
38	300117843C	HYD PUMP-25CC REXROTH	1			
39	20004650AA	HEX HEAD SCREW M16X2X35 8.8 SA3NS	2			
40	20003674AB	SPRING WASHER B-16 TYPE- A IS:3063-1972	2			

HYDRAULICS  
 HY-12-2\_HTB ONLY



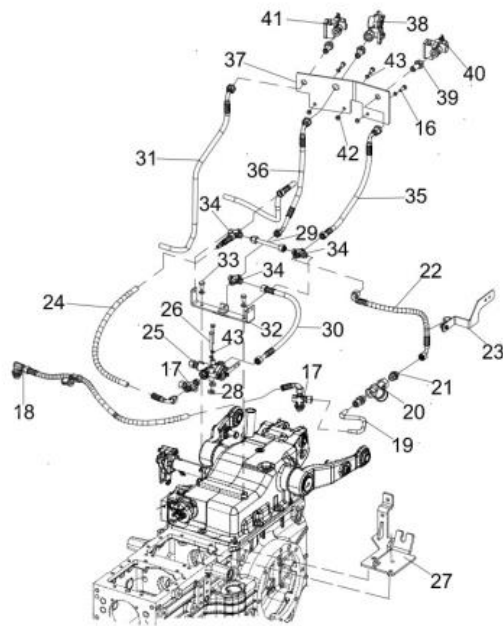
Sr.No	Part Code	Description	Qty	Int.	Cut Off	Remarks
41	20003674AB	SPRING WASHER B-16 TYPE-A IS:3063-1972	2			
42	200002228A	HEX. HEAD SCREW M16X2X25 8.8 SA3NS	2			
43	10004177AB	PIN FOR ACCELATOR	2			
44	20005527AA	SPLIT PIN DIA 1.6*20	2			
45	300092529B	LINK PLATE	1			
46	300181486A	ACTUATOR ASSLY.	1			
47	20005516AA	SPRING WASHER B-6 TYPE A IS:3067-1972	6			
48	20003790AA	EXTERNAL CIPCLIP TYPE -E DIA 6 X 0.7	3			
49	04030600008	PLAIN WASHER DIA 8.4 *DIA 17*1.6	5			
50	10028304AB	SPHERE PUSHING PIN	1			
51	10006978AC	SPRING CHECK	1			
52	20000104AA	HEX SCREW M6*10	2			
53	20004436AB	HEX. HEAD SCREW M10X1.5X30 8.8 SA2JS	1			
54	10028327AC	FRONT PLATE	1			
55	20003329AC	HEX BOLT M8*1.25*60 8-8 SA4JS	2			
56	10028332AA	BOSCH BRAKE VALVE	1			
57	300280053A	TUBE ASSEMBLY FROM HTB N TO MMV P PORT	1			OPTIONAL WITH HTB & MID MOUNT COMBINATION
58	10067936AB	BANJO BOLT (M18X1.5)	2			OPTIONAL WITH HTB & MID MOUNT COMBINATION
59	10012573AA	BONDED SEAL FOR M18	4			OPTIONAL WITH HTB & MID MOUNT COMBINATION
60	20005518AA	SPRING WASHER B-10 TYPE A IS:3067-1972	1			
61	300181475B	HYDRAULIC TRAILER VALVE BRACKET	1			

HYDRAULICS  
HY-13-1\_DATB LH



Sr.No	Part Code	Description	Qty	Int.	Cut Off	Remarks
1	300163005C	FLEXIBLE HOSE FROM RESERVOIR 1 TO RESE 2	1			
2	20005518AA	SPRING WASHER B-10 TYPE A IS:3067-1972	6			
3	20005585AA	HEX HEAD SCREW M10X20 8.8 SA4GS	1			
4	10029735AB	VIBRATION DAMPER	1			
5	10012460AE	10012460AC PLUG M22X1.5	1			
6	300347102A	MNTG BKT FOR AIR RESERVOIR (LH) LOWER	1			
7	20004993AB	SPRING WASHER B-12TYPE-A IS:3063-1972	4			
8	20005553AA	HEX HEAD SCREW M10X1.5X25 SA4GS	5			
9	300334591A	MOUNTING BRACKET TOP SUPPORT	1			
10	20003243AB	HEX SCREW M12*1.75*30	2			
11	300309905A	MOUNTING BRACKET FOR AIR RESERVOIR (LH)	1			
12	20004192AA	HEX SCREW M12X1.75X40 SA3NS	2			
13	300309906A	BRACKET MTG ASSEMBLY LH	1			
14	10068258AA	AIR RESERVOIR	1			
15	20003644AB	SEALING WASHER 22X29	1			

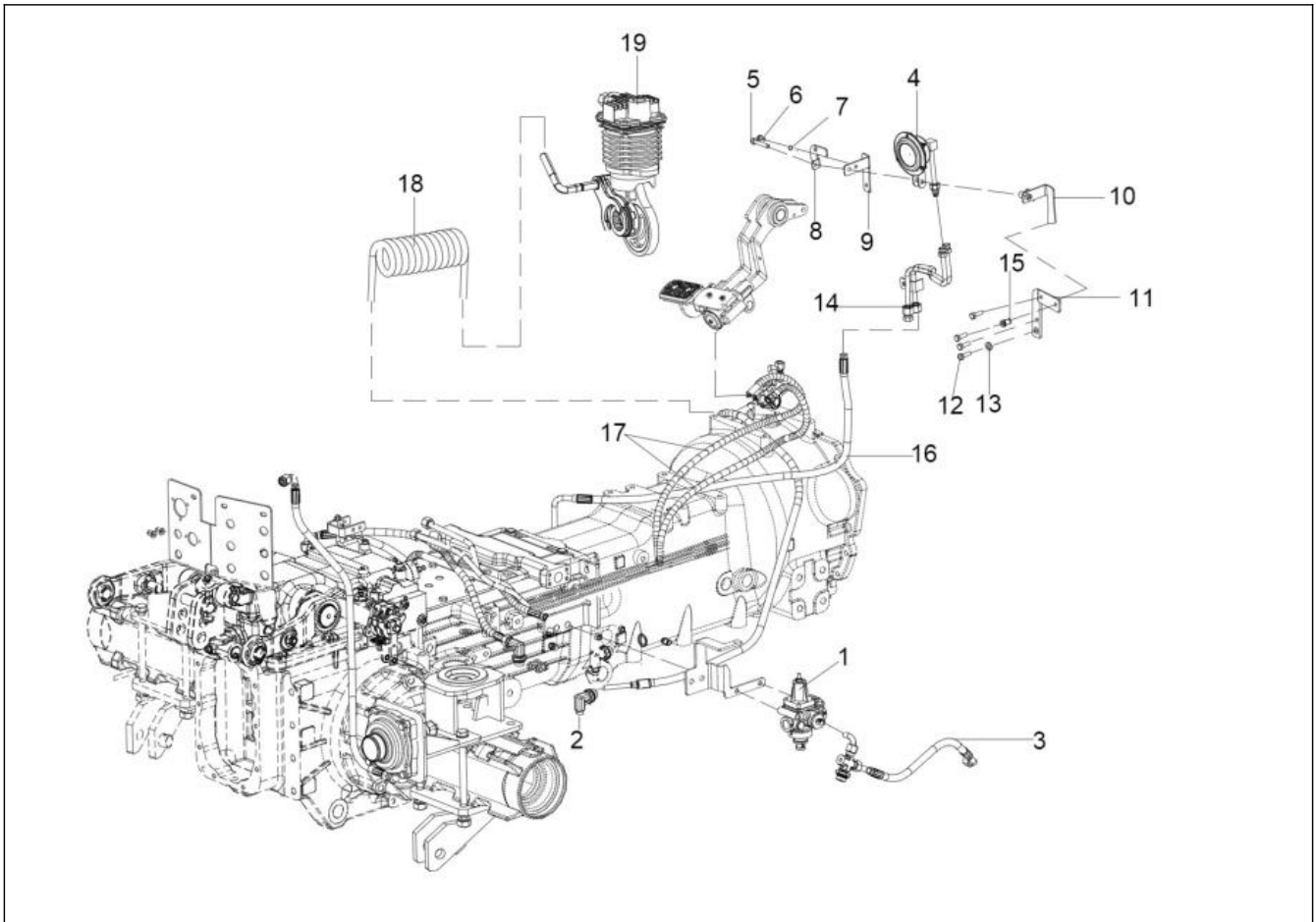
HYDRAULICS  
HY-13-2\_DATB LH



Sr.No	Part Code	Description	Qty	Int.	Cut Off	Remarks
16	20005564AA	HEX HEAD SCREW M8X1.25-25 -8.8 SA4GS	3			
17	300113024A	TEE M22*1.5_M18*1.5_M18*1.5	3			
18	300163081C	FLEXIBLE HOSE TO RESERVOIR 2 FROM TEE	1			
19	300163121A	PIPE FROM TEE TO AIR FILTER	1			
20	10024803AA	AIR FILTER	1			
21	10068270AB	ADOPTER M22X1.5/M18X1.5	1			
22	300163164B	PIPE FROM AIR CLEANER TO TCV	1			
23	300284421A	CLAMP ASSEMBLY	1			
24	300163995A	PIPE FROM TCV TEE TO HAND BRAKE	1			
25	10067727AA	HAND BRAKE VALVE	1			
26	20003330AA	HEX BOLT M8*1.25*85 8-8 SA3NS	2			
27	300172750B	PTO WIRE MTG BKT LOWER ASSY FOR DATB	1			
28	300163401A	SPACER 5MM.	2			
29	300175386A	PIPE ASSEMBLY TEE TO TEE	1			
30	300164068B	PIPE FROM HAND BRAKE TO TCV TEE	1			
31	300175452A	PIPE ASSEMBLY TEE TO TEE	1			
32	300175536B	EQUAL TEE MTG BRACKET	1			
33	20003235AB	HEX SCREW M10X20	2			
34	10067952AB	EQUAL TEE FOR 12 OD TUBE	2			
35	300175329B	PIPE ASSEMBLY FILTER TO COUPLING THRUTEE	1			
36	300175516B	PIPE ASSEMBLY TEE TO COUPLING	1			
37	300183375B	MOUNTING BRACKET COUPLING HEAD ASSY	1			
38	10067731AA	COUPLING HEAD - BRAKE (YELLOW)	1			
39	10068309AC	ADOPTER M16X1.5 & M18X1.5	3			
40	10067729AA	COUPLING HEAD - SUPPLY (RED)	1			
41	10067730AA	COUPLING HEAD - SINGLE LINE (BLACK)	1			
42	20003355AE	HEX NUT M8X1.25 -8 SA2JS	3			
43	20005517AA	SPRING WASHER B-8 TYPE A IS:3067-1972	5			

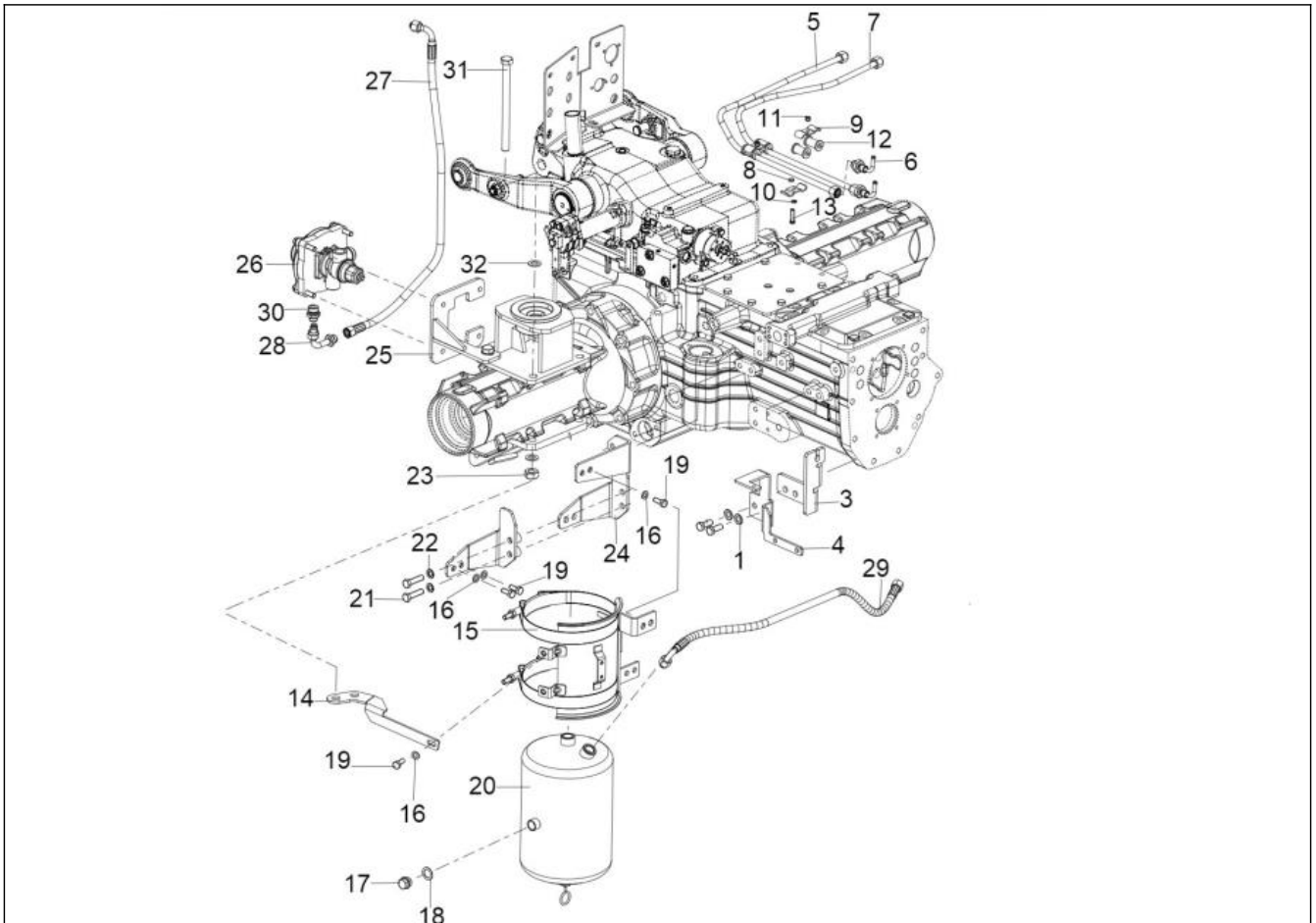


HYDRAULICS  
HY-14-1\_DATB RH



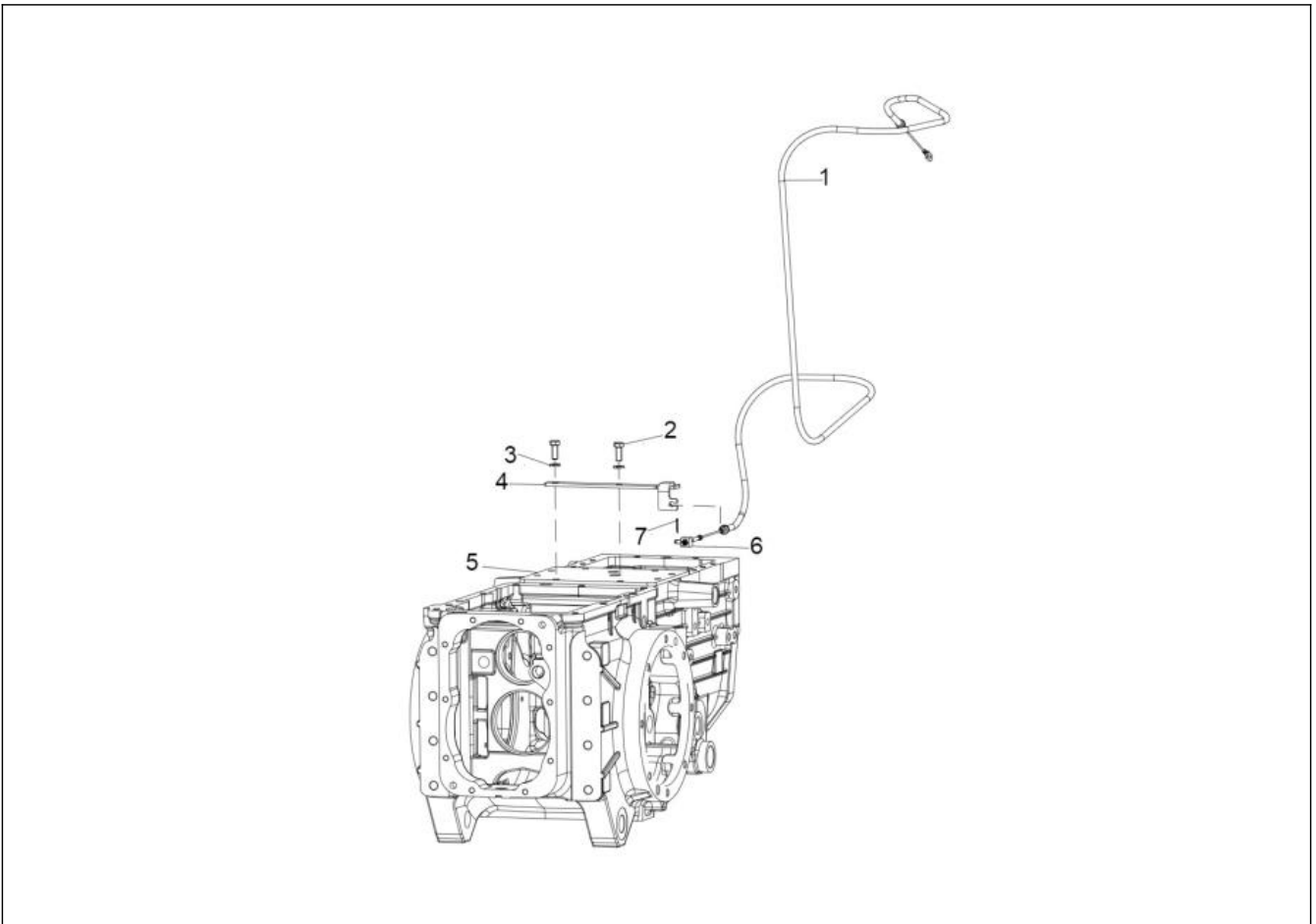
Sr.No	Part Code	Description	Qty	Int.	Cut Off	Remarks
1	10067724AA	UNLOADER VALVE	1			
2	10068269AB	90°;ADJUSTABLE STUD ELBOW M22X1.5&M18X1.5	2			
3	300156385B	FLEXIBLE HOSE UV TO TEE	1			
4	10067992AA	AIR PRESSURE GUAGE	1			
5	04040708045	HEX BOLT M8X1.25X45	1			CHILD PART OF S.NO. 4
6	04040106016	HEX SCREW M6*16	1			CHILD PART OF S.NO. 4
7	04030400006	SPRING WASHER B-6	1			CHILD PART OF S.NO. 4
8	300188457A	BASE CLAMP	1			CHILD PART OF S.NO. 4
9	300188059A	PRESSURE GAUGE CLAMP LH	1			CHILD PART OF S.NO. 4
10	300188058A	PRESSURE GAUGE CLAMP RH	1			CHILD PART OF S.NO. 4
11	300187867B	GAUGE MOUNTING PLATE	1			
12	20005564AA	HEX HEAD SCREW M8X1.25-25 -8.8 SA4GS	4			
13	04030400008	SPRING WASHER B-8	4			
14	300185365B	PIPE FROM PRESSURE GUAGE TO HOSE	1			
15	300001336A	INSERT (M8X1.25)	2			
16	300184113B	FLEXIBLE HOSE FROM PSI TO RESERVOIR	1			
17	300175729B	HOSE FROM DUAL CONTROL VALVE	1			
18	300037456A	PRIMARY PIPE FROM AIR COMPRESSOR TO UNLOADER VALVE	1			
19	300171831A	AIR COMPRESSOR ASSY STAGE V	1			

HYDRAULICS  
HY-14-2\_DATB RH



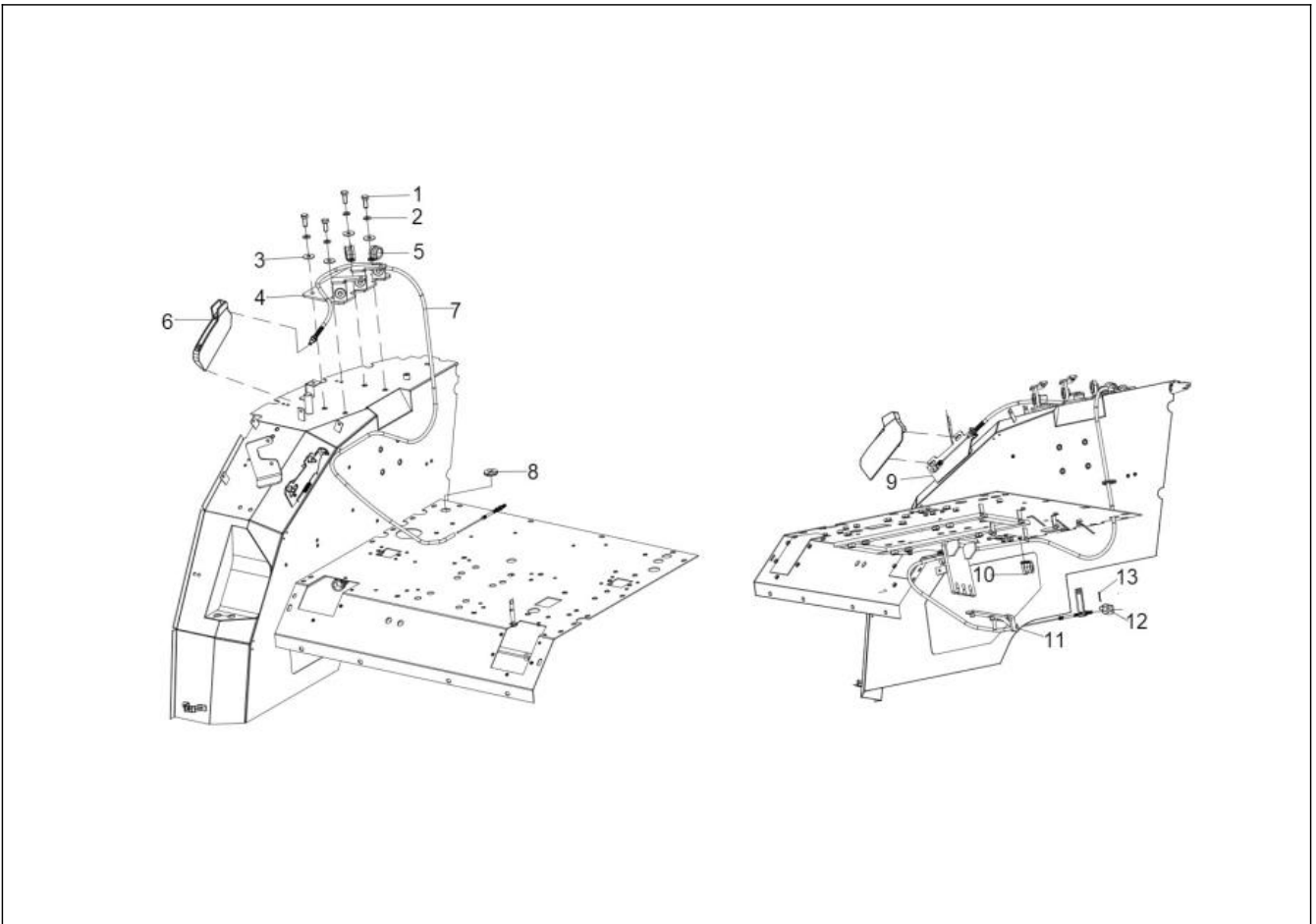
Sr.No	Part Code	Description	Qty	Int.	Cut Off	Remarks
1	20004940AB	M/C WASHER DIA 13*DIA 24*2.5	2			
3	300190714B	IPTO CABLE MOUNTING BKT	1			
4	300183460C	UNLOADER VALVE MOUNTING BRACKET ASSY	1			
5	300187503B	PIPE FROM BRAKE TO HAND BRAKE VALVE	1			
6	10068287AB	ADOPTER M18X1.5 WITH FLARING	3			
7	300163943B	PIPE FROM TEE TO BRAKE PEDAL	1			
8	10067717AC	10067717_SPACER	4			CHILD PART OF SR.NO.9
9	10068012AC	CLAMP ASSY FOR4WD CLUTCH AND DIFF LOCK P	4			
10	20005516AA	SPRING WASHER B-6 TYPE A IS:3067-1972	3			
11	20004251AB	HEX NYLOCK NUT M16X1.5	2			
12	10051486AB	VIBRATION DAMPER D12X32	4			
13	20005570AA	HEX SCREW M6X25	2			
14	300334591A	MOUNTING BRACKET TOP SUPPORT	1			
15	300309906A	BRACKET MTG ASSEMBLY LH	1			
16	20005518AA	SPRING WASHER B-10 TYPE A IS:3067-1972	5			
17	10012460AE	10012460AC PLUG M22X1.5	2			
18	20003644AB	SEALING WASHER 22X29	1			
19	20005553AA	HEX HEAD SCREW M10X1.5X25 SA4GS	5			
20	10068258AA	AIR RESERVOIR	1			
21	20003244AB	HEX SCREW M12*1.75*35	2			
22	20004993AB	SPRING WASHER B-12TYPE-A IS:3063-1972	2			
23	20005513AA	HEX NUT M16X1.5 -8 SA2GS	8			
24	300346953A	DATB MOUNTING BRACKET RH	1			
25	300176581B	MOUNTING BRACKET CONTROL VALVE ASSEMBLY	1			
26	10067728AA	TRAILER CONTROL VALVE SINGLE	1			
27	300175452A	PIPE ASSEMBLY TEE TO TEE	1			
28	10068333AB	SEC PIPE CONTROL VALVE TO COUPLING HEAD	1			
29	300163005B	FLEXIBLE HOSE FROM RESERVOIR 1 TO RESE 2	1			
30	10068270AB	ADOPTER M22X1.5/M18X1.5	1			
31	10080346AB	HEX BOLT	8			
32	20005456AA	PUNCHED WASHER A(16) IS:2016 STEEL	16			

HYDRAULICS  
HY-15\_LIFTOMATIC ASSY



Sr.No	Part Code	Description	Qty	Int.	Cut Off	Remarks
1	300187770C	LIFTOMATIC CABLE FOR SOLIS 75	1			
2	300005485A	STICKER FOR SERVICE & LIFT	2			
3	20005518AA	SPRING WASHER B-10 TYPE A IS:3067-1972	2			
4	10067748AD	10067748_MOUNTING_BRACKET_FOR_LIFTOMATIC_CABLE_ASSY	1			
5	300175115A	COVER PLATE	1			
6	10082764AD	SQUARE HEAD PIN	1			
7	20005526AA	SPLIT PIN DIA 2*25	1			

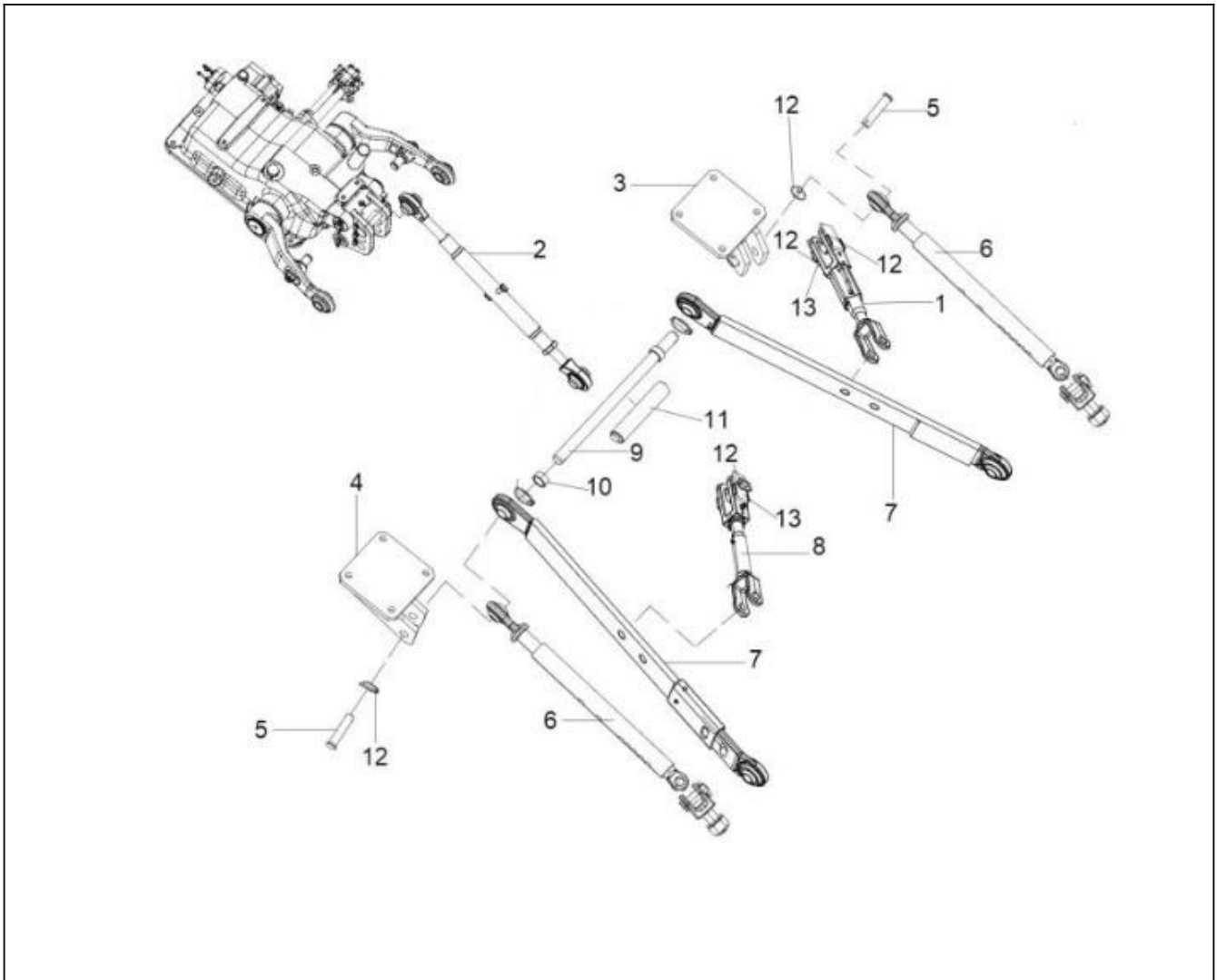
HYDRAULICS  
HY-16\_LIFTOMATIC ASSY



Sr.No	Part Code	Description	Qty	Int.	Cut Off	Remarks
1	20005553AA	HEX HEAD SCREW M10X1.5X25 SA4GS	4			
2	20005518AA	SPRING WASHER B-10 TYPE A IS:3067-1972	4			
3	20005523AA	PLAIN WASHER A 10.5 IS:5370 STEEL	4			
4	300173625B	DCV LEVER MTG BKT ASSY	1			
5	300189326A	PIPE CLAMP FOR DIA 24 (M10)	2			
6	300281783A	SWITCH ASSY LIFTOMATIC	1			
7	300281576A	LIFT-O-MATIC CABLE FOR STAGE V	1			
8	300213803A	GROMMET FENDER HARNESS	1			
9	300281581A	LIFT-O-MATIC MTG BKT	1			
10	300189327A	PIPE CLAMP FOR DIA 24 (M8)	2			
11	10067748AD	10067748_MOUNTING_BRACK ET_FOR_LIFTOMATIC_CABLE _ASSY	1			
12	10039509AA	FIP LINK PIN	1			
13	20005527AA	SPLIT PIN DIA 1.6*20	1			



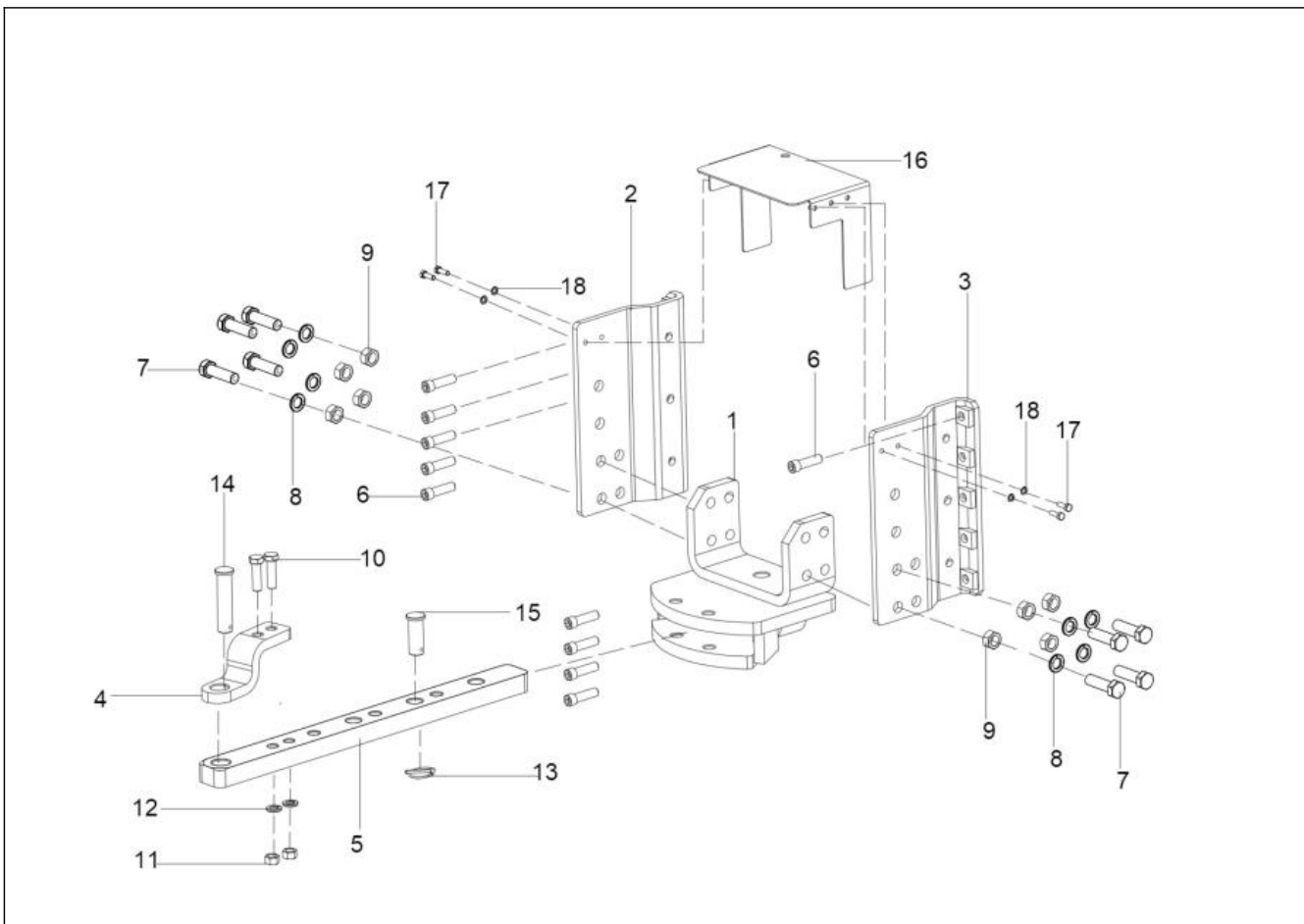
HYDRAULICS  
HY-17\_THREE POINT LINKAGE AREA



Sr.No	Part Code	Description	Qty	Int.	Cut Off	Remarks
1	10080049AC	TIE ROD ASSY LH	1			
2	10080050AC	TOP LINK ASSY	1			
3	10080289AE	SUPPORT PLATE ASSY. RH	1			
4	10080288AE	SUPPORT PLATE ASSY LH	1			
5	10086454AB	PIN SUPPORT PLATE	2			
6	10080041AD	STABLIZER ASSY	2			
7	10080051AB	LOWER LINK ASSY	2			
8	10080048AC	TIE ROD ASSY RH(WITH HANDLE)	1			
9	10080040AH	SHAFT LOWER LINK	1			
10	10080036AD	BUSH SHAFT LOWER LINK	2			
11	10080039AE	TUBE ASSY	1			
12	10087923AA	LINCH PIN ASSY.(~7)	4			CHILD PART OF S.NO 1 AS WELL AS 8

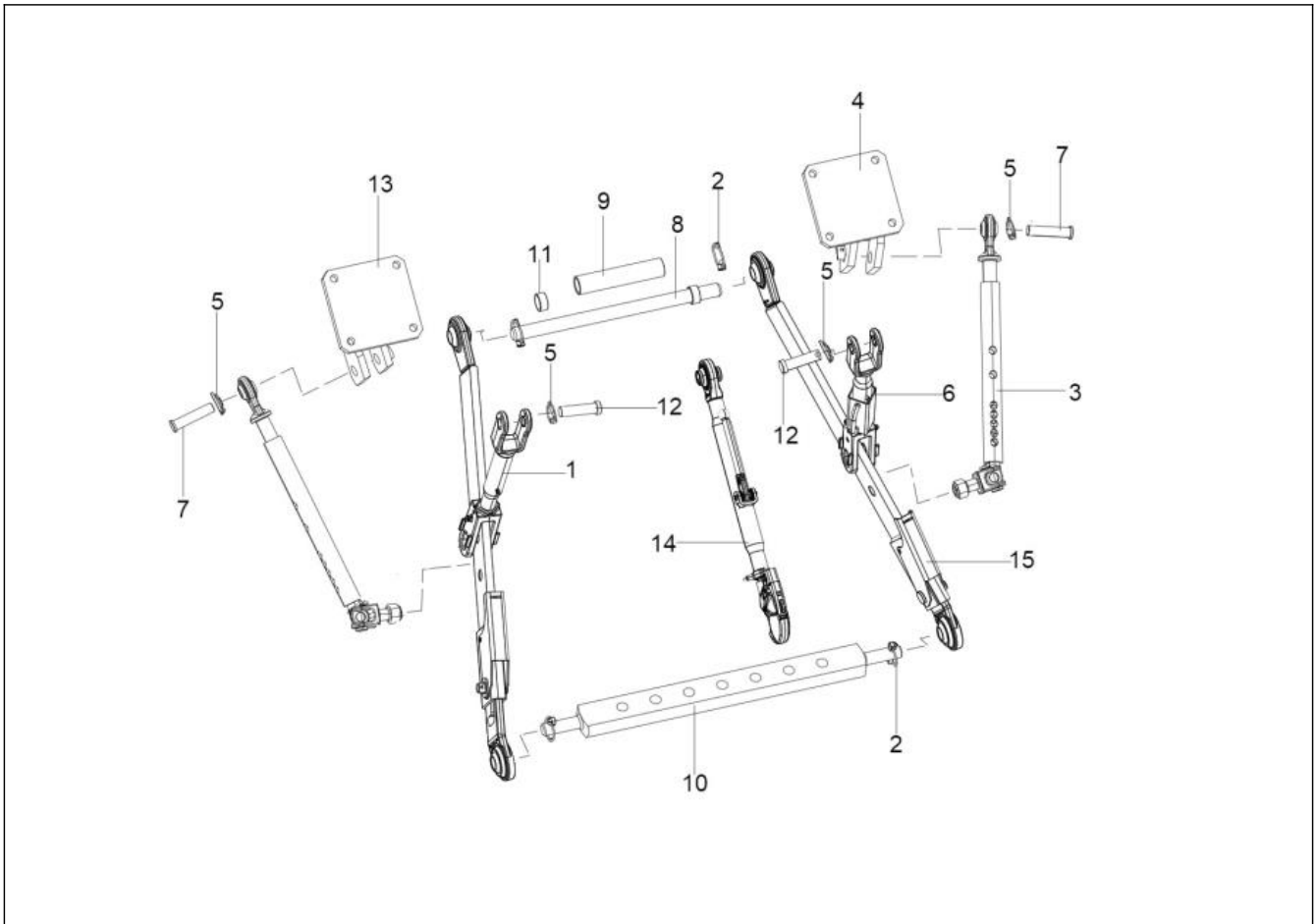
HYDRAULICS

HY-18\_SWINGING DRAWBAR ASSY



Sr.No	Part Code	Description	Qty	Int.	Cut Off	Remarks
1	10082645AA	SWINGING DRAWBAR (EXPORT E-MARK)	1			
2	10081714AE	REAR BKT LONG LT	1			
3	10081715AE	REAR BKT LONG RT	1			
4	10029055AA	TOP SUPPORT DRAW BAR	1			
5	10028847AB	SWINGING BAR E-MARK	1			
6	10081749AA	SOCKET HEAD SCREW	10			
7	20005465AA	HEX HEAD SCREW M20*2.5*70 10.9 SA4GS	8			
8	20005457AA	SPRING WASHER B-20 JIS B 1251 NO.2 20S	8			
9	20005494AA	HEX NUT M20 X 2.5 -8 SA4GS	8			
10	20004094AD	HEX BOLT M16X2X50 8.8 SA4GS	2			
11	20005493AA	HEX NUT M16X2 -8 SA4GS	2			
12	20004994AB	SPRING WASHER B-16 TYPE- A IS:3063-1972	2			
13	10087923AA	LINCH PIN ASSY.(#195;7)	1			
14	300031646A	PIN ASSY ( FOR TRAILOR HOOK)	1			
15	10080304AD	PIN	1			
16	10081716AD	PTO GUARD	1			
17	20005564AA	HEX HEAD SCREW M8X1.25- 25 -8.8 SA4GS	4			
18	20005517AA	SPRING WASHER B-8 TYPE A IS:3067-1972	4			

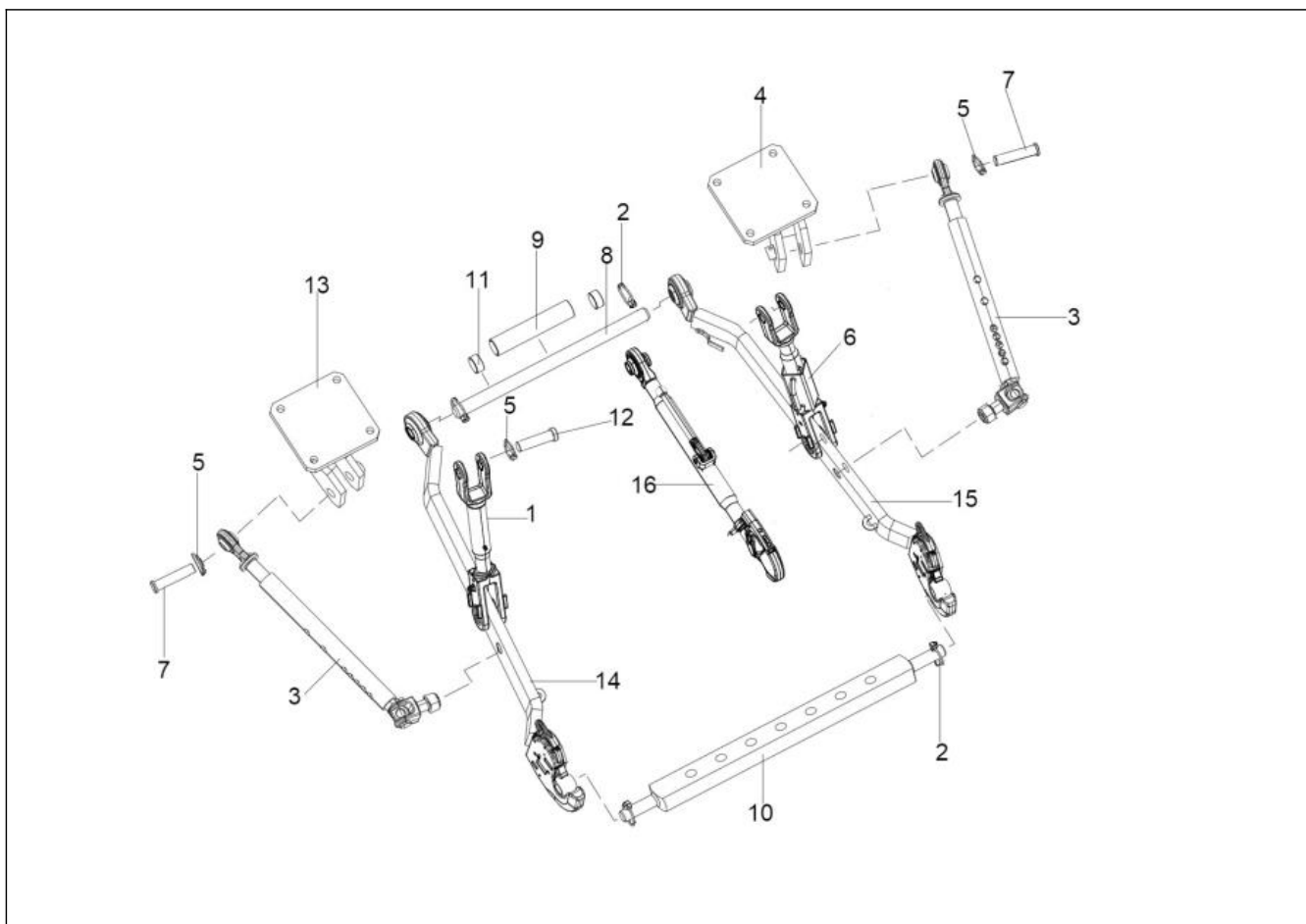
HYDRAULICS  
HY-19\_THREE POINT LINKAGES FIXED TYPE



Sr.No	Part Code	Description	Qty	Int.	Cut Off	Remarks
1	300156878A	LIFT ROD - LH	1			
2	10004256AC	LINCH PIN ASSY	4			
3	300156895A	STABILIZER ASSY.	2			
4	10080289AE	SUPPORT PLATE ASSY. RH	1			
5	10087923AA	LINCH PIN ASSY.(&#195;7)	4			
6	300156877A	LIFT ROD - RH	1			
7	10086454AB	PIN SUPPORT PLATE	2			
8	10080040AH	SHAFT LOWER LINK	1			
9	10080039AE	TUBE ASSY	1			
10	10069556AB	DRAW BAR	1			
11	10080036AD	BUSH SHAFT LOWER LINK	2			
12	10066768AA	LIFT ARM PIN	2			
13	10080288AE	SUPPORT PLATE ASSY LH	1			
14	300171889A	TOP LINK ASSY.	1			
15	10080051AB	LOWER LINK ASSY	2			

## HYDRAULICS

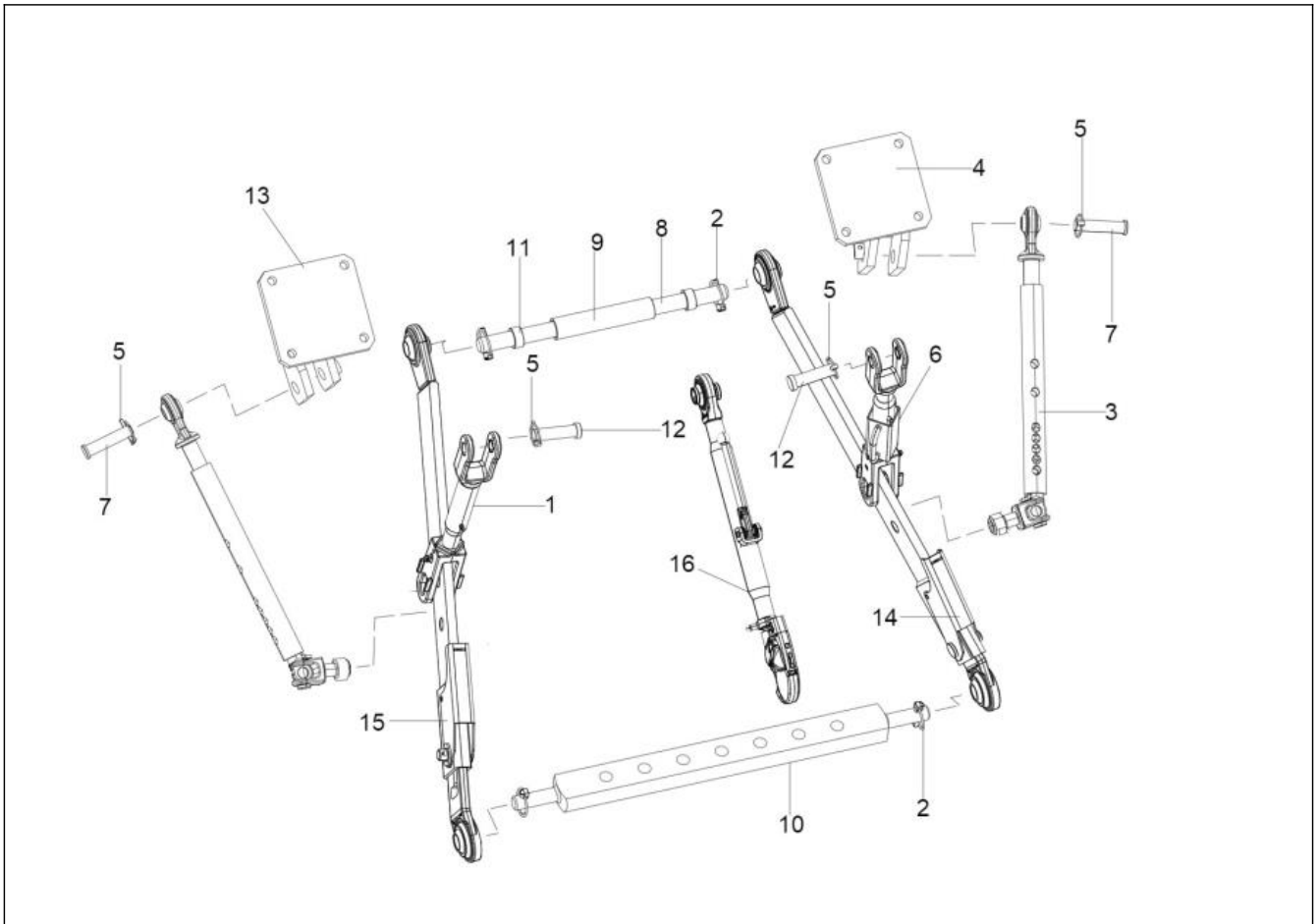
## HY-20\_THREE POINT LINKAGES HOOK TYPE



Sr.No	Part Code	Description	Qty	Int.	Cut Off	Remarks
1	300156878A	LIFT ROD - LH	1			
2	10004256AC	LINCH PIN ASSY	4			
3	300156895A	STABILIZER ASSY.	2			
4	10080289AE	SUPPORT PLATE ASSY. RH	1			
5	10087923AA	LINCH PIN ASSY.(#195;7)	6			
6	300156877A	LIFT ROD - RH	1			
7	10086454AB	PIN SUPPORT PLATE	2			
8	10080040AH	SHAFT LOWER LINK	1			
9	10080039AE	TUBE ASSY	1			
10	10069556AB	DRAW BAR	1			
11	10080036AD	BUSH SHAFT LOWER LINK	2			
12	10066768AA	LIFT ARM PIN	2			
13	10080288AE	SUPPORT PLATE ASSY LH	1			
14	300156881A	LOWER LINK LH	1			
15	300156884A	LOWER LINK RH	1			
16	300171890A	TOP LINK W/HOOK CAT-2 WITH BALL CAT-2	1			

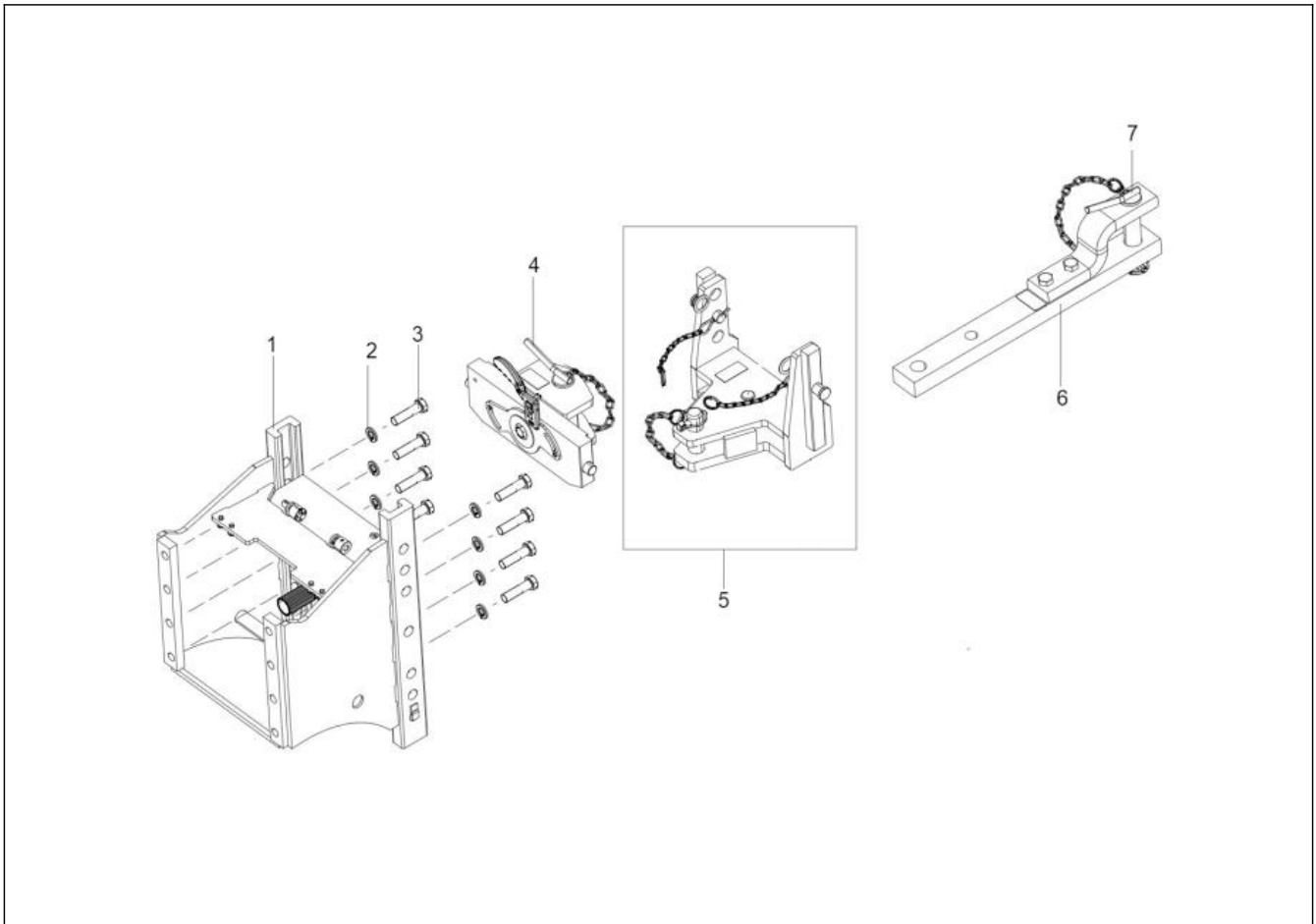


HYDRAULICS  
HY-21\_THREE POINT LINKAGES TELESCOPIC TYPE



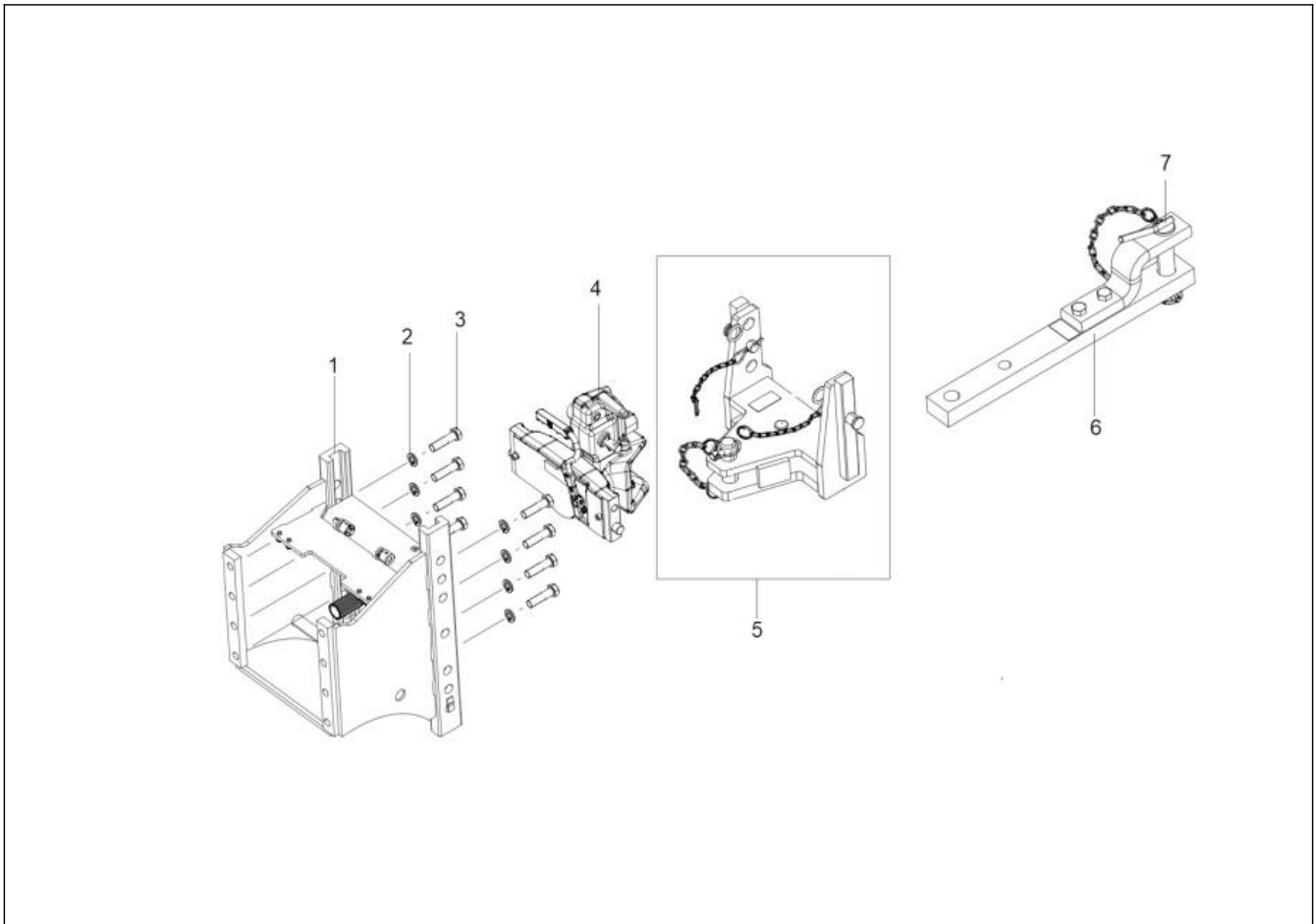
Sr.No	Part Code	Description	Qty	Int.	Cut Off	Remarks
1	300156878A	LIFT ROD - LH	1			
2	10087916AA	LINCH PIN	4			
3	300156895A	STABILIZER ASSY.	2			
4	10080289AE	SUPPORT PLATE ASSY. RH	1			
5	10087923AA	LINCH PIN ASSY.(#195;7)	6			
6	300156877A	LIFT ROD - RH	1			
7	10086454AB	PIN SUPPORT PLATE	2			
8	10080040AH	SHAFT LOWER LINK	1			
9	10080039AE	TUBE ASSY	1			
10	10069556AB	DRAW BAR	1			
11	10080036AD	BUSH SHAFT LOWER LINK	2			
12	10066768AA	LIFT ARM PIN	2			
13	10080288AE	SUPPORT PLATE ASSY LH	1			
14	300171897A	LOWER LINK TELESCOPIC RH	1			
15	300171895A	LOWER LINK TELESCOPIC LH	1			
16	10080050AC	TOP LINK ASSY	1			

HYDRAULICS  
HY-22\_CUNA HITCH



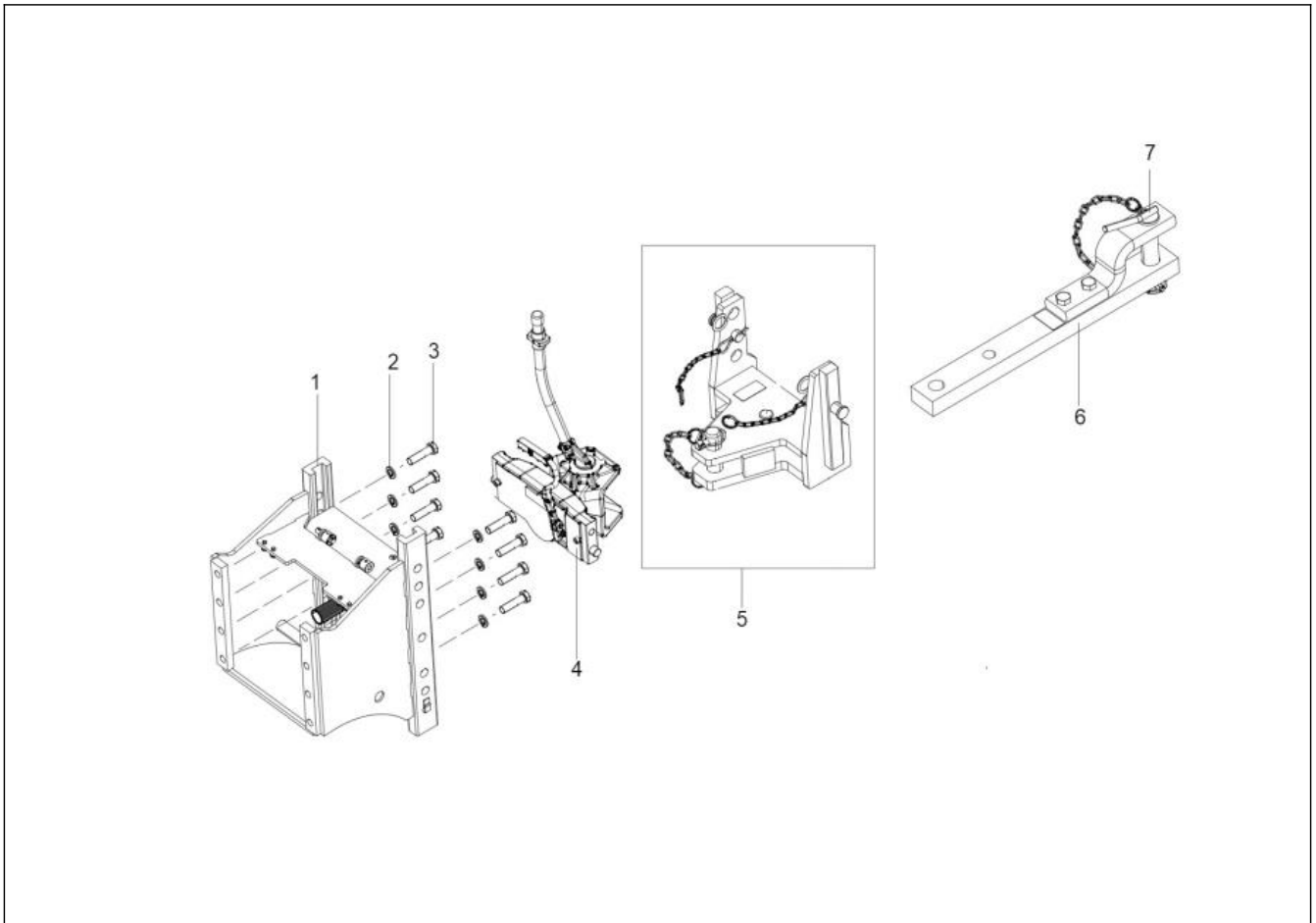
Sr.No	Part Code	Description	Qty	Int.	Cut Off	Remarks
1	300184929A	SLIDER STAGE-5, 50-60HP	1			
2	20004994AB	SPRING WASHER B-16 TYPE- A IS:3063-1972	8			
3	10081749AA	SOCKET HEAD SCREW	8			
4	300184941A	300184941/A;2-CUNA HITCH	1			
5	300184934A	MODULAR DRAWBAR BRACKET	1			
6	300241596A	SWINGING DRAW BAR ASSY.	1			
7	300030644A	EEC DRAWBAR PIN ASSY	1			

HYDRAULICS  
HY-23\_AUTOMATIC PIN CLEVIS HITCH



Sr.No	Part Code	Description	Qty	Int.	Cut Off	Remarks
1	300184929A	SLIDER STAGE-5, 50-60HP	1			
2	20004994AB	SPRING WASHER B-16 TYPE-A IS:3063-1972	8			
3	10081749AA	SOCKET HEAD SCREW	8			
4	10018484AB	AUTOMATIC PIN CLEVIS HITCH (OPTIONAL)	1			
5	300184934A	MODULAR DRAWBAR BRACKET	1			
6	300241596A	SWINGING DRAW BAR ASSY.	1			
7	300030644A	EEC DRAWBAR PIN ASSY	1			

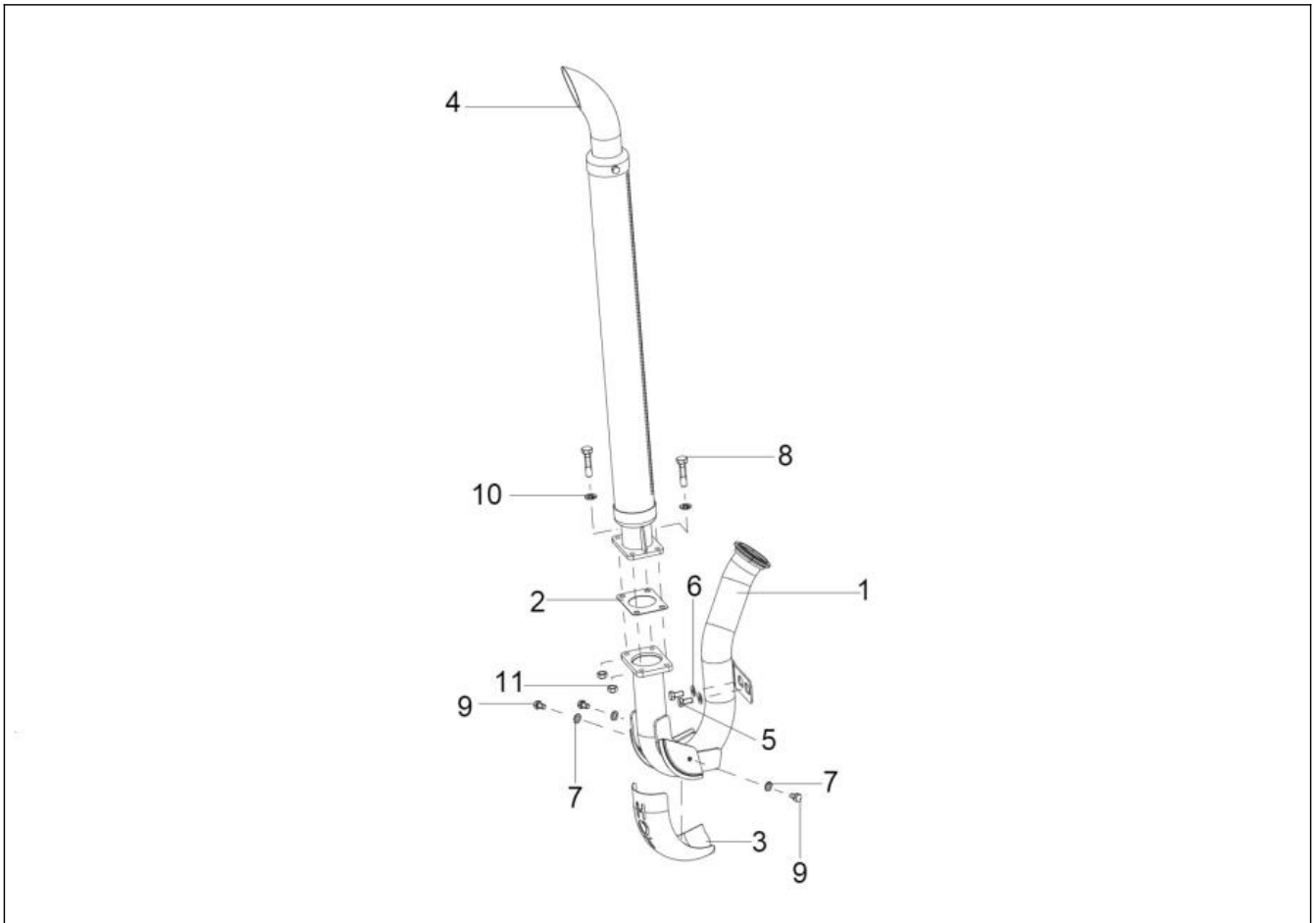
HYDRAULICS  
HY-24\_EEC CLEVIS HITCH



Sr.No	Part Code	Description	Qty	Int.	Cut Off	Remarks
1	300184929A	SLIDER STAGE-5, 50-60HP	1			
2	20004994AB	SPRING WASHER B-16 TYPE- A IS:3063-1972	8			
3	10081749AA	SOCKET HEAD SCREW	8			
4	10067523AC	EEC CLEVIS WITH SEMIAUTOMATIC PIN &#216; 31	1			
5	300184934A	MODULAR DRAWBAR BRACKET	1			
6	300241596A	SWINGING DRAW BAR ASSY.	1			
7	300030644A	EEC DRAWBAR PIN ASSY	1			

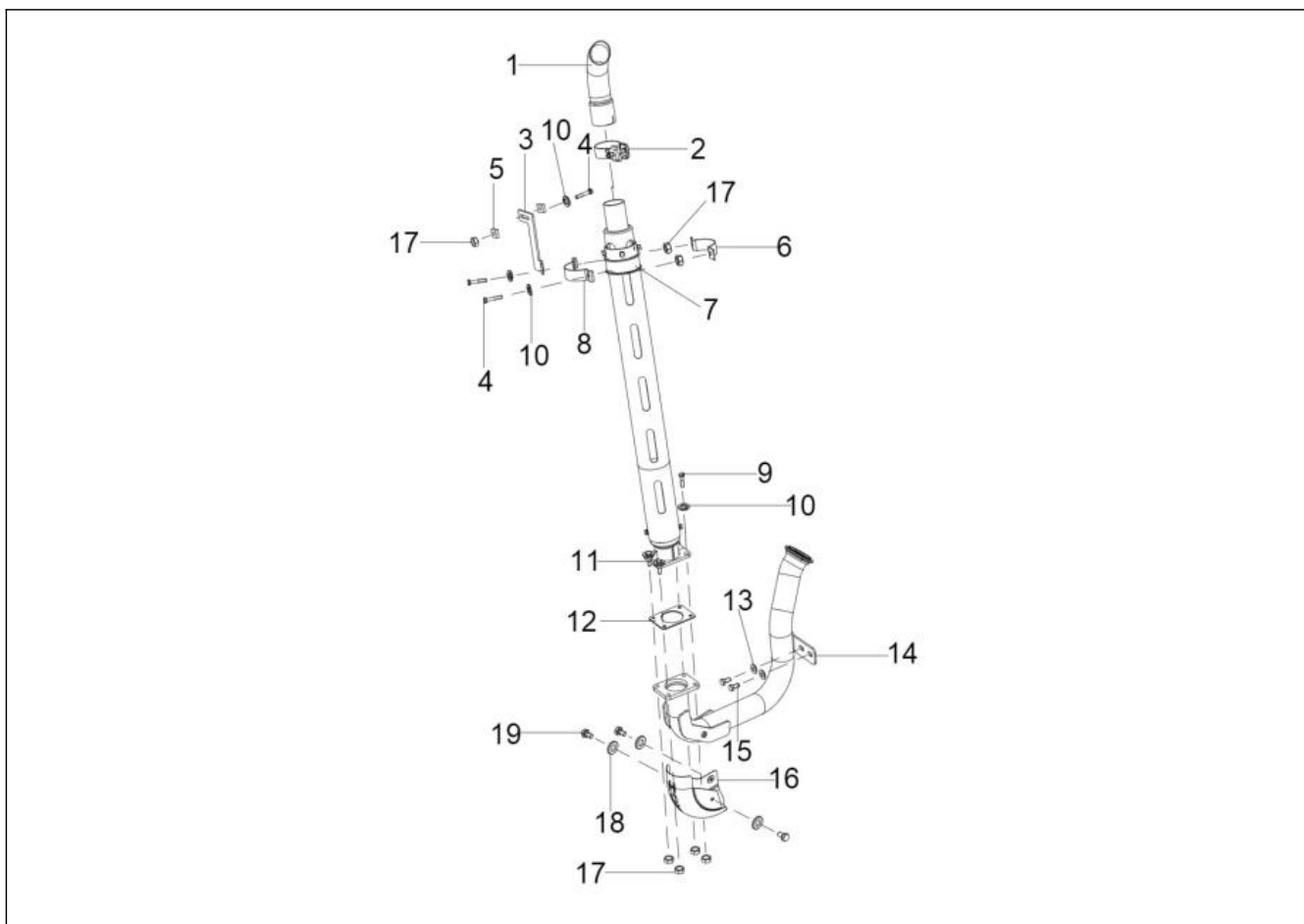


ENGINE AUXILIARY  
EA-1\_EXHAUST UPDRAFT ROPS



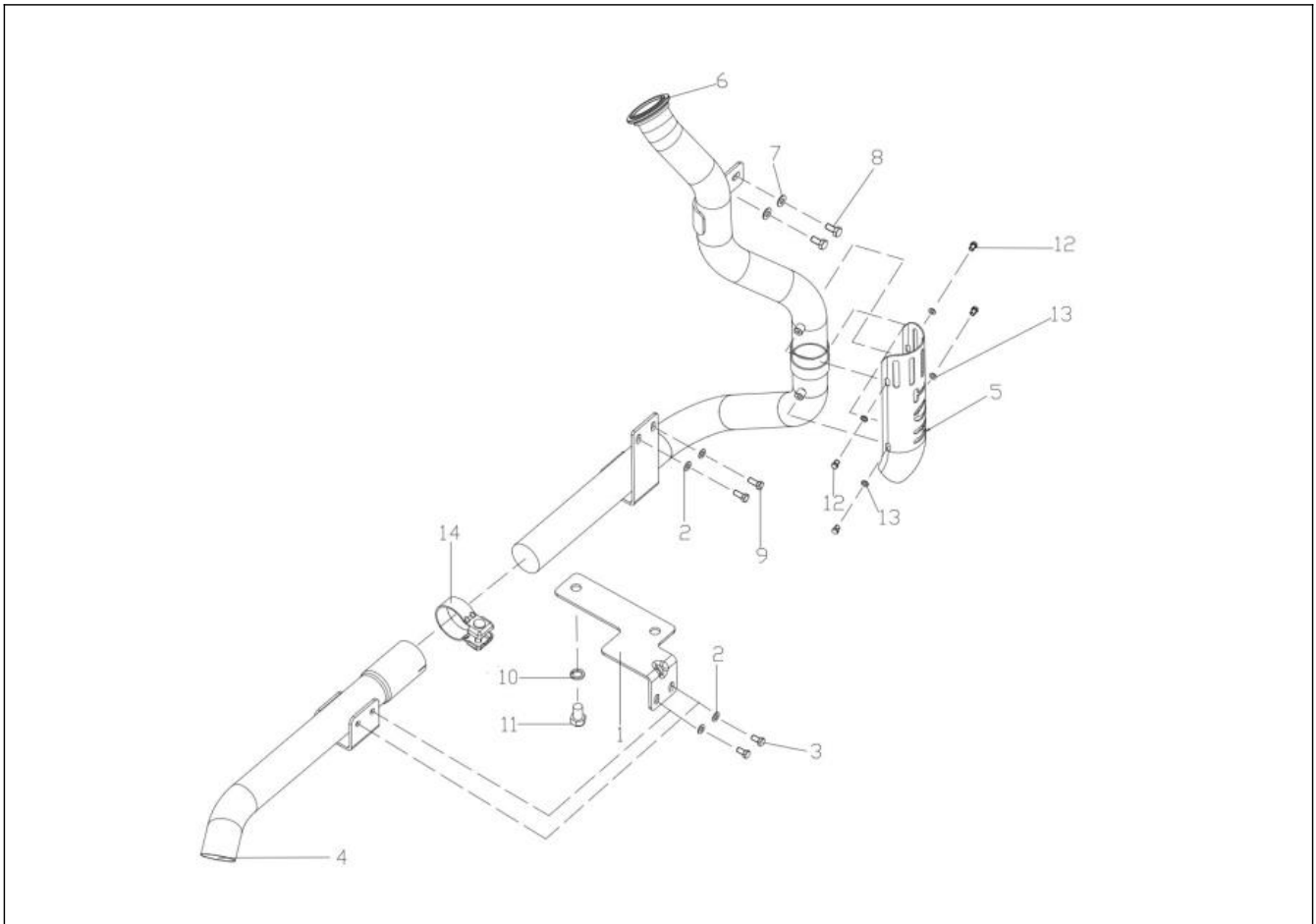
Sr.No	Part Code	Description	Qty	Int.	Cut Off	Remarks
1	300173278C	EXHAUST ELBOW ASSEMBLY.	1			
2	300164739A	GASKET FOR EXHAUST	1			
3	300024698A	COVER ASSY (EXHAUST ELBOW)	1			
4	10071354BD	EXHAUST PIPE ASSEMBLY 3-CYL	1			
5	20003235AB	HEX SCREW M10X20	2			
6	200000375A	M/C WASHER B10	2			
7	20004941AB	M/C WASHER DIA 6.4*DIA 12.4*1.6	3			
8	20005597AA	HEX HEAD BOLT M8X35_8.8 SA4GS	4			
9	20005573AA	HEX SCREW M6X10 8.8 SA2JS	3			
10	20005517AA	SPRING WASHER B-8 TYPE A IS:3067-1972	4			
11	300034282A	HEX NUT M8	4			
12	300179304A	V-BAND CLAMP SMALLER	1			UPDRAFT COMPATABILITY, NOT SHOWN
13	300179303A	GASKET MACHINE FLANGE SMALLER	1			UPDRAFT COMPATABILITY, NOT SHOWN

ENGINE AUXILIARY  
EA-2\_EXHAUST UPDRAFT CABIN



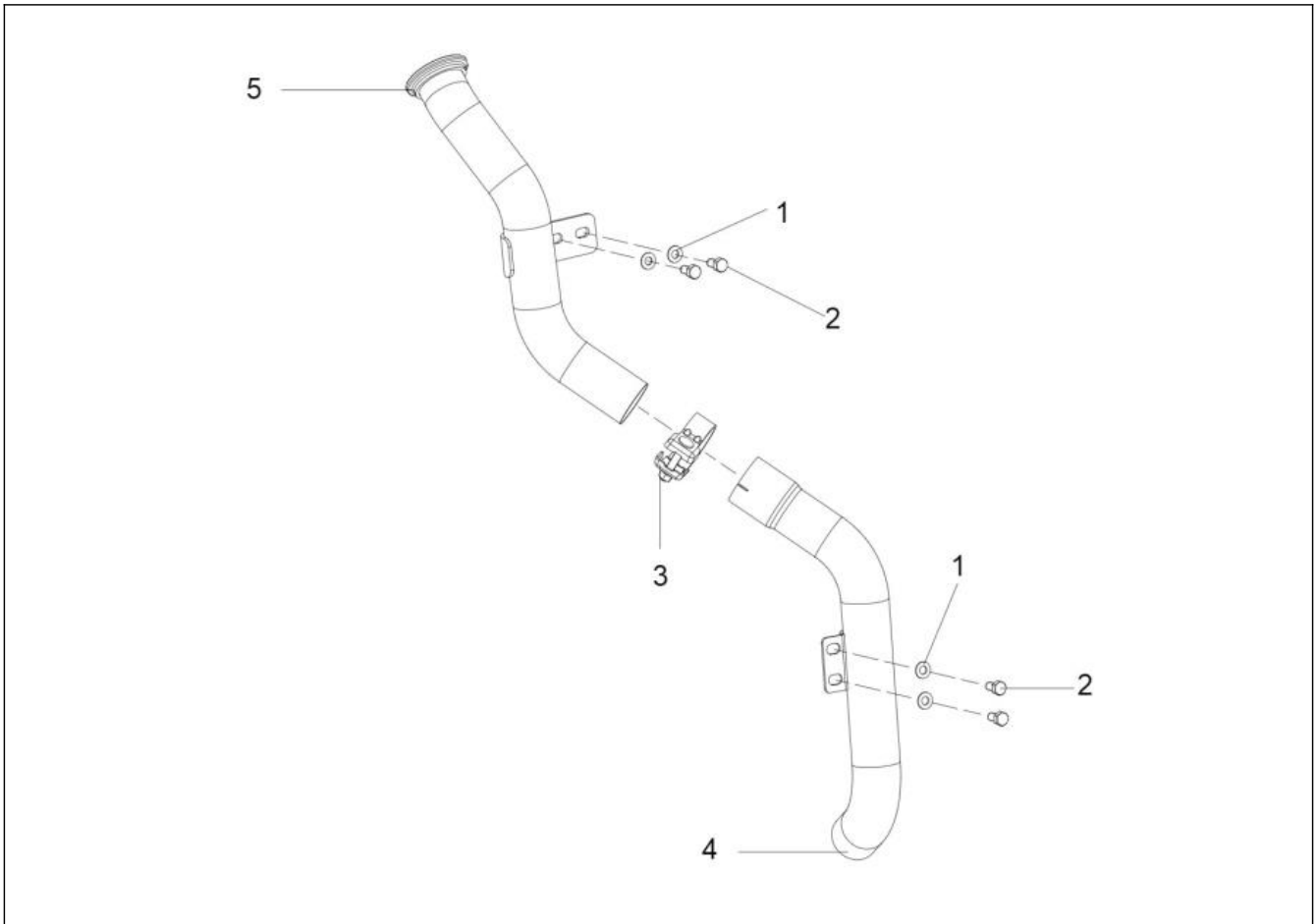
Sr.No	Part Code	Description	Qty	Int.	Cut Off	Remarks
1	10085114AA	EXHAUST PIPE TOP .	1			
2	300084794A	CLAMP FOR EXHAUST	1			
3	300108569B	STIFFENER	1			
4	20005548AA	HEX BOLT M8X1.25-45 -8.8 SA4GS	3			
5	300106078A	RUBBER SPACER	2			
6	300111334A	CLAMP LOWER HALF ASSY	1			
7	300108967A	RUBBER GROMMET FOR EXHAUST	1			
8	300111331A	UPPER CLAMP HALF	1			
9	20005597AA	HEX HEAD BOLT M8X35_8.8 SA4GS	4			
10	20005517AA	SPRING WASHER B-8 TYPE A IS:3067-1972	7			
11	10085113AB	EXHAUST PIPE MESH ASSY.	1			
12	300164739A	GASKET FOR EXHAUST	1			
13	200000375A	M/C WASHER B10	2			
14	300185346D	EXHAUST ELBOW ASSEMBLY. ( CABIN )	1			
15	20005585AA	HEX HEAD SCREW M10X20 8.8 SA4GS	2			
16	300024698A	COVER ASSY (EXHAUST ELBOW)	1			
17	300034282A	HEX NUT M8	7			
18	20004941AB	M/C WASHER DIA 6.4*DIA 12.4*1.6	3			
19	20005573AA	HEX SCREW M6X10 8.8 SA2JS	3			

ENGINE AUXILIARY  
EA-3\_EXHAUST DOWNDRAFT W/O LOADER



Sr.No	Part Code	Description	Qty	Int.	Cut Off	Remarks
1	300184170A	DOWNDRAFT MTG BKT ASSY	1			
2	04030600008	PLAIN WASHER DIA 8.4 *DIA 17*1.6	4			
3	20002059AD	HEX. HEAD SCREW M8X1.25X16 8.8 SA2JS	2			
4	300130841A	EXHAUST PIPE-2 DOWN DRAFT ASSY	1			
5	300187539A	MESH COVER DOWNDRAFT 60 HP	1			
6	300183940B	EXHAUST DOWNDRAFT PIPE ASSY.	1			
7	200000375A	M/C WASHER B10	2			
8	20005585AA	HEX HEAD SCREW M10X20 8.8 SA4GS	2			
9	20005565AA	HEX HEAD SCREW M8X1.25X20 -8.8 SA4GS	2			
10	20004994AB	SPRING WASHER B-16 TYPE- A IS:3063-1972	2			
11	200002228A	HEX. HEAD SCREW M16X2X25 8.8 SA3NS	2			
12	20005573AA	HEX SCREW M6X10 8.8 SA2JS	4			
13	20004941AB	M/C WASHER DIA 6.4*DIA 12.4*1.6	4			
14	300084794A	CLAMP FOR EXHAUST	1			

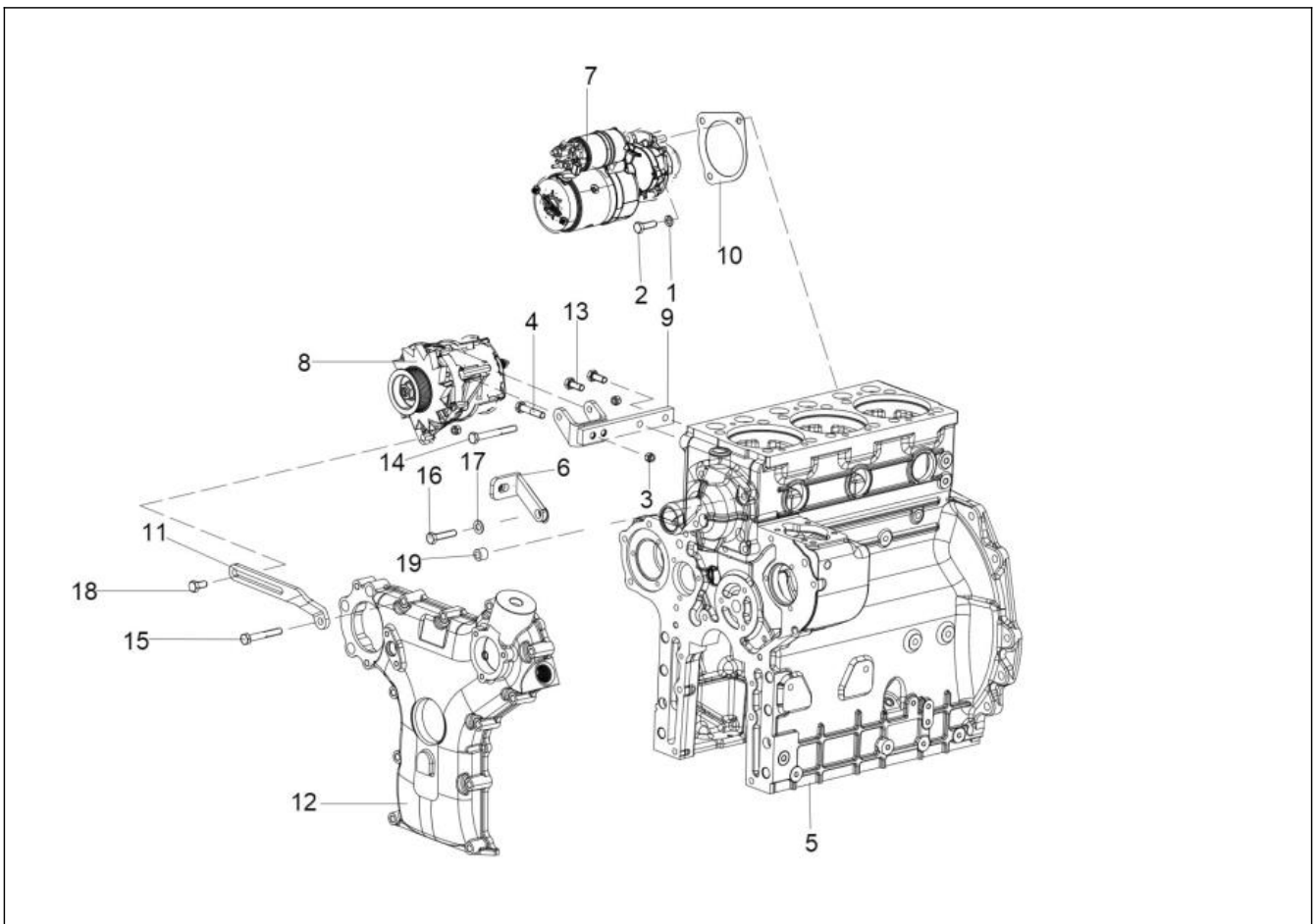
ENGINE AUXILIARY  
EA-4\_EXHAUST DOWNDRAFT WITH LOADER



Sr.No	Part Code	Description	Qty	Int.	Cut Off	Remarks
1	20005625AA	M/CD WASHER 10.5*21*2	4			
2	20005585AA	HEX HEAD SCREW M10X20 8.8 SA4GS	4			
3	300084794A	CLAMP FOR EXHAUST	1			
4	300345114A	EXHAUST ELBOW DOWN PIPE ASSY	1			
5	300185166D	DOWNDRAFT PIPE SUB ASSY.	1			

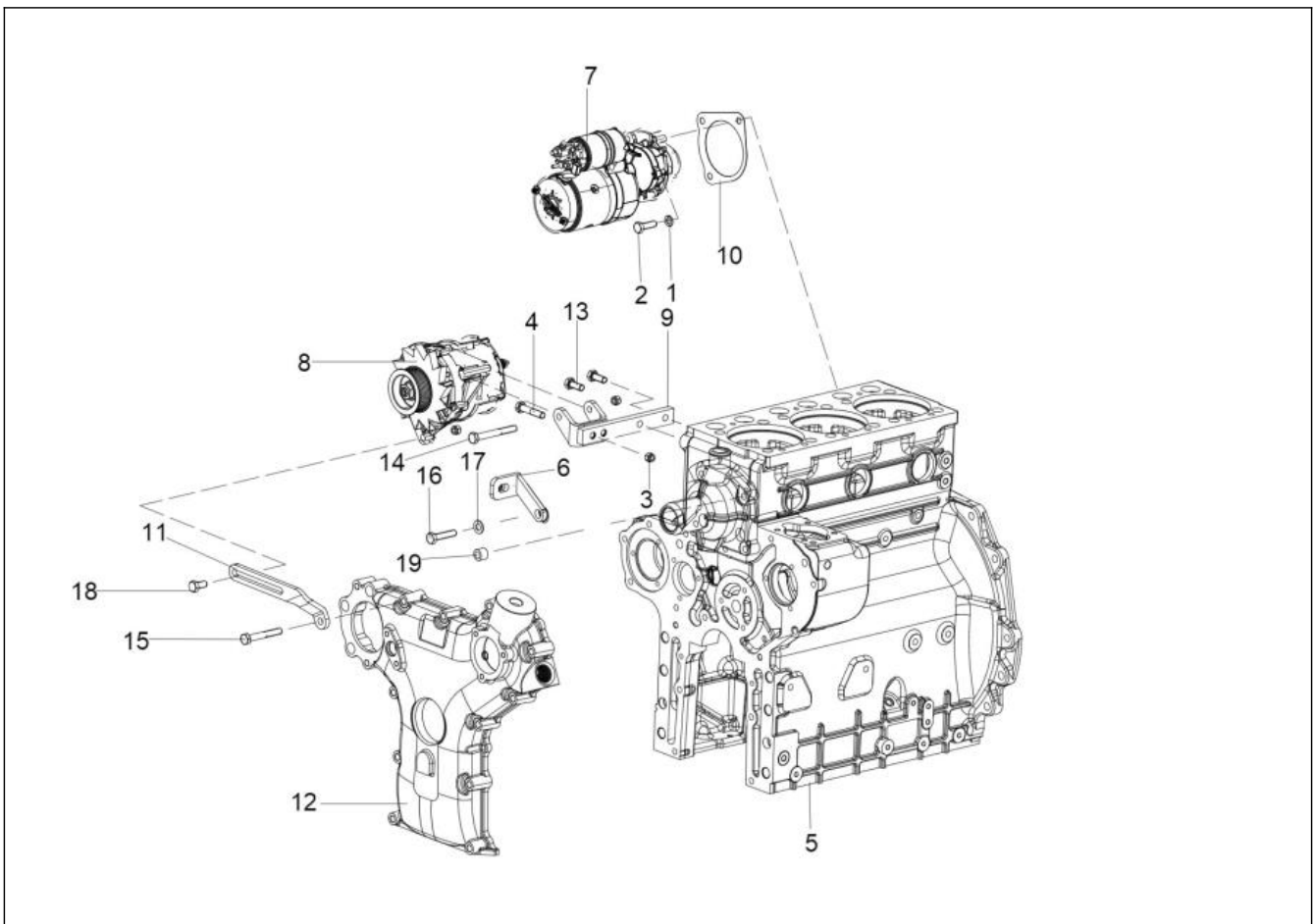


ENGINE AUXILIARY  
EA-5\_STARTER & ALTERNATOR ROPS



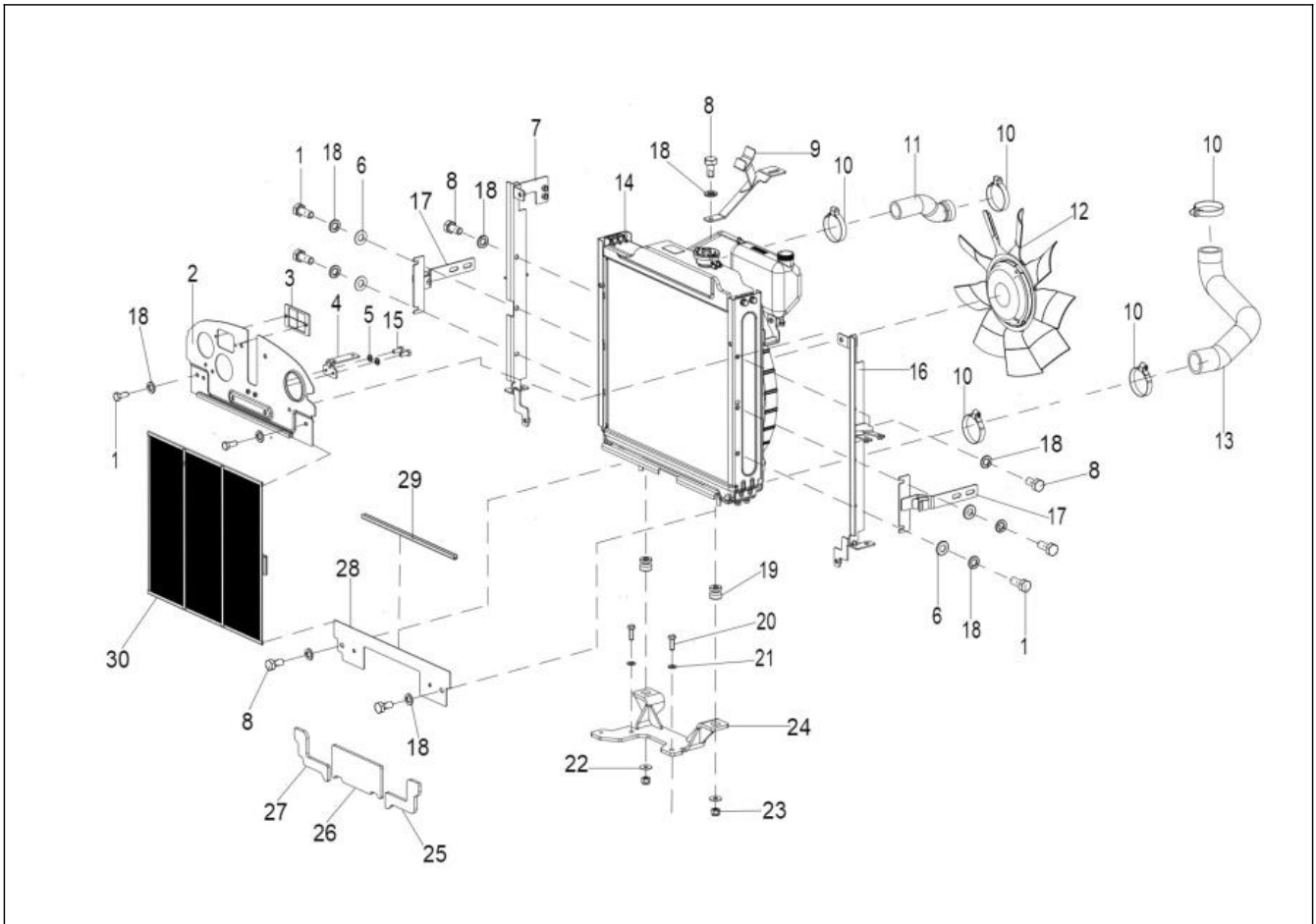
Sr.No	Part Code	Description	Qty	Int.	Cut Off	Remarks
1	04031400010	HELICAL SPRING LOCK WASHER 10 AC SA2JD	2			
2	20005562AA	HEX HEAD SCREW M10X1.5X30 -8.8 SA4GS	2			
3	20004917AB	HEX NYLOC NUT M8*1.25 8	3			
4	20005595AA	HEX HEAD BOLT M10X50_8.8 SA4GS	1			
5	300119962A	CRANK CASE 3CYL-A.COMP STAGE V	1			
6	300178111B	SUPPORT ALTERNATOR BRACKET 3 CYLINDER	1			
7	300139137A	STARTER 3.2 MINDA	1			
8	300177722B	ALTERNATOR 120 MINDA	1			
9	300175896A	ALTERNATOR MOUNTING BRACKET	1			
10	703410029A	GASKET (STARTER MOTOR) NON ASB	1			
11	300175903A	ALTERNATOR STRUT	1			
12	703402272B	FRONT COVER (CI) OIL FILLING/CCV OPTION	1			
13	20005553AA	HEX HEAD SCREW M10X1.5X25 SA4GS	2			
14	20005601AA	HEX HEAD BOLT M10X85_8.8 SA4GS	1			
15	20005546AA	HEX BOLT M10*1.5*70 SA4GS	1			
16	20004578AA	HEX HEAD SCREW M10X1.5X45 8.8 SA2JS	1			
17	20005006AB	PUNCHED WASHER DIA 11	1			
18	20005585AA	HEX HEAD SCREW M10X20 8.8 SA4GS	1			
19	723402121B	SPACER DIA 11X18X14	1			

ENGINE AUXILIARY  
EA-6\_STARTER & ALTERNATOR CABIN



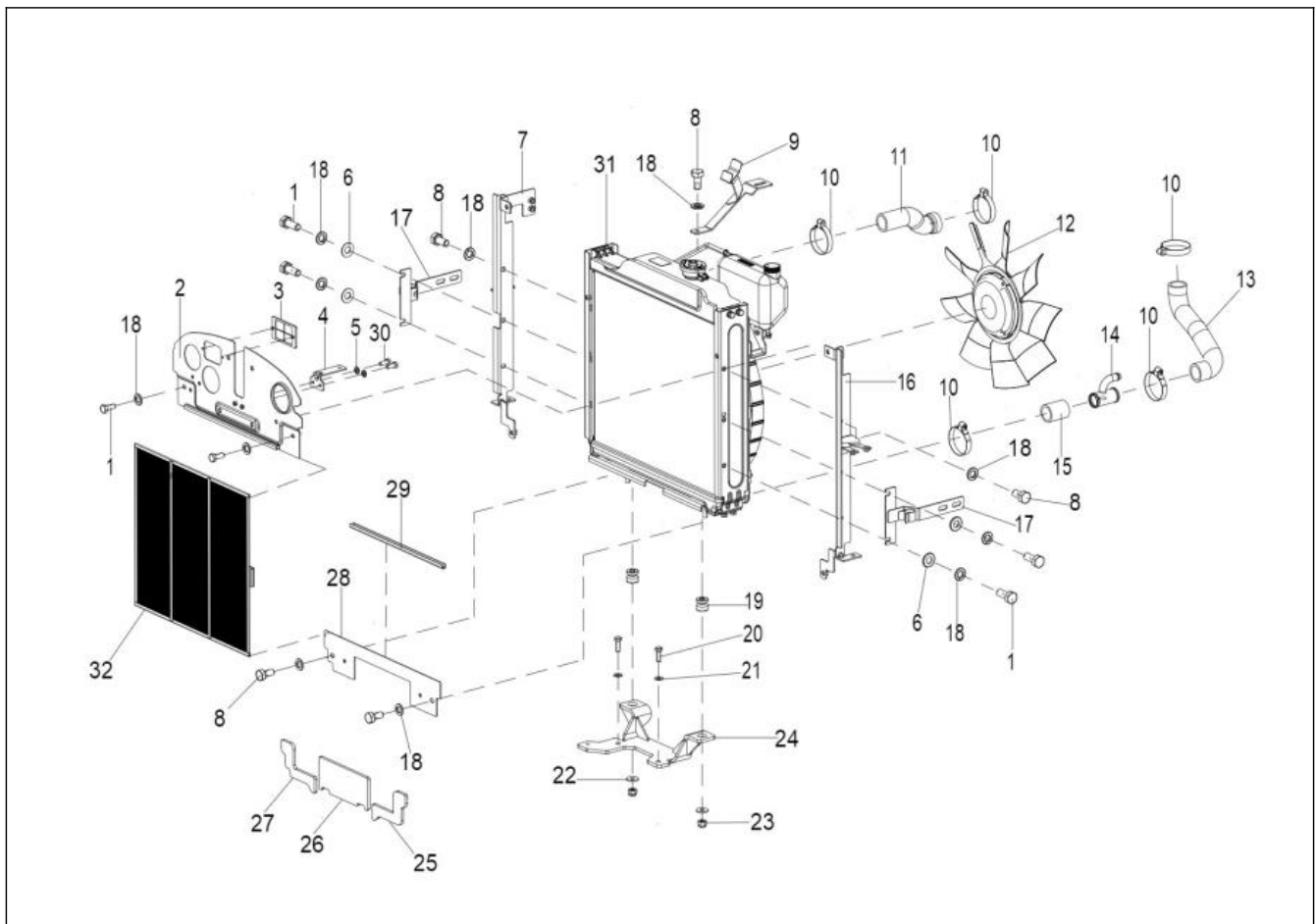
Sr.No	Part Code	Description	Qty	Int.	Cut Off	Remarks
1	04031400010	HELICAL SPRING LOCK WASHER 10 AC SA2JD	2			
2	20005562AA	HEX HEAD SCREW M10X1.5X30 -8.8 SA4GS	2			
3	20004917AB	HEX NYLOC NUT M8*1.25 8	3			
4	20005595AA	HEX HEAD BOLT M10X50_8.8 SA4GS	1			
5	300119962A	CRANK CASE 3CYL-A.COMP STAGE V	1			
6	300178111B	SUPPORT ALTERNATOR BRACKET 3 CYLINDER	1			
7	300139137A	STARTER 3.2 MINDA	1			
8	803410065C	ALTERNATOR ASSY.(90 AMP.) 6PK	1			
9	300175896A	ALTERNATOR MOUNTING BRACKET	1			
10	703410029A	GASKET (STARTER MOTOR) NON ASB	1			
11	300175903A	ALTERNATOR STRUT	1			
12	703402272B	FRONT COVER (CI) OIL FILLING/CCV OPTION	1			
13	20005553AA	HEX HEAD SCREW M10X1.5X25 SA4GS	2			
14	20005601AA	HEX HEAD BOLT M10X85_8.8 SA4GS	1			
15	20005546AA	HEX BOLT M10*1.5*70 SA4GS	1			
16	20004578AA	HEX HEAD SCREW M10X1.5X45 8.8 SA2JS	1			
17	20005006AB	PUNCHED WASHER DIA 11	1			
18	20005585AA	HEX HEAD SCREW M10X20 8.8 SA4GS	1			
19	723402121B	SPACER DIA 11X18X14	1			

ENGINE AUXILIARY  
EA-7\_RADIATOR ASSY ROPS



Sr.No	Part Code	Description	Qty	Int.	Cut Off	Remarks
1	20005565AA	HEX HEAD SCREW M8X1.25X20 -8.8 SA4GS	6			
2	300149993D	TOP SEALING PLATE ASSEMBLY	1			
3	300095499B	GROMATE SEALING	1			
4	300110063C	FUSE BOX HARNESS MOUNTING BRACKET	1			
5	20005516AA	SPRING WASHER B-6 TYPE A IS:3067-1972	2			
6	20005624AA	M/CD WASHER B8	4			
7	300149974C	BRACKET, RADIATOR MOUNTING, RH	1			
8	20005559AA	HEX HEAD SCREW M8X1.25X16 -8.8 SA4GS	5			
9	300297625A	MOUNTING BRACKET RADIATOR ASSEMBLY	1			
10	20004393AA	WORM CLAMP 33-57 / SAE 28 NORMA	5			INTERCHANGEABLE WITH 20004393AB (ROHS)
11	300086104B	HOSE THERMOSTAT TO RADIATOR	1			
12	300220951A	VISCOUS FAN 60 DEGREE	1			
13	300088298B	HOSE RADIATOR TO WATER PUMP	1			
14	300155235D	RADIATOR ASSEMBLY (STAGE-V)	1			
15	04040106016	HEX SCREW M6*16	2			
16	300149975C	BRACKET, RADIATOR MOUNTING, LH	1			
17	300189788A	BONNET SIDE PANE MTG BRACKET ASSY	2			
18	20005517AA	SPRING WASHER B-8 TYPE A IS:3067-1972	11			
19	703413057B	AVM RUBBER PAD FOR RADIATOR	2			
20	20005562AA	HEX HEAD SCREW M10X1.5X30 -8.8 SA4GS	2			
21	20005625AA	M/CD WASHER 10.5*21*2	2			
22	20005523AA	PLAIN WASHER A 10.5 IS:5370 STEEL	2			
23	20005504AA	HEX NUT M8X1.25 -8 SA4GS	2			
24	300149894B	RADIATOR MOUNTING BRACKET ASSEMBLY	1			
25	300150195B	FOAM SEALING LH	1			
26	300150194A	FOAM SEALING	1			
27	300150192A	FOAM SEALING RH	1			
28	300150004B	SEALING PLATE ASSY	1			
29	300061849A	RADIATOR BEADING	1			
30	300209643A	THRESH GUARD	1			

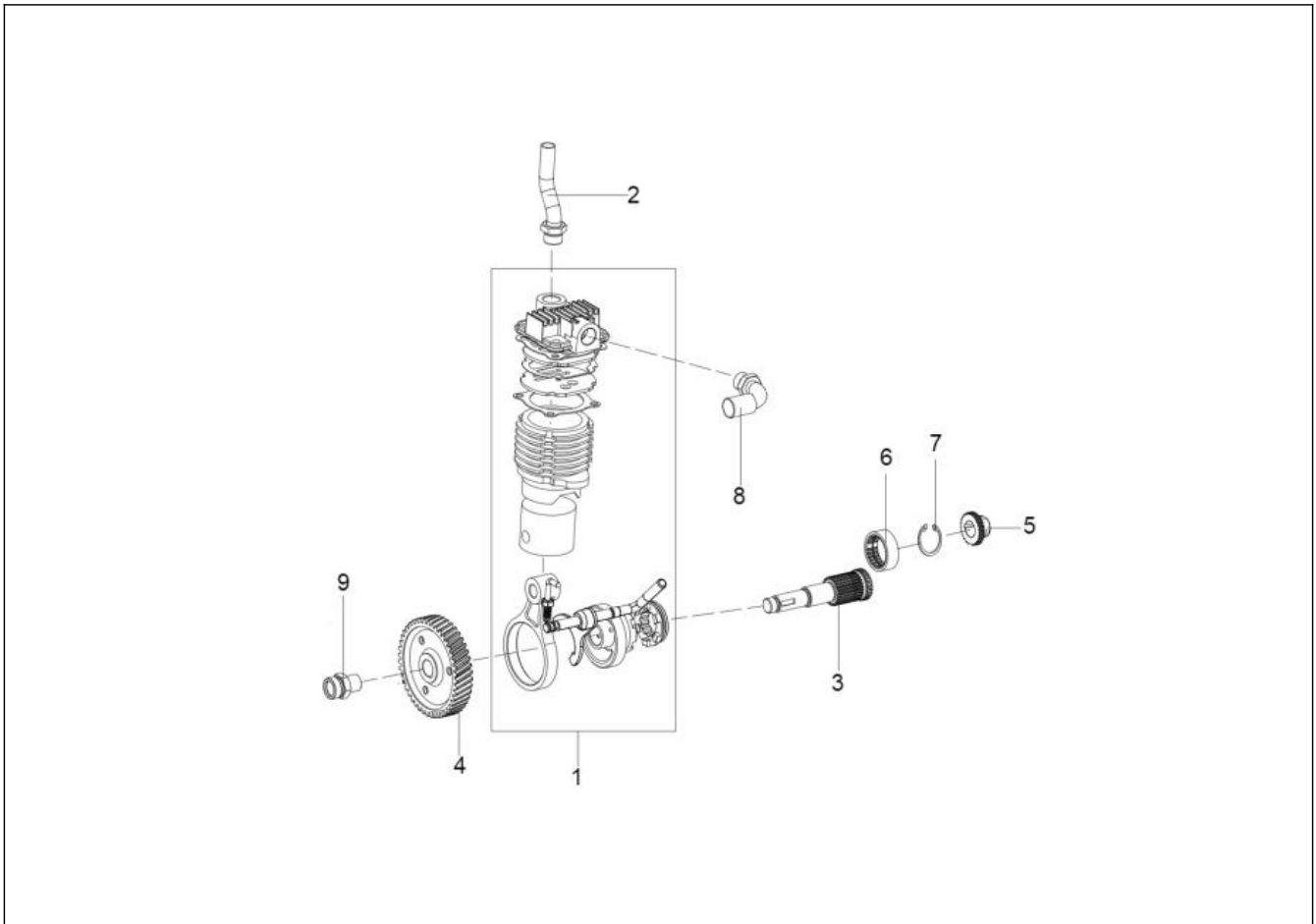
ENGINE AUXILIARY  
EA-8\_RADIATOR ASSY CABIN



Sr.No	Part Code	Description	Qty	Int.	Cut Off	Remarks
1	20005565AA	HEX HEAD SCREW M8X1.25X20 -8.8 SA4GS	6			
2	300149993D	TOP SEALING PLATE ASSEMBLY	1			
3	300095499B	GROMATE SEALING	1			
4	300110063C	FUSE BOX HARNESS MOUNTING BRACKET	1			
5	20005516AA	SPRING WASHER B-6 TYPE A IS:3067-1972	2			
6	20005624AA	M/CD WASHER B8	4			
7	300149974C	BRACKET, RADIATOR MOUNTING, RH	1			
8	20005559AA	HEX HEAD SCREW M8X1.25X16 -8.8 SA4GS	5			
9	300297625A	MOUNTING BRACKET RADIATOR ASSEMBLY	1			
10	20004393AA	WORM CLAMP 33-57 / SAE 28 NORMA	5			INTERCHANGEABLE WITH 20004393AB (ROHS)
11	300086104B	HOSE THERMOSTAT TO RADIATOR	1			
12	300220951A	VISCOUS FAN 60 DEGREE	1			
13	300185024B	HOSE CONNECTOR TO ENGINE	1			
14	300185005A	CONNECTOR FOR COOLANT LINE	1			
15	300184915A	HOSE RADIATOR TO CONNECTOR	1			
16	300149975C	BRACKET, RADIATOR MOUNTING, LH	1			
17	300189788A	BONNET SIDE PANE MTG BRACKET ASSY	2			
18	20005517AA	SPRING WASHER B-8 TYPE A IS:3067-1972	11			
19	703413057B	AVM RUBBER PAD FOR RADIATOR	2			
20	20005562AA	HEX HEAD SCREW M10X1.5X30 -8.8 SA4GS	2			
21	20005625AA	M/CD WASHER 10.5*21*2	2			
22	20005523AA	PLAIN WASHER A 10.5 IS:5370 STEEL	2			
23	20005504AA	HEX NUT M8X1.25 -8 SA4GS	2			
24	300149894B	RADIATOR MOUNTING BRACKET ASSEMBLY	1			
25	300150195B	FOAM SEALING LH	1			
26	300150194A	FOAM SEALING	1			
27	300150192A	FOAM SEALING RH	1			
28	300150004B	SEALING PLATE ASSY	1			
29	300061849A	RADIATOR BEADING	1			
30	04040106016	HEX SCREW M6*16	2			
31	300155235D	RADIATOR ASSEMBLY (STAGE-V)	1			
32	300209643A	THRESH GUARD	1			

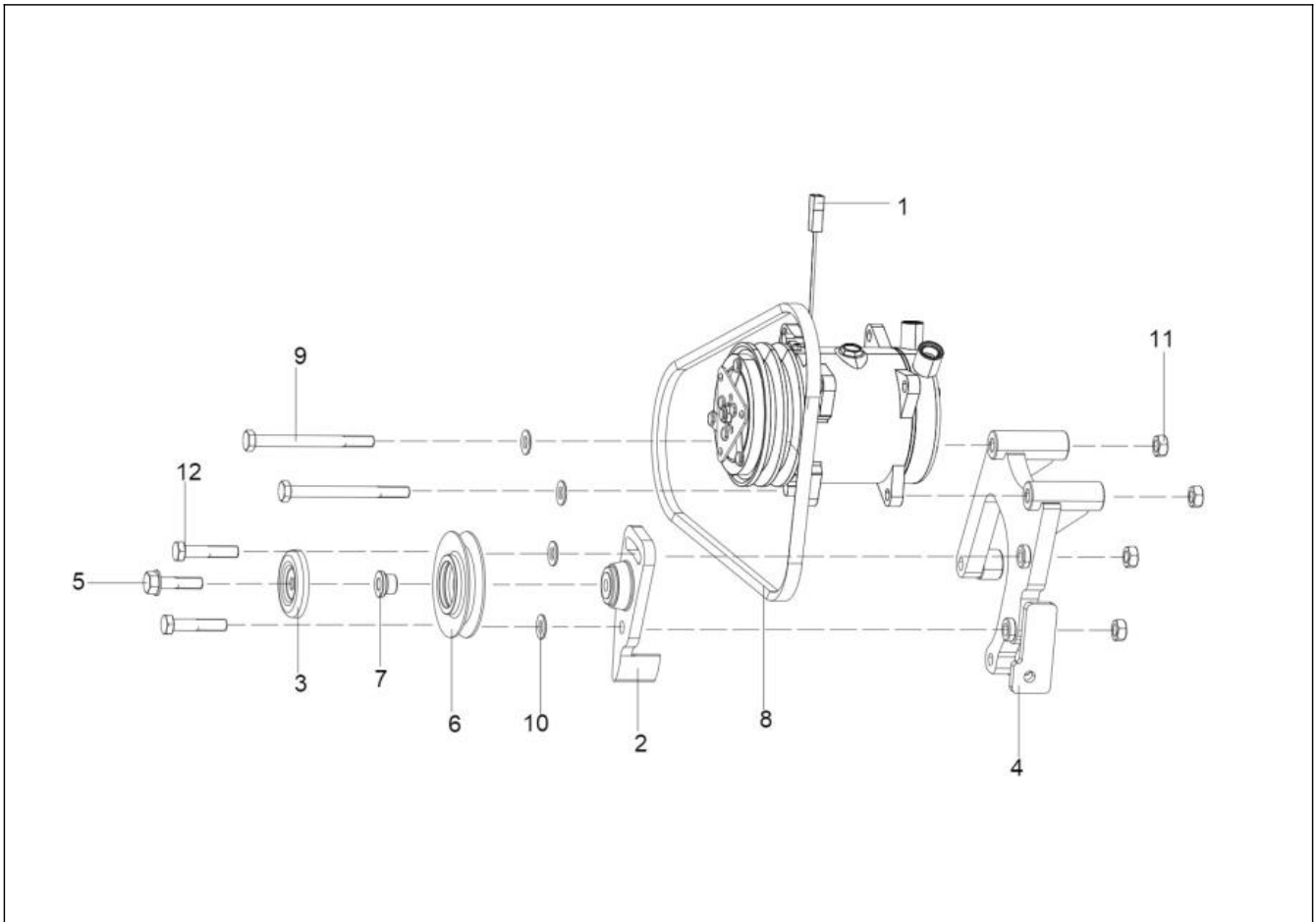


ENGINE AUXILIARY  
EA-9\_AIR COMPRESSOR ASSY



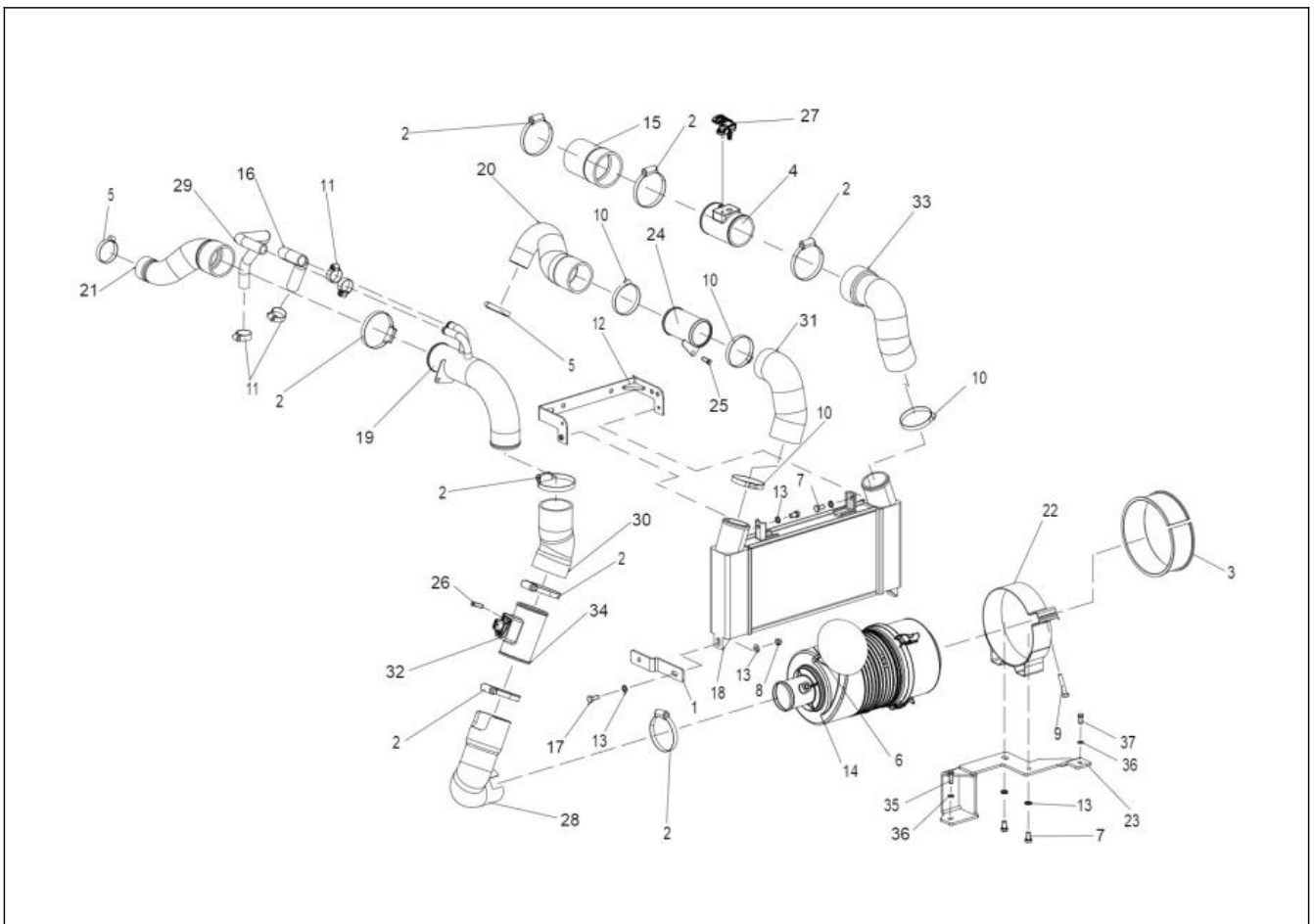
Sr.No	Part Code	Description	Qty	Int.	Cut Off	Remarks
1	300171831A	AIR COMPRESSOR ASSY STAGE V	1			
2	703409103A	AIR CONNECTION_M22X1.5 (58HP_CRDI)	1			
3	703404087B	I.P.D SHAFT (FOR COMPRESSOR)	1			
4	703404152B	GEAR (&#216;20) NIT-FOR I.P.D. AIR COMPRESSOR	1			
5	903408047D	COUPLING GEAR (COMMON)	1			
6	703408030B	COUPLING BUSH	1			
7	04020100037	INTERNAL CIRCLIP B-37	1			
8	903005075B	PROTECTION CAP_TEMP. SENSOR	1			
9	703004107C	NUT (FOR F.I.P.) 3CYL.	1			

ENGINE AUXILIARY  
EA-10\_COMPRESSOR



Sr.No	Part Code	Description	Qty	Int.	Cut Off	Remarks
1	300171831A	AIR COMPRESSOR ASSY STAGE V	1			
2	10084573AE	BRACKET IDLER PULLEY	1			
3	10084577AB	CAP FOR PULLEY	1			
4	300041490C	COMPRESSOR MTG BKT.	1			
5	10084579AB	10083397AA_PIN FOR COMPRESSOR PULLEY	1			
6	10084578AC	INTERMEDIATE PULLEY ASSY	1			CHILD PART OF SNO.1
7	10084576AB	BUSH FOR PULLEY	1			CHILD PART OF SNO.1
8	300104734B	COMPRESSOR BELT	1			
9	04040710110	H.H.BOLT M10X110-Z	2			
10	20005625AA	M/CD WASHER 10.5*21*2	4			
11	20003357AF	HEX NUT M10 -8 SA4GS	4			
12	20005595AA	HEX HEAD BOLT M10X50_8.8 SA4GS	2			

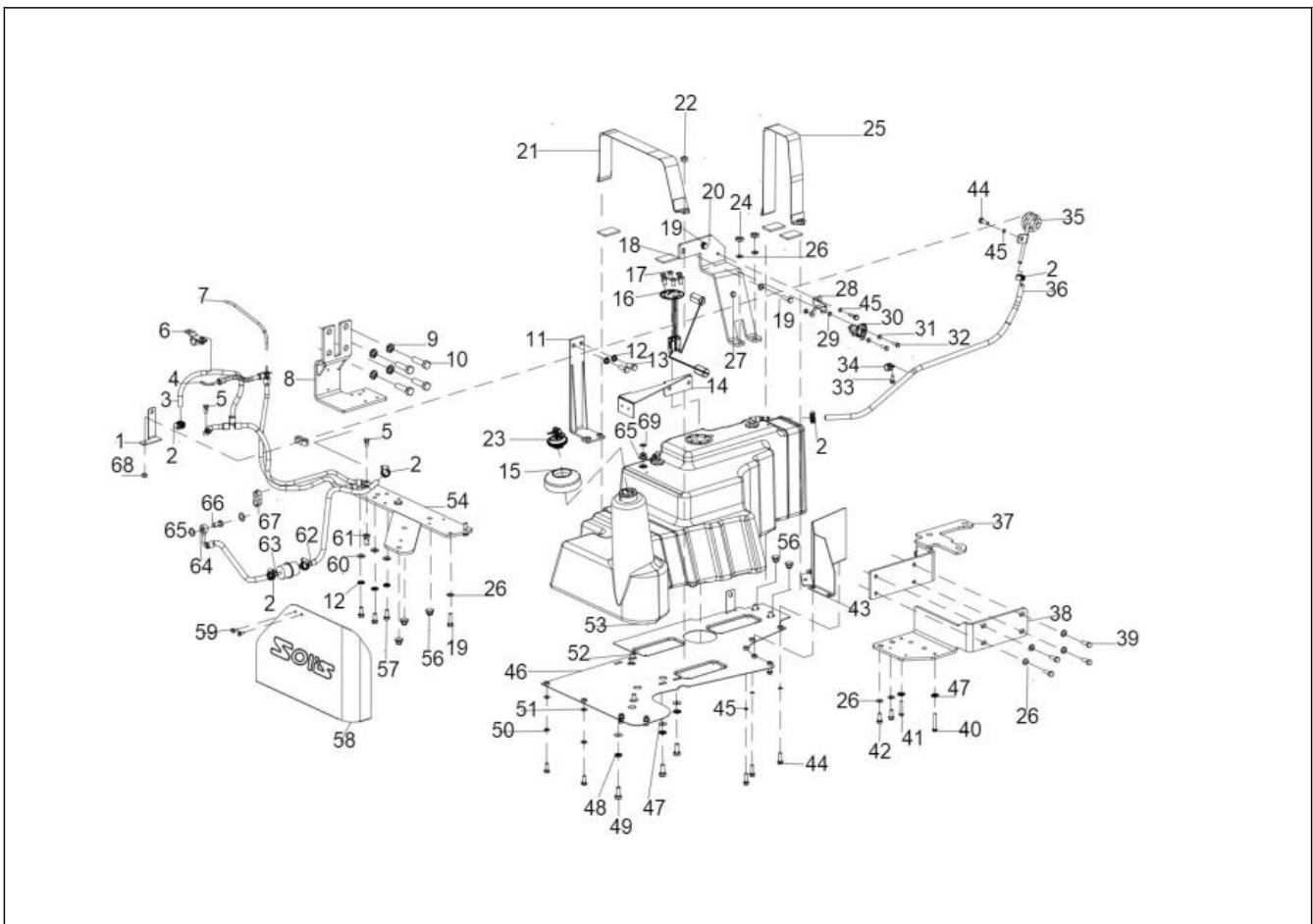
ENGINE AUXILIARY  
EA-11\_AIR CLEANER ASSY



Sr.No	Part Code	Description	Qty	Int.	Cut Off	Remarks
1	300154612A	INTERCOOLER MTG BRACKET	1			
2	20003758AB	HOSE WORM CLAMP (DIA 84) I.S.4762	8			
3	300096158C	AIR CLEANER RUBBER FLAP	1			
4	300165273B	TUBE T21 SENSOR	1			
5	20004049AB	HOSE WORM CLAMP DIA 52	2			
6	10070546AC	CAP (SMALL)	1			
7	20005559AA	HEX HEAD SCREW M8X1.25X16 -8.8 SA4GS	4			
8	10054340AB	HEX NUT M8X1.25 -8 SA2JS	1			
9	300261799A	SOCKET HEAD BOLT M8X1.25X45 SA4GS	1			
10	20004004AB	HOSE WORM CLAMP DIA 68 IS-4762	4			
11	20005615AA	WORM D. HOSE CLAMP-25A	4			
12	300154475C	BRACKET ASSEMBLY INTERCOOLER MTG	1			
13	20005517AA	SPRING WASHER B-8 TYPE A IS:3067-1972	6			
14	803012006C	AIR CLEANER ASSY.DRY-TYPE (6&quot;)	1			
15	300178851A	HOSE FORM INTERCOOLER TO INTAKE	1			
16	300154873B	HOSE FROM CCV TO TURBO INLET	1			
17	20005565AA	HEX HEAD SCREW M8X1.25X20 -8.8 SA4GS	1			
18	300078625D	INTER COOLER ASSY	1			
19	300150775A	PIPE ASSY. FROM AIR CLEANER TO TURBO	1			
20	300179656A	HOSE FROM TURBO TO INTERCOOLER	1			
21	300170223A	HOSE FROM AIR CLEANER TO TURBO INLET	1			
22	300057411B	AIR CLEANER MTG CLAMP	1			
23	300150122B	AIR CLEANER MTG BKT ASSY	1			
24	300083604B	PIPE ASSY FROM TURBO TO INTERCOOLER	1			
25	20005496AA	HEX HEAD SCREW M6X1X14 8.8 SA4GS	1			
26	20003299AB	SLOTED&#160;COUNTERSUNK&#160;HD&#160;SCRW&#160;M4X15&#160;4.8&#160;SA2	2			
27	800408171A	BOOST PRESSURE SENSOR (0 281 006 217)	1			
28	300155974A	HOSE AIR CLEANER	1			
29	300154869B	HOSE AIR CLANER TO COMPRESSOR	1			
30	300133130A	HOSE PFM SENSOR	1			
31	300154477A	HOSE TURBO TO INTERCOOLER	1			
32	300113450A	MASS AIR FLOW SENSOR	1			
33	300150637A	HOSE FORM INTERCOOLER TO INTAKE	1			

34	300113451B	TUBE ASSEMBLY MAF SENSOR	1			
35	20005570AA	HEX SCREW M6X25	1			
36	20004941AB	M/C WASHER DIA 6.4*DIA 12.4*1.6	2			
37	04040106016	HEX SCREW M6*16	1			

ENGINE AUXILIARY  
EA-12\_FUEL TANK ASSY

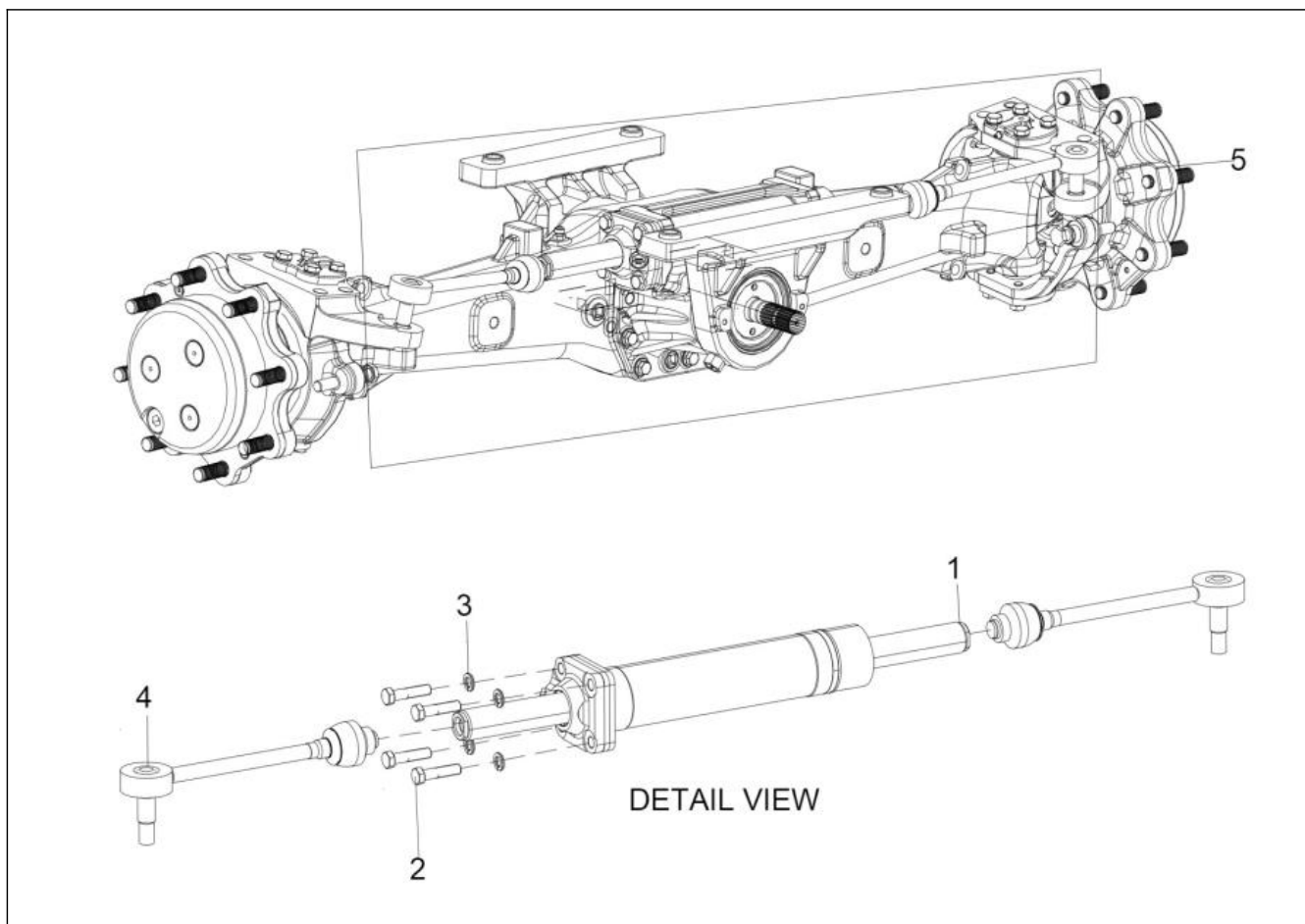




Sr.No	Part Code	Description	Qty	Int.	Cut Off	Remarks
1	300057830A	FUEL LINE MTG BKT	1			
2	20004819AB	HOSE WORM CLAMP 5/8	6			
3	300147502A	FUEL LINE FROM FIP TO FUEL TANK	1			
4	300147535B	FUEL LINE ASSY COLD START TO FUEL TANK	1			
5	20005051AB	BENJO BOLT M10*1*19	2			
6	10038728AA	CLAMP ASSY	1			
7	300181466A	PIPE T- COUPLER TO ENGINE CONNECTOR	1			
8	300145187A	FRONT MTG OF FUEL TANK STAGE V	1			
9	20004994AB	SPRING WASHER B-16 TYPE-A IS:3063-1972	4			
10	20004815AA	HEX BOLT M16X2X50 10.9 SA3NS	4			
11	300179272B	REAR MOUNTING BRACKET ASSY	1			
12	20004993AB	SPRING WASHER B-12TYPE-A IS:3063-1972	6			
13	20003243AB	HEX SCREW M12*1.75*30	2			
14	300277102B	SAFETY PLATE MTG BRACKET ASSEMBLY	1			
15	300300944A	FUEL TANK COVER	1			
16	10084941AB	TANK UNIT	1			
17	10085711AA	CROSS RECESSED CHEESE HEAD SCREW M5X10	6			
18	10004588AA	FELT PAD	4			
19	20003238AB	HEX SCREW M10*35	4			
20	300148241A	FUEL TANK OUTER MTG BKT	1			
21	300179073B	FRONT MOUNTING STRAP FOR FUEL TANK	1			
22	20005504AA	HEX NUT M8X1.25 -8 SA4GS	1			
23	300306778A	FUEL TANK CAP WITH KEY	1			
24	20003357AF	HEX NUT M10 -8 SA4GS	2			
25	300146705B	REAR STRAP ASSY FUEL TANK	1			
26	20005625AA	M/CD WASHER 10.5*21*2	12			
27	10004600AB	RUBBER BUTTON (BIG) FOR FUEL TNK MTG PLT	2			
28	300181032B	BLOCK HEATER SOCKET BRACKET	1			
29	20003353AA	NUT H M5 8 SA2JS	2			
30	300040809A	3 PIN SOCKET ASSY	1			
31	20001668AC	FLAT WASHER N5-10 SA4JS	2			
32	04040105016	HEX HEAD SCREW M5X16	2			
33	10094099AA	PIPE CLAMP FOR DIA 16	1			
34	20005570AA	HEX SCREW M6X25	1			
35	300172224A	BREATHER PIPE ASSY	1			
36	10068769AA	_10068769AA BREATHER HOSE	1			
37	300147168A	REAR MTG ASSY FUEL TANK	1			
38	300146989B	REAR MTG ASSY FOR FUEL TANK	1			

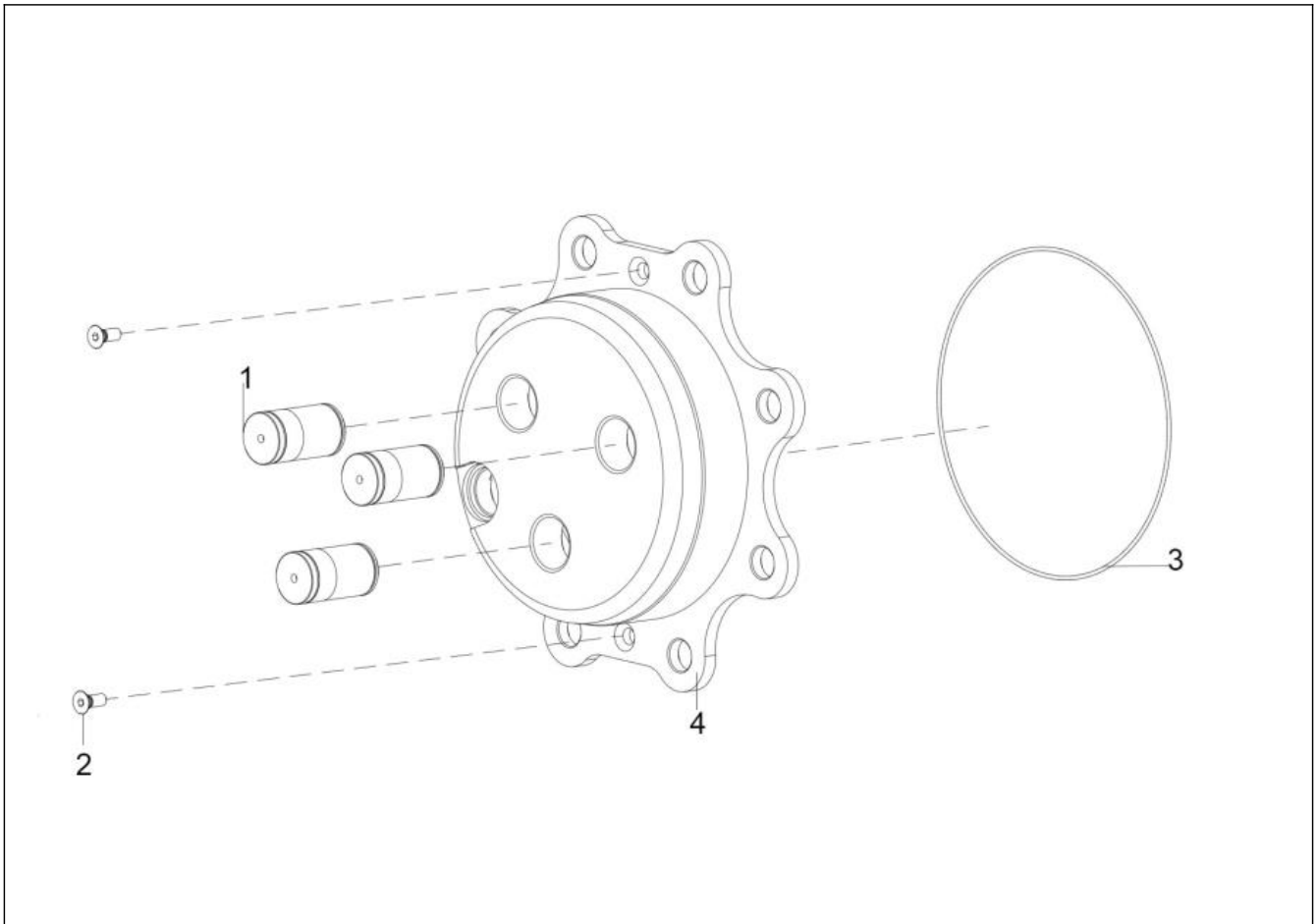
39	20005562AA	HEX HEAD SCREW M10X1.5X30 -8.8 SA4GS	4			
40	20004136AA	HEX HEAD BOLT M8X1.25X55	1			
41	20005548AA	HEX BOLT M8X1.25-45 -8.8 SA4GS	2			
42	20005553AA	HEX HEAD SCREW M10X1.5X25 SA4GS	2			
43	300184691B	BRACKET SAFETY PLATE	1			
44	20005569AA	HEX SCREW M6X1X20	7			
45	20004984AA	PUNCH WASHER A 6.6 IS:2016 STEEL	7			
46	300185466C	SAFETY PLATE ASSEMBLY	1			
47	20003670AD	SPRING WASHER B-8 TYPE-A IS:3063-1972	11			
48	20004935AB	PLAIN WASHER DIA 8.4 *DIA 17*1.6	7			
49	20003281AA	HEX SCREW M6X16	4			
50	20005516AA	SPRING WASHER B-6 TYPE A IS:3067-1972	4			
51	20004941AB	M/C WASHER DIA 6.4*DIA 12.4*1.6	4			
52	20005565AA	HEX HEAD SCREW M8X1.25X20 -8.8 SA4GS	8			
53	300188740B	FUEL TANK ASSEMBLY 3 CYD	1			
54	10085471AB	BOTTOM PLATE ASSY	1			
56	300168019B	RUBBER BUTTON	6			
57	20005558AA	HEX HEAD SCREW M10X1.25X25 -8.8 SA4GS	4			
58	300277051C	SAFETY PLATE FRONT	1			
59	20005542AA	HEX FLANGE SCREW M6*1*16 -8.8 SA4GS	2			
60	20004940AB	M/C WASHER DIA 13*DIA 24*2.5	4			
61	04080700014	SPL BENJO BOLT M14*1.5*M10*1*26	1			
62	300181361A	HOSE FROM FUEL TANK TO STRAINER	1			
63	10051627AA	FUEL FILTER 30N6200400 (STRAINER)	1			
64	300147507A	STRAINER TO FUEL FILTER	1			
65	20003640AB	SEALING WASHER 14X18 IS:2175 CU	4			
66	20005003AB	BENJO BOLT M14*1.5*26 SA4GS	1			
67	20002779AB	STAUFF CLAMP - D16/13.5	2			
68	20005491AA	HEX NUT M6 -8 SA4GS	1			
69	20003638AB	SEALING WASHER 10X13.5	4			

FRONT AXLE  
FA-1\_STEERING CYLINDER FRONT AXLE



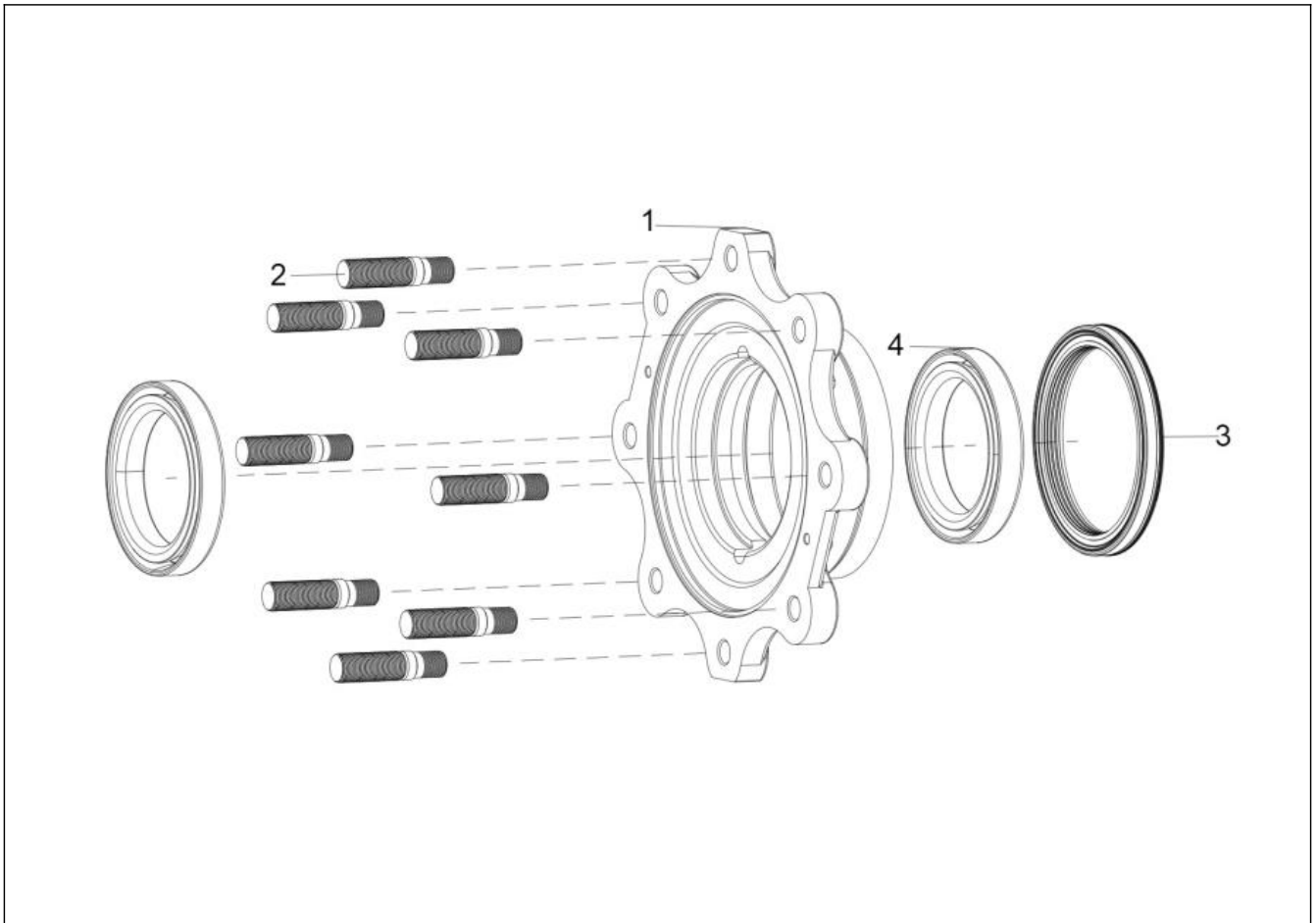
Sr.No	Part Code	Description	Qty	Int.	Cut Off	Remarks
1	10028583AA	HYDRAULIC CYLINDER ASSEMBLY	1			
2	20004376AC	HEX BOLT M12*1.75*50 (GRADE 10.9)SA4NS	4			
3	20004993AB	SPRING WASHER B-12TYPE-A IS:3063-1972	4			
4	10028596AC	TIE ROD ASSY	2			
5	300357411A	FRONT AXLE 4WD MULTISPEED EPA	1			

FRONT AXLE  
FA-2\_PLANET CARRIER LH/RH



Sr.No	Part Code	Description	Qty	Int.	Cut Off	Remarks
1	10027637AD	PIN FOR PLANET CARRIER (FRONT AXLE 4WD)	6			
2	20004015AA	SOCKET FLAT HEAD SCREW DIN 7991-M8X20-10.9	4			
3	10028492AA	O-RING (&#216;216X&#216;2.5)	2			
4	10027599AG	PLANET CARRIER	2			

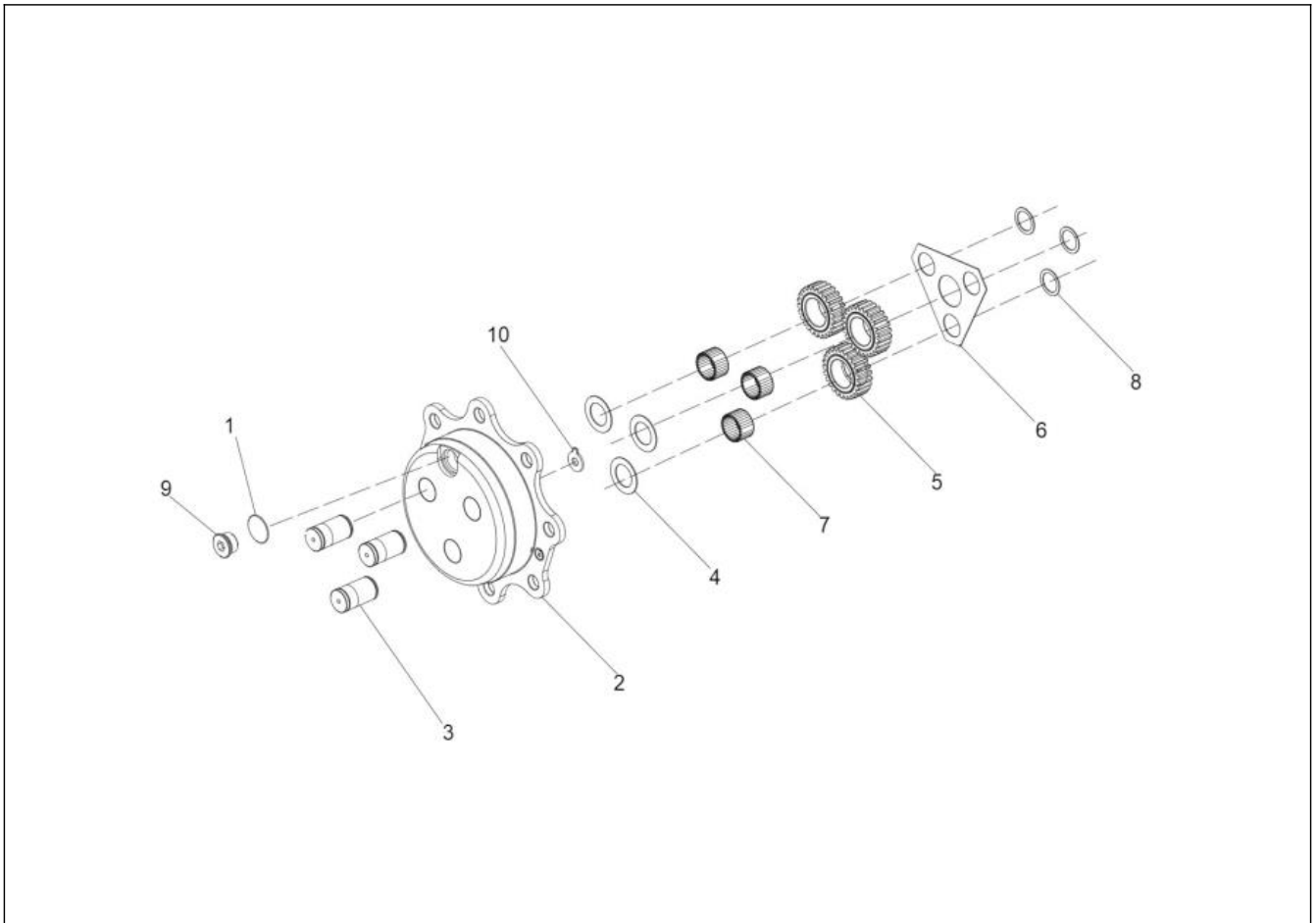
FRONT AXLE  
FA-3\_WHEEL HUB LH/RH SUB ASSY



Sr.No	Part Code	Description	Qty	Int.	Cut Off	Remarks
1	10027627AF	WHEEL HUB KIT (FRON AXLE 4WD)	2			
2	200005090A	STUD FRONT AXLE 4WD SA4GS	16			
3	20004034AA	SEAL(130X160X14)	2			
4	20004023AA	TAPER ROLLER BEARING JL819349/JL819310	4			

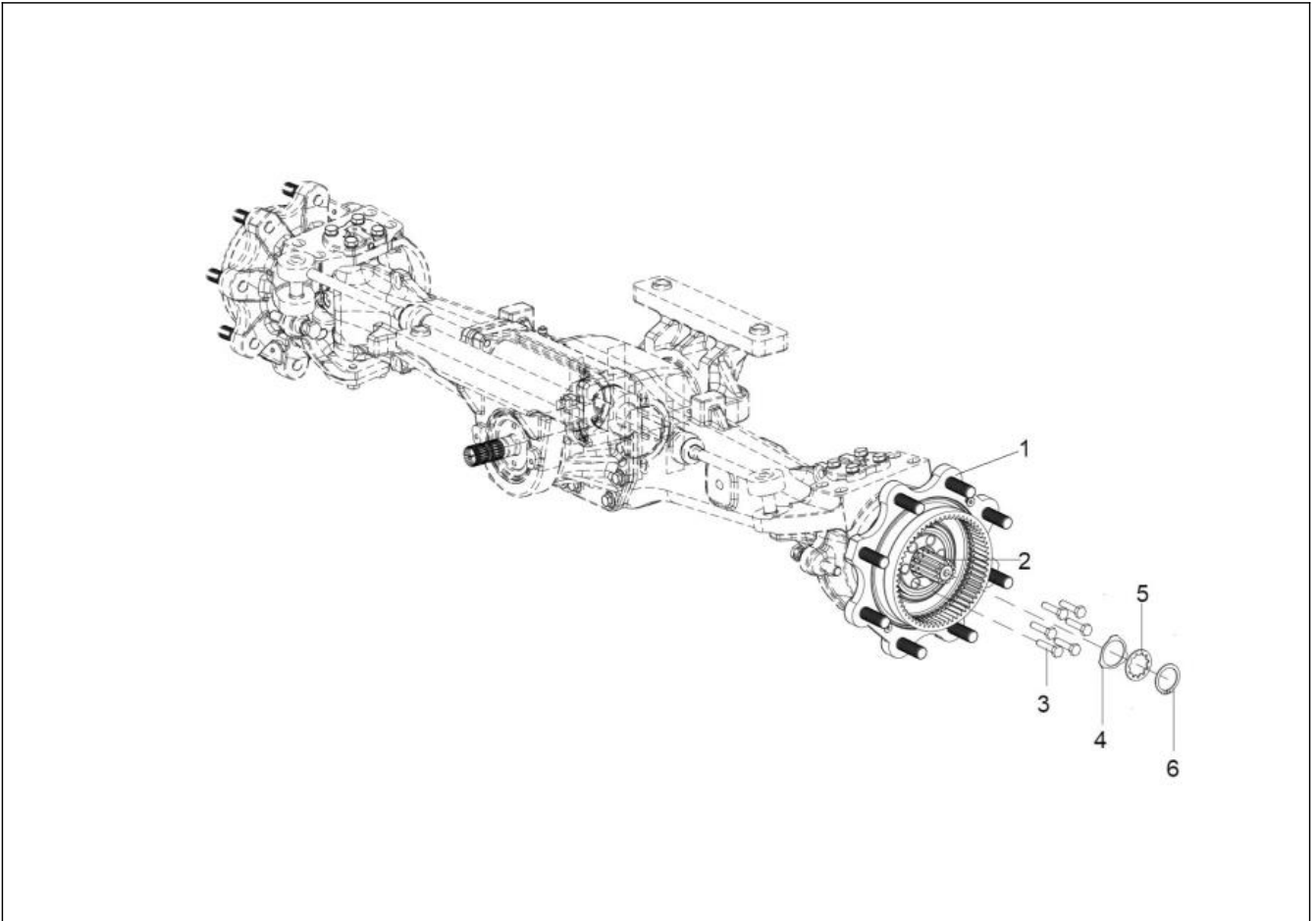


FRONT AXLE  
FA-4\_REDUCTION GEAR (PLANTERY GEAR)



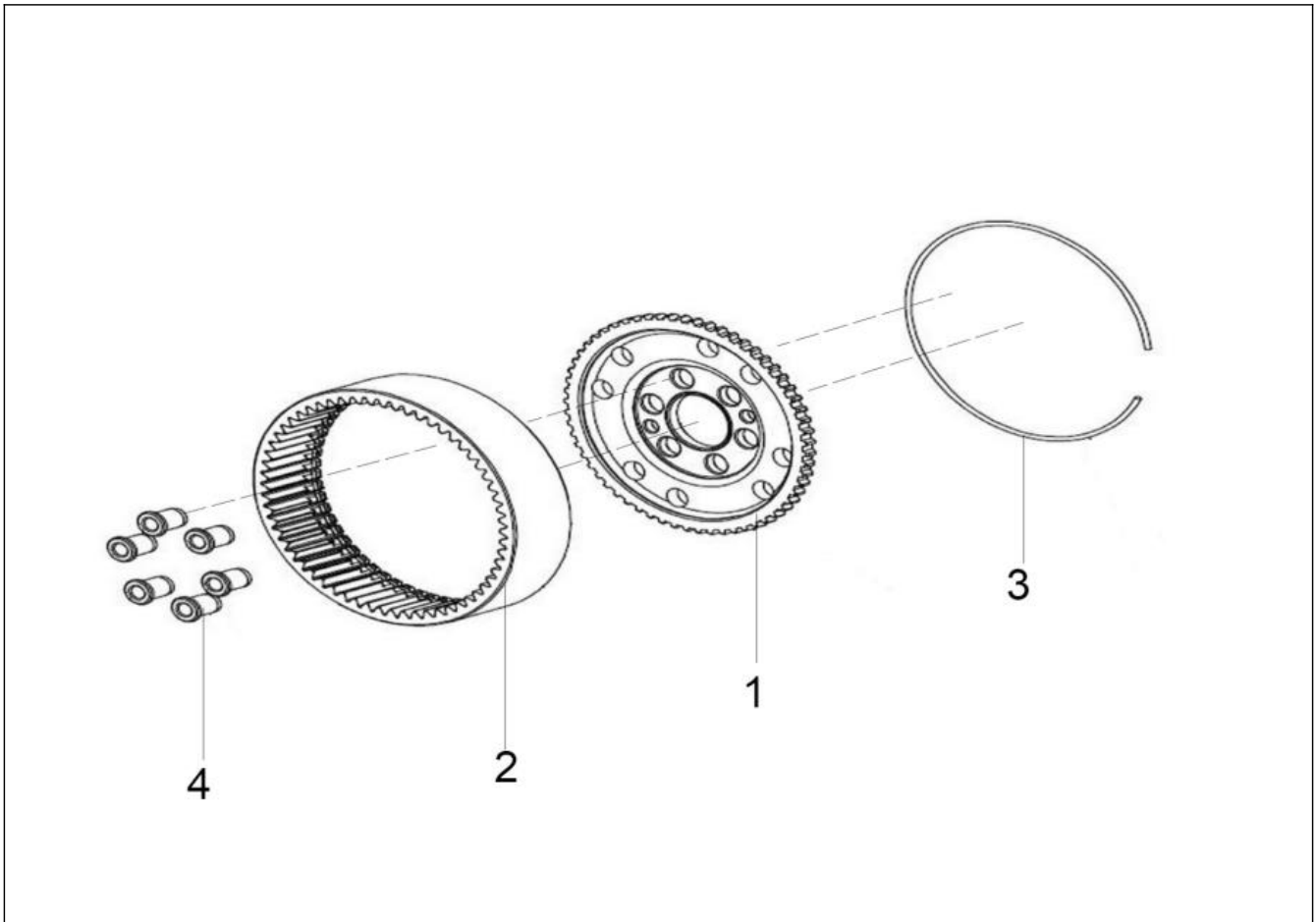
Sr.No	Part Code	Description	Qty	Int.	Cut Off	Remarks
1	10028546AA	O-RING &#216;27X &#216;2.5	2			
2	10027599AG	PLANET CARRIER	2			CHILD PART OF S.NO.1
3	10027637AD	PIN FOR PLANET CARRIER (FRONT AXLE 4WD)	6			CHILD PART OF S.NO.1
4	10027498AB	WASHER FOR PLANET GEAR	6			
5	10027538AC	PLANET GEAR Z-24	6			
6	10027495AD	TRIANGULAR WASHER FOR PLANET GEAR	2			
7	20004035AA	NEEDLE BEARING (25.6X4)	180			
8	20003818AA	CIRCLIP 34 X 1.5N (IS:3075, PART -1 )	6			
9	300047392A	PLUG M30X2 ASSY	2			
10	10028305AB	SPACER	2			

FRONT AXLE  
FA-5\_WHEEL CARRIER- AXLE ASSY



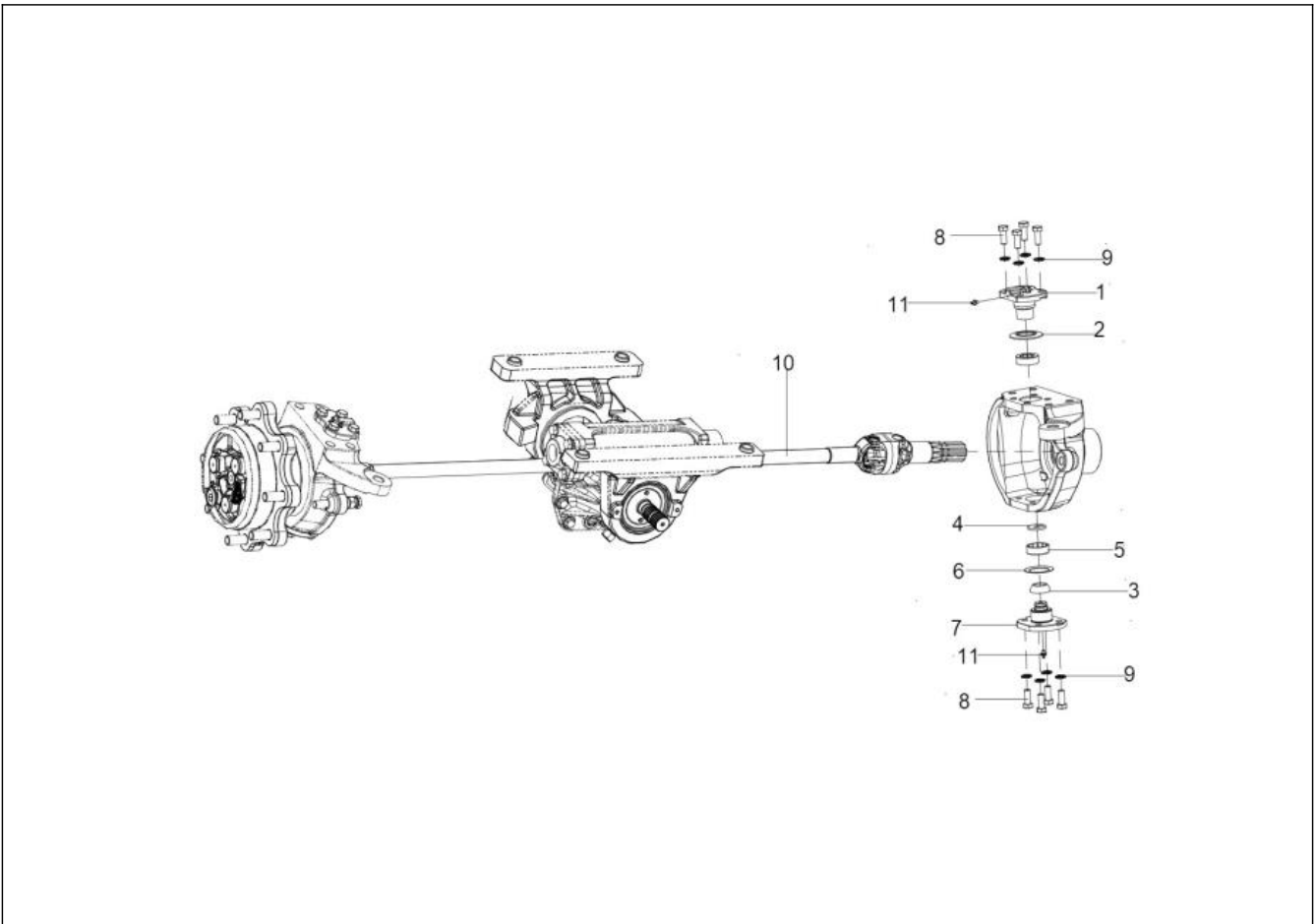
Sr.No	Part Code	Description	Qty	Int.	Cut Off	Remarks
1	10027627AF	WHEEL HUB KIT (FRON AXLE 4WD)	2			
2	300341121A	UNIVERSAL JOINT ASSY. (FRONT AXLE 4-WD)	2			
3	10012308AA	SPECIAL BOLT (M10X45)	12			
4	10027494AB	THURST WASHER	2			
5	10027504AC	WASHER	2			
6	20004263AA	EXTERNAL CIRCLIP A IS 3075-1965 D-42 PART 1	2			

FRONT AXLE  
FA-6\_WHEEL CARRIER LH/RH



Sr.No	Part Code	Description	Qty	Int.	Cut Off	Remarks
1	10027548AE	WHEEL CARRIER (FRONT AXLE 4WD)	2			
2	10027536AC	INTERNAL GEAR FOR PLANET CARRIER	2			
3	10027496AA	RING FOR INTERNAL GEAR	2			
4	10027555AE	BUSH (FRONT AXLE 4WD)	12			

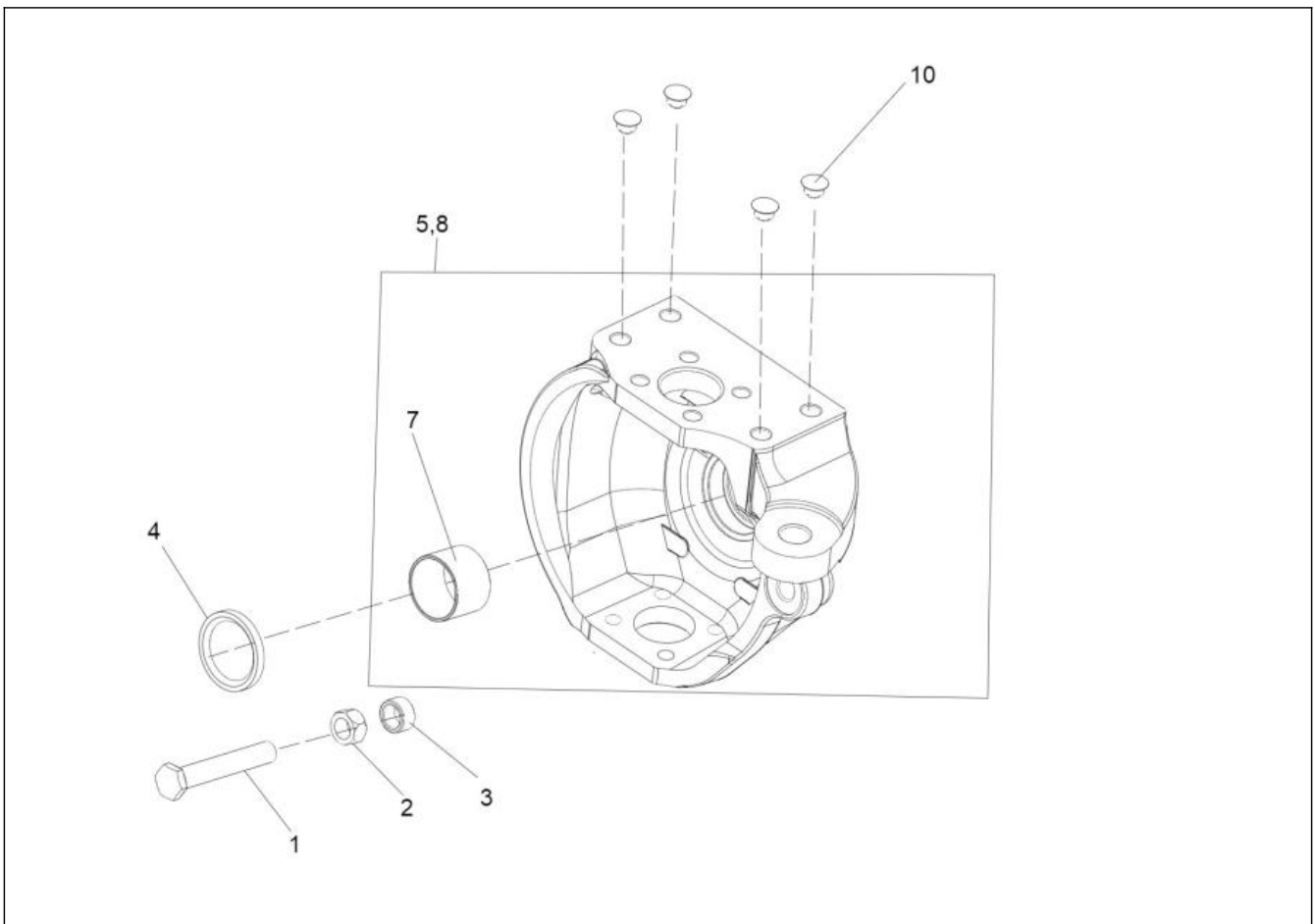
FRONT AXLE  
FA-7\_UNIVERSAL JOINT ASSY



Sr.No	Part Code	Description	Qty	Int.	Cut Off	Remarks
1	10027507AD	KING PIN	2			
2	10027499AD	DISC SPRING	2			
3	10028493AB	SPHERICAL CAP	2			
4	10028516AA	SPECIAL WASHER FOR FRONT AXLE	2			
5	10028334AC	SPHERICAL BUSHING	2			
6	10012008AB	DISC SPRING (61X43)	2			
7	10028494AE	KING PIN ASSY.	2			
8	20004016AA	BLACK HEXAGON BOLT IS 1363-M12X30-10.9	16			
9	20004993AB	SPRING WASHER B-12TYPE-A IS:3063-1972	16			
10	300341121A	UNIVERSAL JOINT ASSY. (FRONT AXLE 4-WD)	2			
11	20004029AA	GREASE NIPPLE M6X1	4			

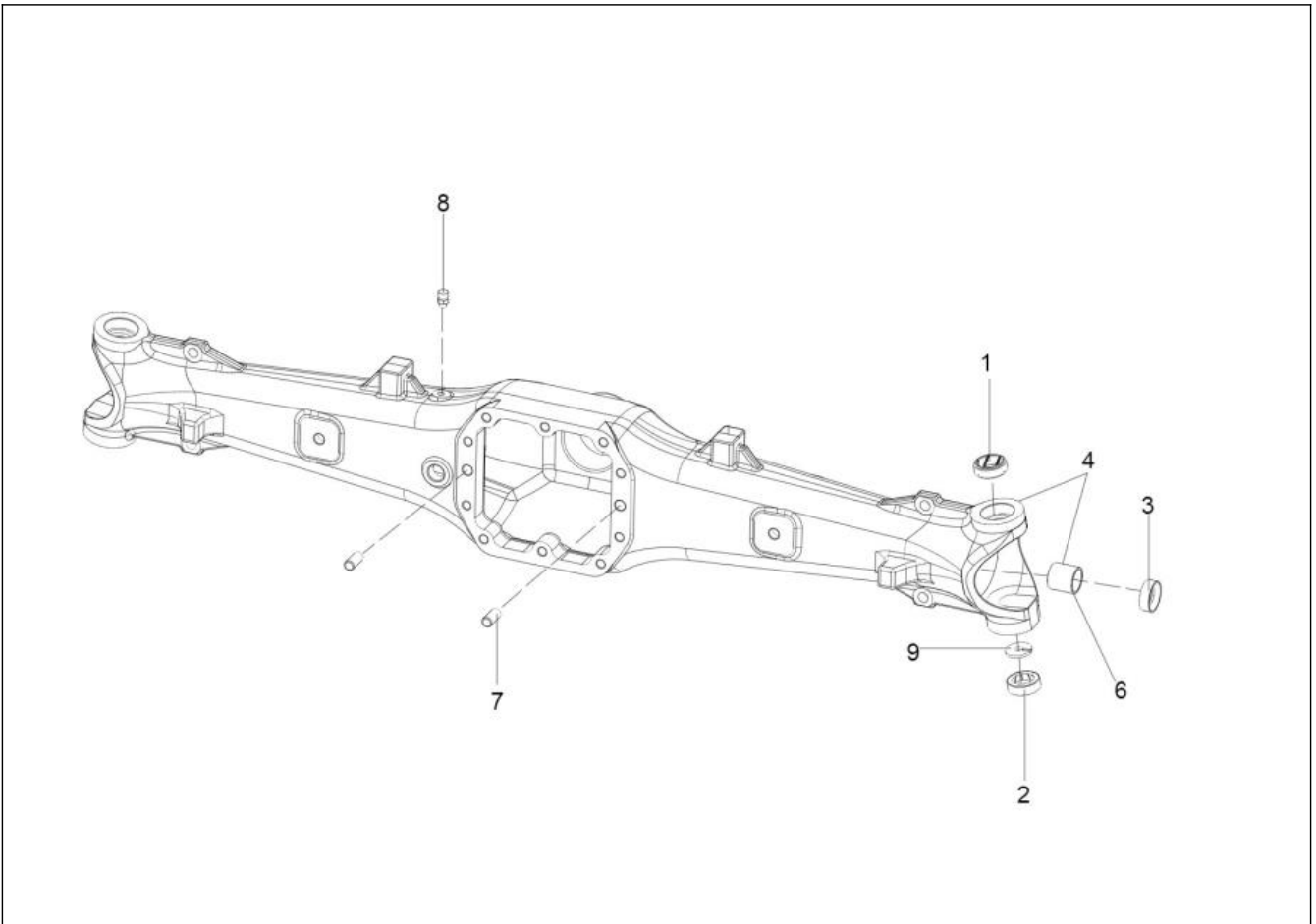


FRONT AXLE  
FA-8\_SWIVEL HOUSING LH/RH



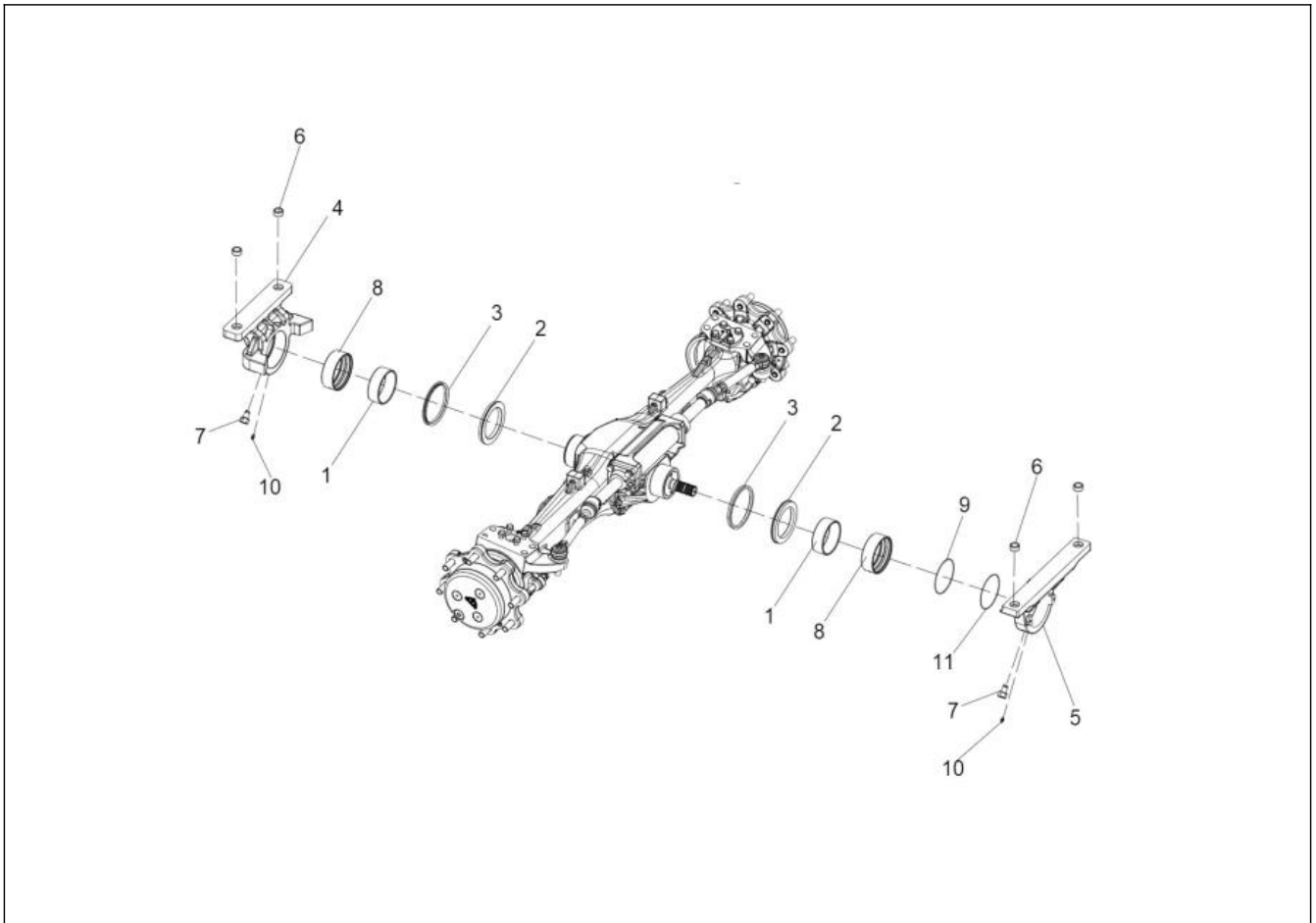
Sr.No	Part Code	Description	Qty	Int.	Cut Off	Remarks
1	300045865A	HEX SCREW M16X100 FOR SWIVEL HSG.	2			
2	20003372AE	HEX LOCK NUT M16X2 SA4GS	2			
3	10027492AA	BUSH	2			
4	20004036AB	SEAL(45X60X10)	2			
5	300046162A	SWIVEL SUB ASSY (RH)	1			
7	300044936A	BUSH FOR SWIVEL HOUSING	4			CHILD PART OF S.NO.5 AND 8
8	300046160A	SWIVEL SUB ASSY (LH)	1			
10	10024952AC	PLASTIC CAP	8			

FRONT AXLE  
FA-9\_BUSHES DOWELS LH/RH



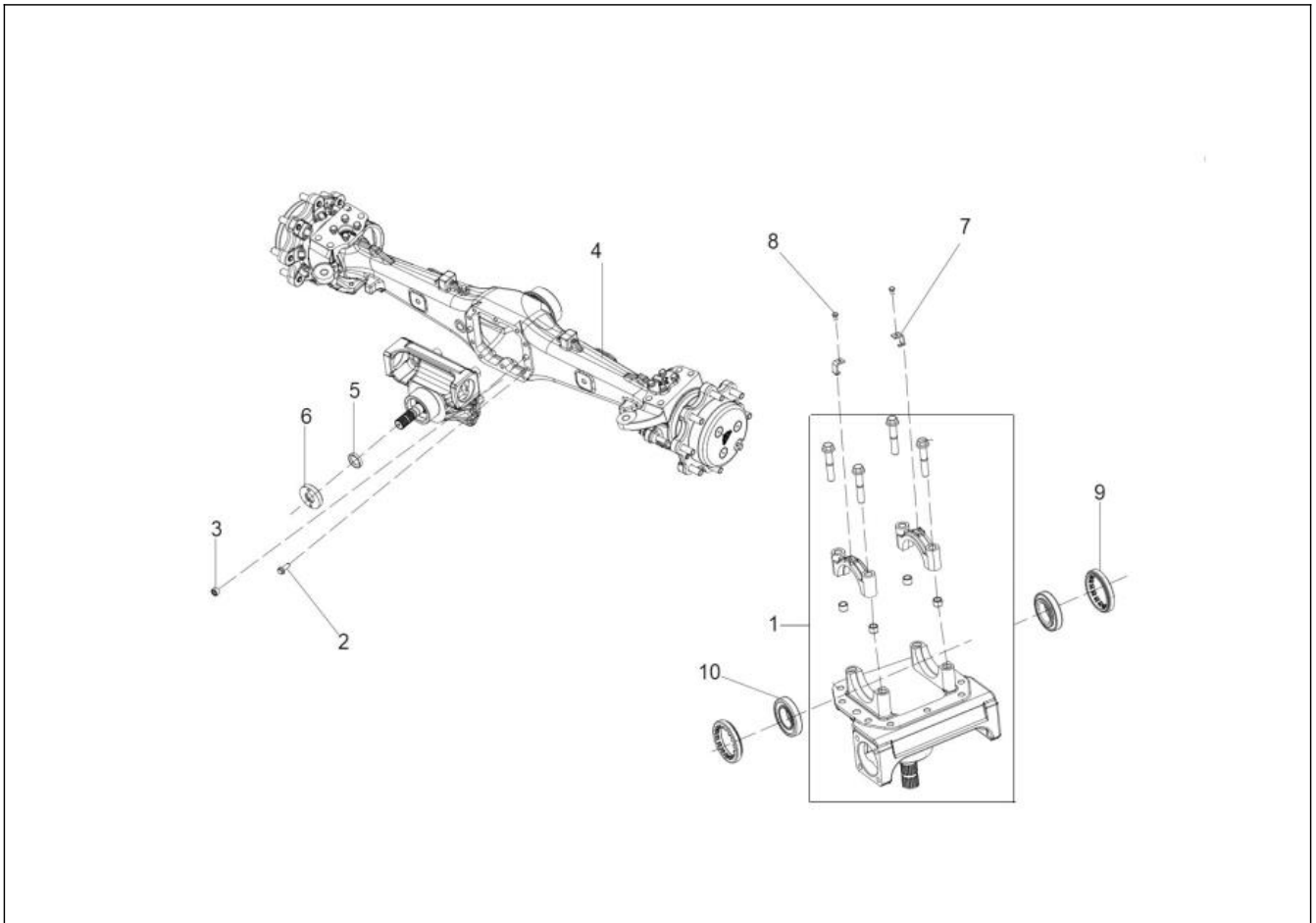
Sr.No	Part Code	Description	Qty	Int.	Cut Off	Remarks
1	10028335AC	CYLINDRICAL BUSHING	2			
2	10028334AC	SPHERICAL BUSHING	2			CHILD PART OF 10011577AA (SPHERICAL BUSH SUB ASSY)
3	20004038AA	SEAL(32X44X10)	2			
4	300046167A	AXLE HOUSING BUSH SUB ASSY	1			
6	300044939A	BUSH FOR FORK DIFF. SIDE	2			CHILD PART OF S.NO.4
7	10028486AA	DOWEL PIN (FOR FRONT AXLE 4WD)	2			
8	300028708B	BREATHER ASSY	1			
9	10028516AA	SPECIAL WASHER FOR FRONT AXLE	2			

FRONT AXLE  
FA-10\_FRONT AND REAR SUPPORT



Sr.No	Part Code	Description	Qty	Int.	Cut Off	Remarks
1	10027561AE	BUSH (FOR AXLE HSG.)	2			
2	10027562AD	THRUST WASHER	2			
3	10027625AB	V-RING (FRONT AXLE 4WD)	2			
4	10011439AC	FRONT TURNION SUPPORT (FOR MULTISPEED TRANSMISSION)	1			
5	300106087A	REAR TRUNION SUPPORT (FINISH)	1			
6	10027577AB	DOWEL FOR FRONT REAR SUPPORT	4			
7	10028497AB	SPECIAL SCREW	2			
8	10027514AF	BUSH (FRONT AXLE HOUSING)	2			
9	10028492AA	O-RING (&#216;216X&#216;2.5)	1			
10	20004029AA	GREASE NIPPLE M6X1	2			
11	300026733B	RUBBER RING	1			

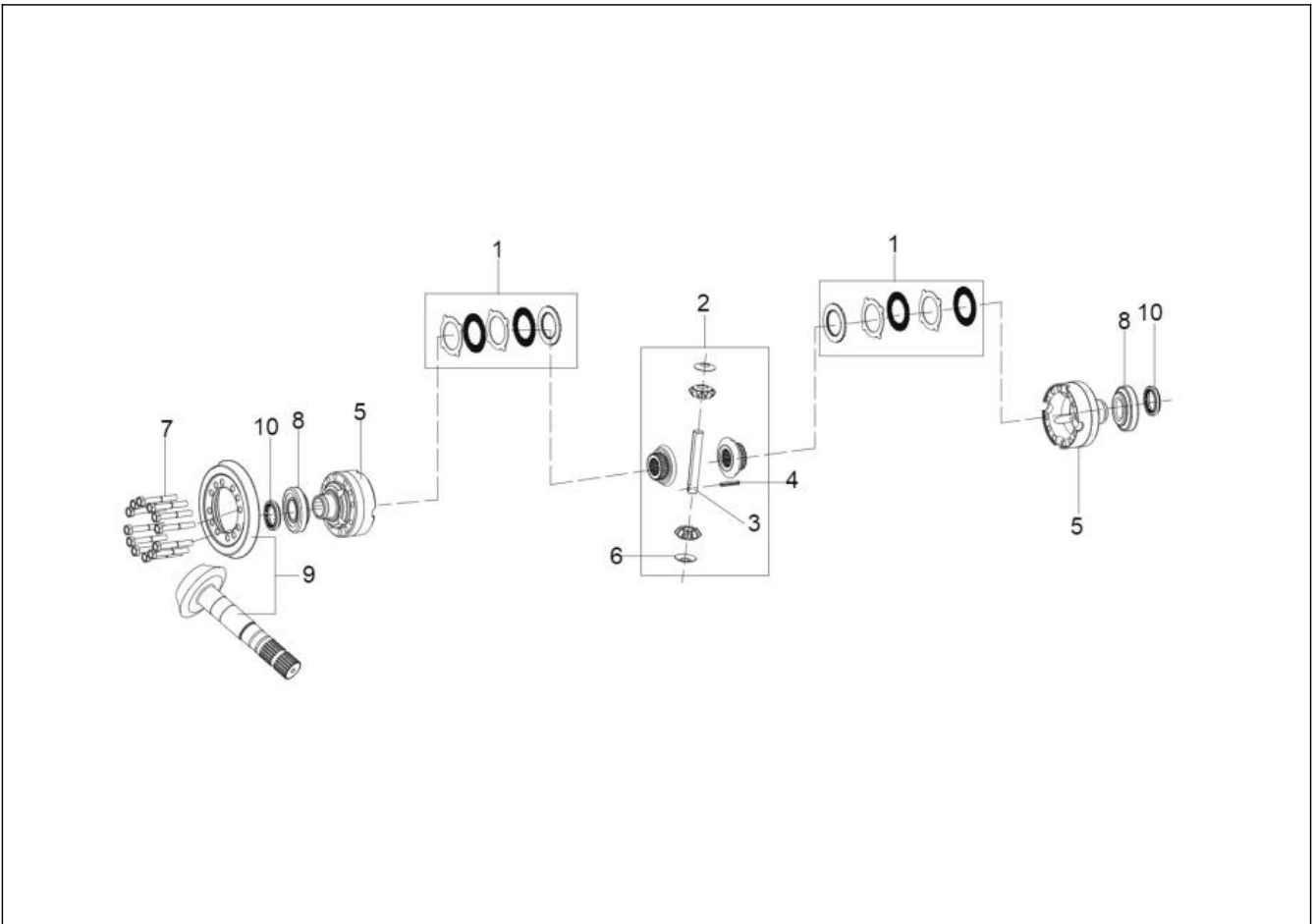
FRONT AXLE  
FA-11\_DIFFRENTIAL WITH AXLE BEAM



Sr.No	Part Code	Description	Qty	Int.	Cut Off	Remarks
1	10028487AE	DIFFERENTIAL SUPPORT ASSY	1			
2	10028545AB	HEX SCREW M12X33	10			
3	20004031AA	HEXAGON SOCKET PIPE PLUG(M24X1.5), DIN906,BN-38	2			
4	300046167A	AXLE HOUSING BUSH SUB ASSY	1			
5	20004039AA	SEAL(33X50X10)	1			
6	10027493AB	COVER	1			
7	10027500AA	LOCKING PLATE (FOR RING NUT)	2			
8	20000104AA	HEX SCREW M6*10	2			
9	10027547AC	RING NUT M94X2 (FRONT AXLE)	2			
10	20004024AA	BEARING 30209	2			

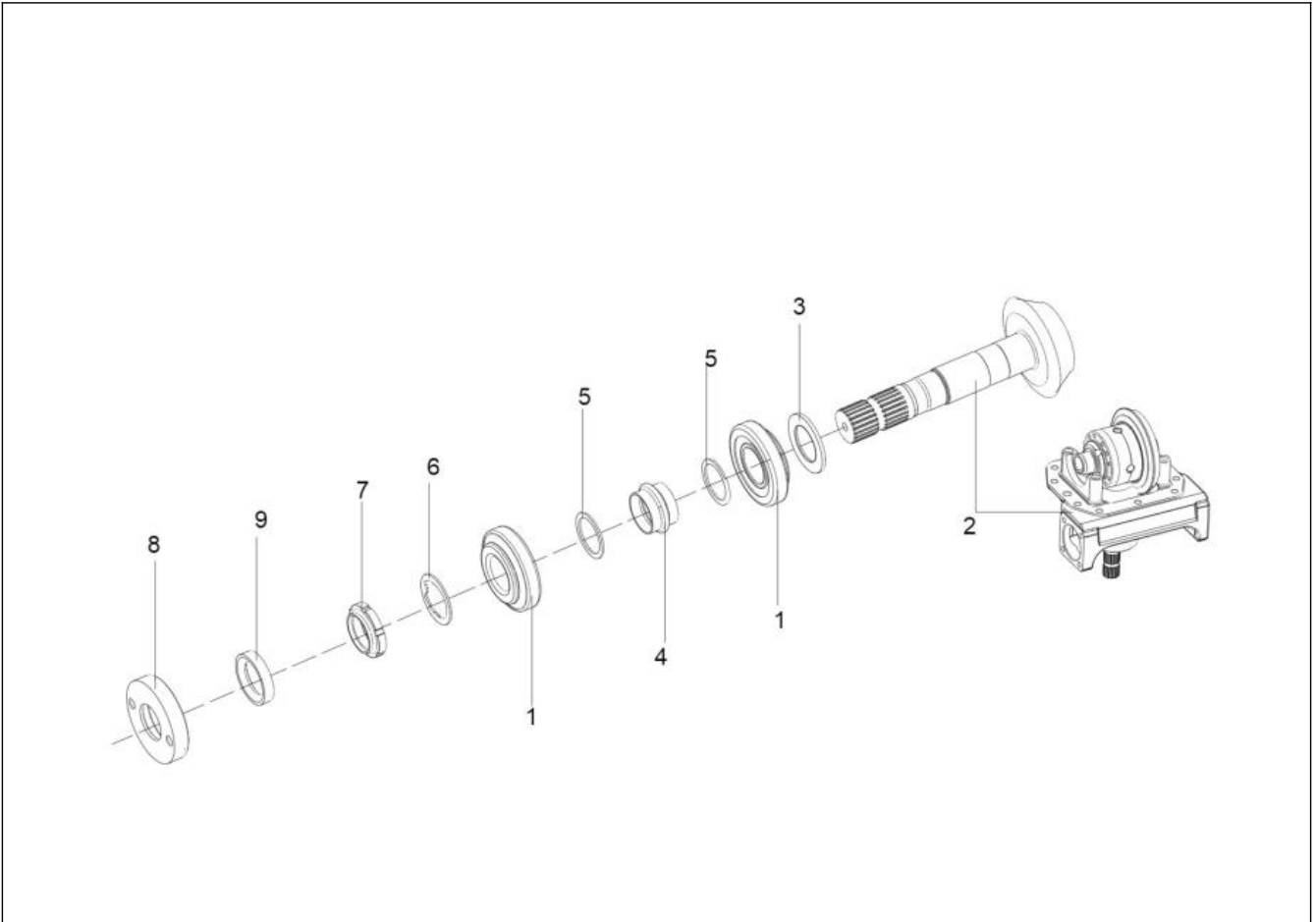


FRONT AXLE  
FA-12\_CAGE ASSY



Sr.No	Part Code	Description	Qty	Int.	Cut Off	Remarks
1	10011436AA	FRICITION DISC SUB ASSY	2			
2	10038584AA	SPIDER KIT SET(10X17)	1			
3	10027487AD	SHAFT FOR BEVEL GEAR	1			
4	20004020AA	SPRING PIN (HEAVY DUTY) DIN-1481, ISO-8752, BN- 876(D6X40)	1			
5	10038599AB	CAGE ASSY	1			
6	10027540AB	THRUST WASHER (FOR SPIDER KIT)	2			
7	10012308AA	SPECIAL BOLT (M10X45)	12			
8	20004024AA	BEARING 30209	2			
9	10028428AC	TAIL PINION CROWN GEAR SET	1			
10	10027547AC	RING NUT M94X2 (FRONT AXLE)	2			

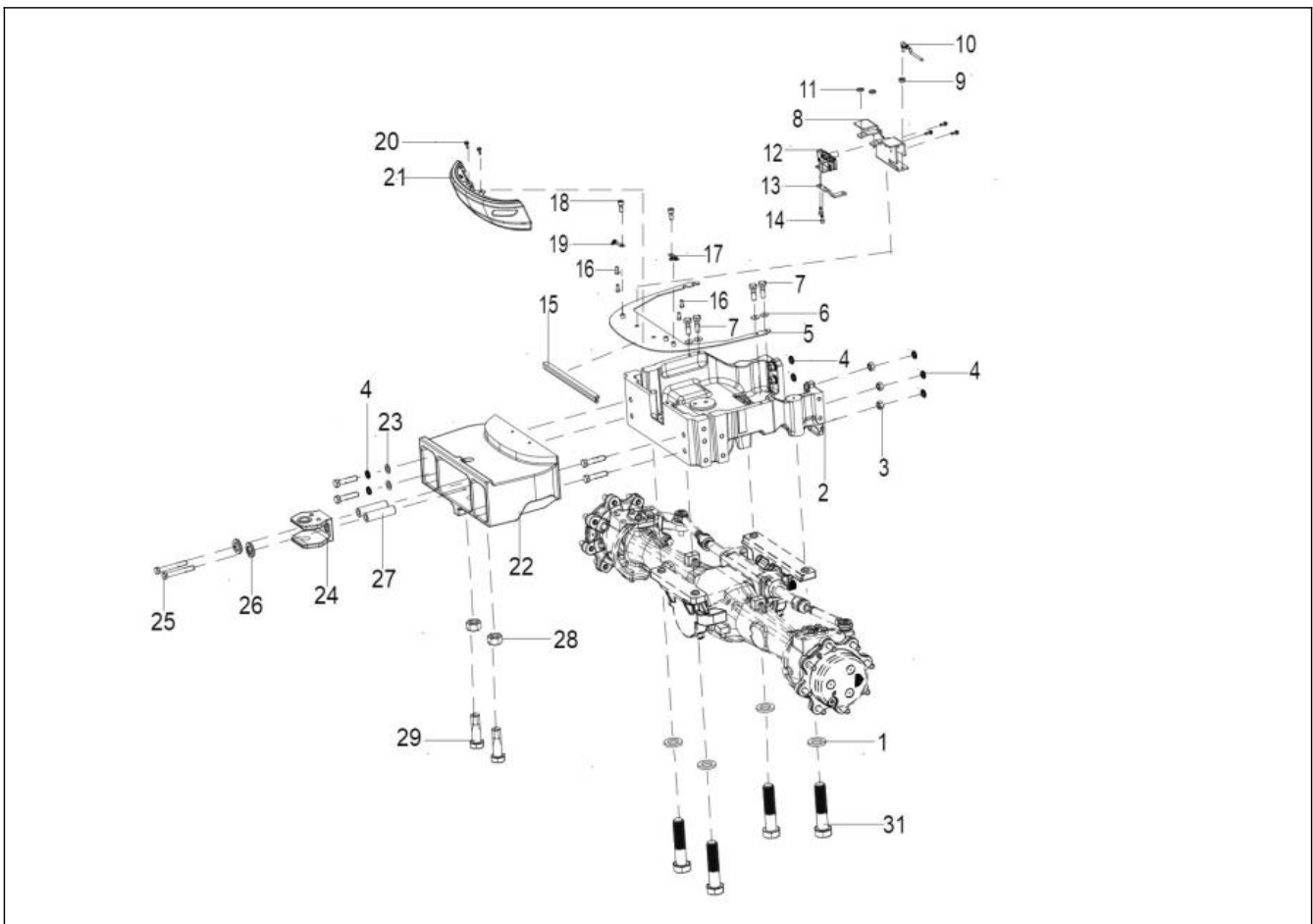
FRONT AXLE  
FA-13\_PINION ASSY



Sr.No	Part Code	Description	Qty	Int.	Cut Off	Remarks
1	20004025AA	BEARING 30307 BV	2			
2	10028428AC	TAIL PINION CROWN GEAR SET	1			
3	10028469AC	SPACER FOR TAIL PINION 3.60 MM	1			USE AS REQUIRED
3	10028470AC	SPACER FOR TAIL PINION 3.70 MM	1			USE AS REQUIRED
3	10028471AC	SPACER FOR TAIL PINION 3.80 MM	1			USE AS REQUIRED
3	10028472AC	SPACER FOR TAIL PINION 3.90 MM	1			USE AS REQUIRED
3	10028473AC	SPACER FOR TAIL PINION 4.00MM	1			USE AS REQUIRED
3	10028474AC	SPACER FOR TAIL PINION 4.10 MM	1			USE AS REQUIRED
3	10028475AC	SPACER FOR TAIL PINION 4.20MM	1			USE AS REQUIRED
3	10028476AC	SPACER TAIL PINION 3.50 MM	1			USE AS REQUIRED
4	10027488AA	COLLAPSIBLE SPACER	1			
5	10027497AA	WASHER FOR TAIL PINION	2			
6	10027482AA	RING NUT M35X1.5 (FOR TAIL PINION)	1			
7	10027483AC	LOCK WASHER	1			
8	10027493AB	COVER	1			
9	20004039AA	SEAL(33X50X10)	1			

## FRONT AXLE

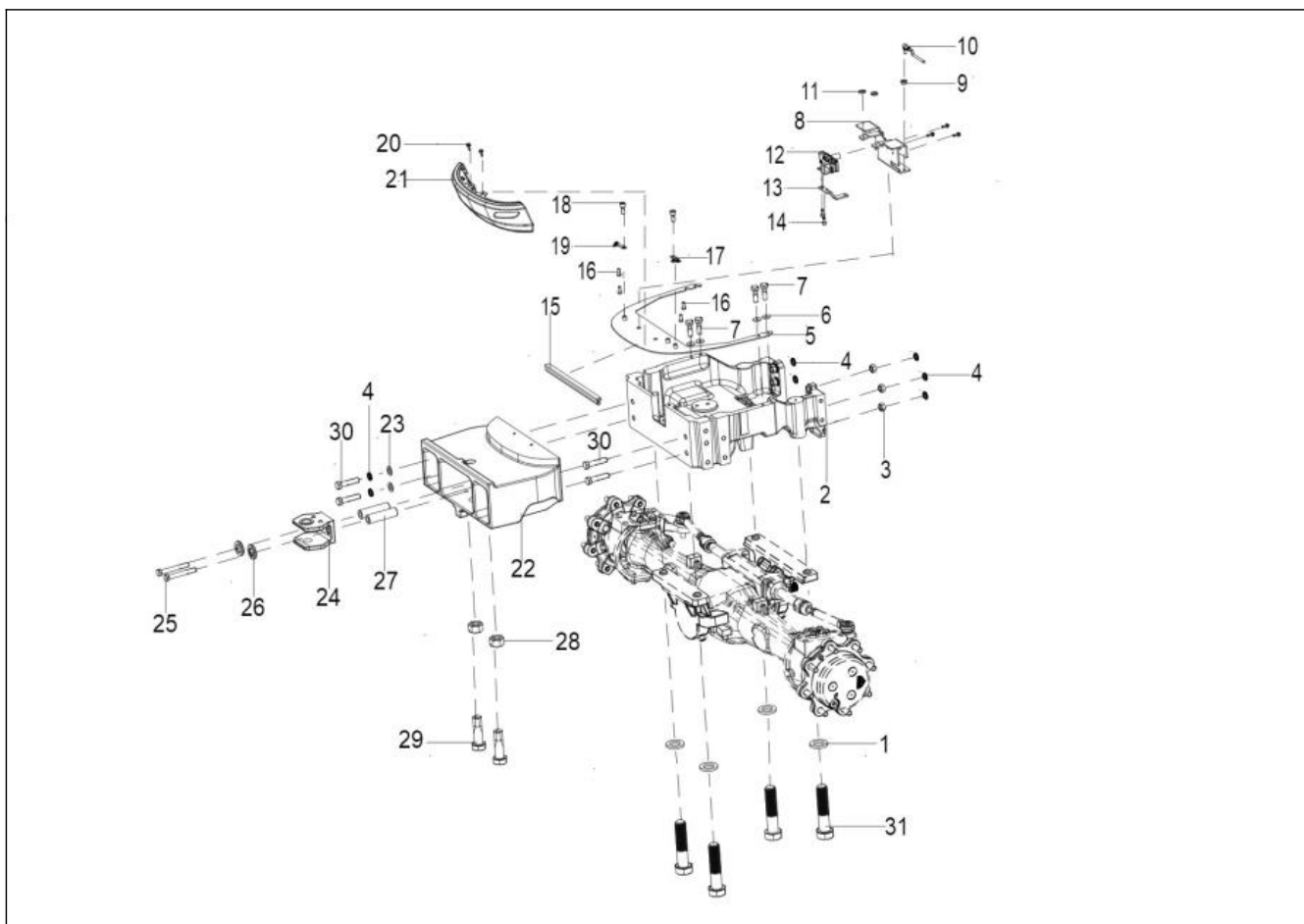
## FA-14\_FRONT AXLE SYSTEM CABIN



Sr.No	Part Code	Description	Qty	Int.	Cut Off	Remarks
1	20005457AA	SPRING WASHER B-20 JIS B 1251 NO.2 20S	4			
2	300150111A	FRONT AXLE BKT	1			
3	300031362A	HEX NUT	6			
4	20005522AA	SPRING WASHER B-18 TYPE A IS:3067-1972	10			
5	300277156B	BONNET RESTING PLATE ASSY CABIN	1			
6	20004935AB	PLAIN WASHER DIA 8.4 *DIA 17*1.6	4			
7	20005564AA	HEX HEAD SCREW M8X1.25-25 -8.8 SA4GS	6			
8	300167576A	BONNET LOCK MTG BRACKET	1			
9	20004917AB	HEX NYLOC NUT M8*1.25 8	1			
10	300185825B	LINK ROD BONNET ASSY.	1			
11	04030400008	SPRING WASHER B-8	2			
12	10094010AA	BONNET LOCK ASSY	1			
13	300167916B	BONNET LOCK PLATE INTERMEDIATE	1			
14	20004509AA	SHC SCREW M4X0.7X10-CLASS 8.8-SA2JS	2			
15	300035312A	BEADING FOR BONNET SIDE SEALING	1			
16	20005113AA	TRUSS PHILIPS M/S SCREW (M6X15)	4			
17	300273037A	BRACKET CLADDING MTG ASSY LH	1			
18	10084734AA	SOCKET HEAD CAP SCREW M6X15	2			
19	300273515A	BRACKET CLADDING MTG ASSY RH	1			
20	20005541AA	HEX FLANGE SCREW M6*1*20 -8.8 SA4GS	6			
21	300185484D	LOWER FRONT PANNEL STAGE V	1			
22	300179331B	FRONT WEIGHT FOR CABIN	1			
23	20005005AB	PUNCHED WASHER A 18 IS:2016 STEEL	4			
24	10068589AB	FRONT TOW HOOK	1			
25	20003332AD	HEX BOLT M16X2X120	2			
26	20003674AB	SPRING WASHER B-16 TYPE-A IS:3063-1972	2			
27	300247282B	SPACER FOR FRONT WEIGHT 60HP CABIN	2			
28	20005493AA	HEX NUT M16X2 -8 SA4GS	2			
29	20004094AD	HEX BOLT M16X2X50 8.8 SA4GS	2			
31	20004056AA	HEX BOLT M20X2.5X92	4			

## FRONT AXLE

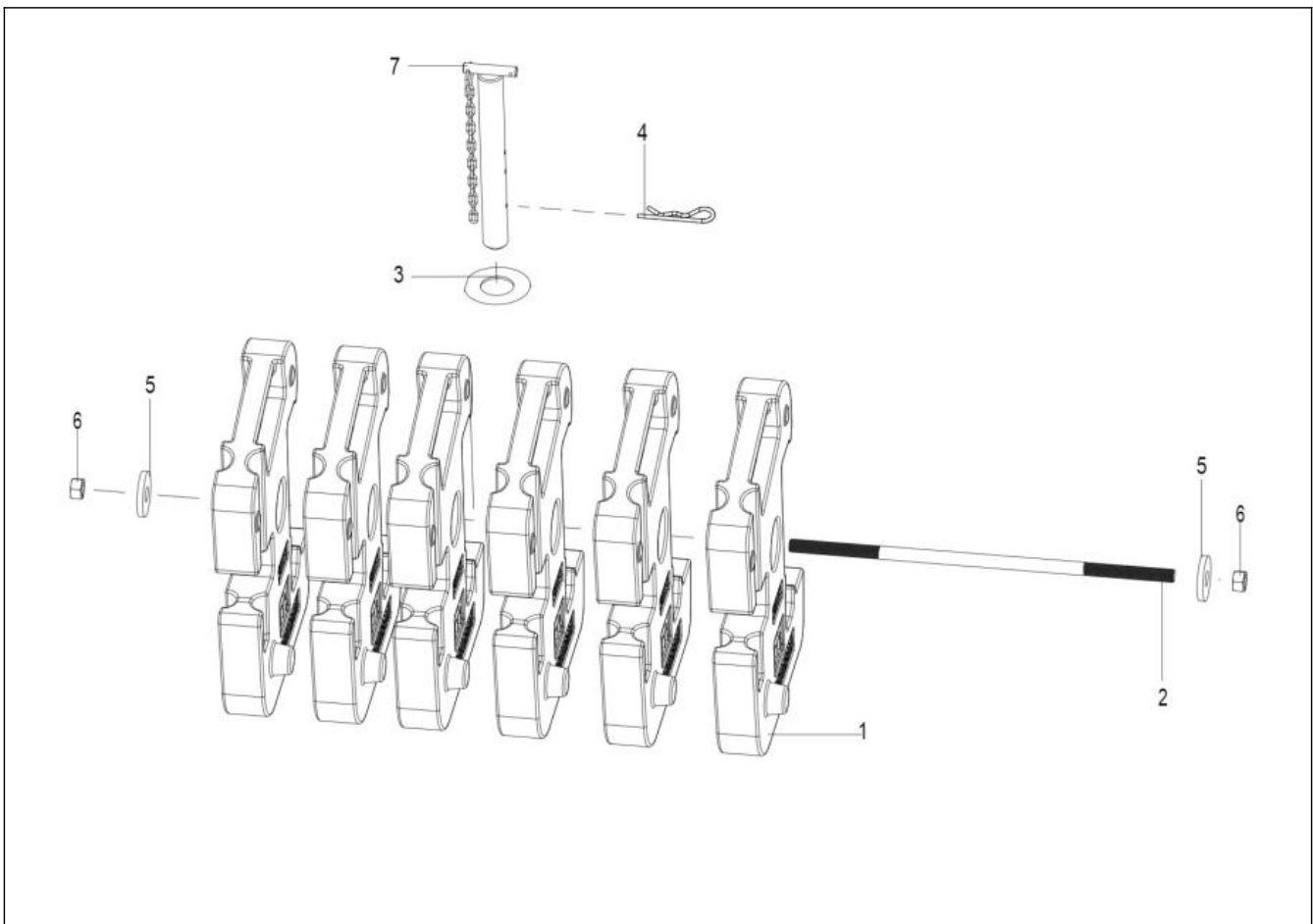
## FA-15\_FRONT AXLE SYSTEM ROPS



Sr.No	Part Code	Description	Qty	Int.	Cut Off	Remarks
1	20005457AA	SPRING WASHER B-20 JIS B 1251 NO.2 20S	4			
2	300150111A	FRONT AXLE BKT	1			
3	300031362A	HEX NUT	6			
4	20005522AA	SPRING WASHER B-18 TYPE A IS:3067-1972	10			
5	300274463B	BONNET RESTING PLATE ASSY CABIN	1			
6	20004935AB	PLAIN WASHER DIA 8.4 *DIA 17*1.6	4			
7	20005564AA	HEX HEAD SCREW M8X1.25-25 -8.8 SA4GS	6			
8	300167576A	BONNET LOCK MTG BRACKET	1			
9	20004917AB	HEX NYLOC NUT M8*1.25 8	1			
10	300185825B	LINK ROD BONNET ASSY.	1			
11	4030400008	SPRING WASHER B-8GGG	2			
12	10094010AA	BONNET LOCK ASSY	1			
13	300167916B	BONNET LOCK PLATE INTERMEDIATE	1			
14	20004509AA	SHC SCREW M4X0.7X10-CLASS 8.8-SA2JS	2			
15	300035312A	BEADING FOR BONNET SIDE SEALING	1			
16	20005113AA	TRUSS PHILIPS M/S SCREW (M6X15)	4			
17	300273037A	BRACKET CLADDING MTG ASSY LH	1			
18	10084734AA	SOCKET HEAD CAP SCREW M6X15	2			
19	300273515A	BRACKET CLADDING MTG ASSY RH	1			
20	20005541AA	HEX FLANGE SCREW M6*1*20 -8.8 SA4GS	6			
21	300185484D	LOWER FRONT PANNEL STAGE_V	1			
22	300117781B	FRONT WEIGHT	1			
23	20005005AB	PUNCHED WASHER A 18 IS:2016 STEEL	4			
24	300241965A	FRONT TOW HOOK	1			
25	20003332AD	HEX BOLT M16X2X120	2			
26	20003674AB	SPRING WASHER B-16 TYPE-A IS:3063-1972	2			
27	300247282B	SPACER FOR FRONT WEIGHT 60HP CABIN	2			
28	20005493AA	HEX NUT M16X2 -8 SA4GS	2			
29	20004094AD	HEX BOLT M16X2X50 8.8 SA4GS	2			
30	20005452AA	HEX BOLT M18X2.5X80 10.9 SA4GS	4			
31	20004056AA	HEX BOLT M20X2.5X92	4			

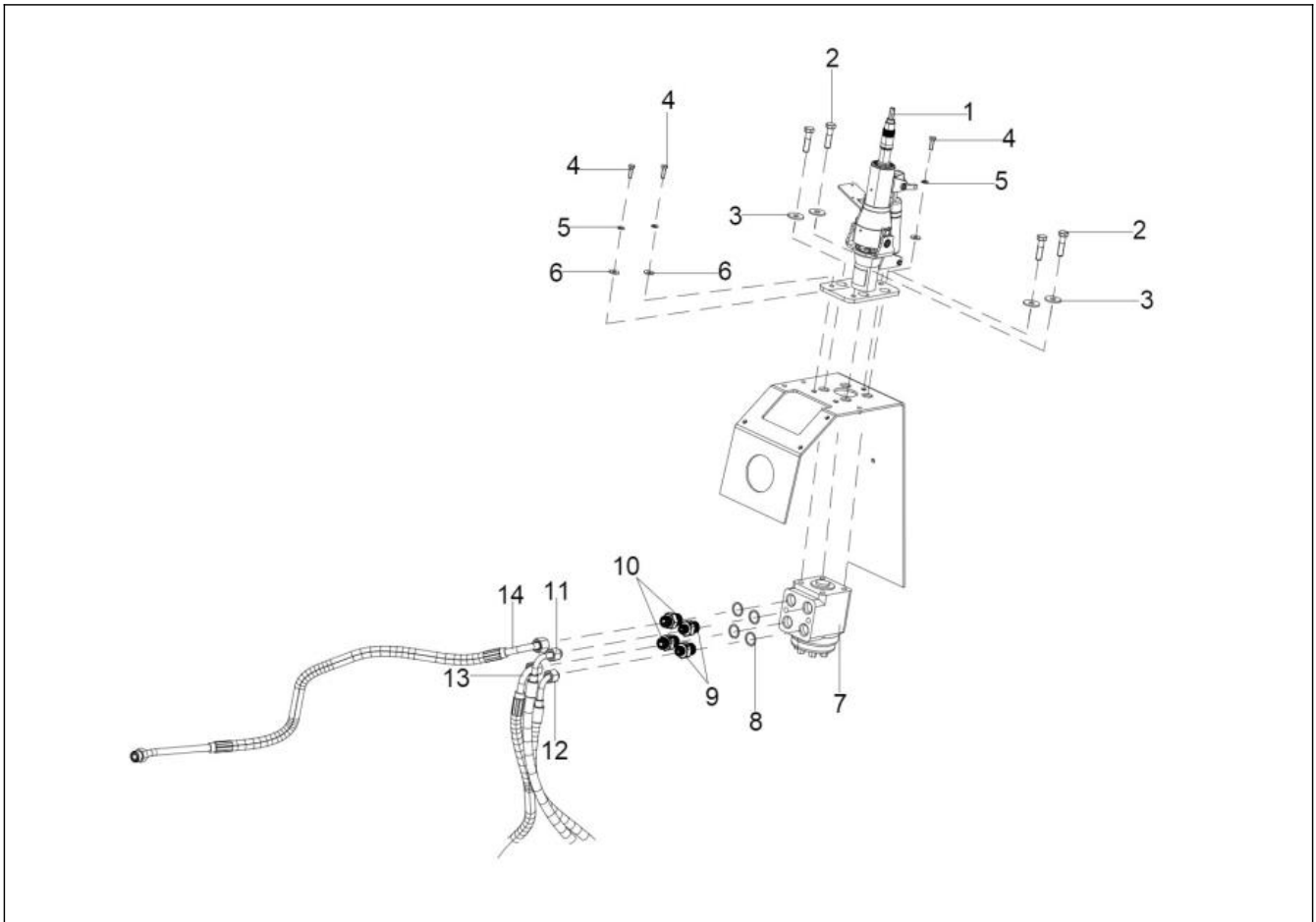


FRONT AXLE  
FA-16\_FRONT REMOVABLE WEIGHT



Sr.No	Part Code	Description	Qty	Int.	Cut Off	Remarks
1	10070281AB	FRONT REMOVABLE WEIGHT 31KG	6			
2	10086407AB	ROD FOR FRONT WEIGHT	1			
3	10008098AA	THRUST WASHER	1			
4	10039221AA	BETA PIN DIA 4.5	1			
5	10039601AA	SPECIAL WASHER FOR FRONT WEIGHT (FOR EPA	2			
6	20005493AA	HEX NUT M16X2 -8 SA4GS	2			
7	10093612AC	FRONT TOE PIN	1			

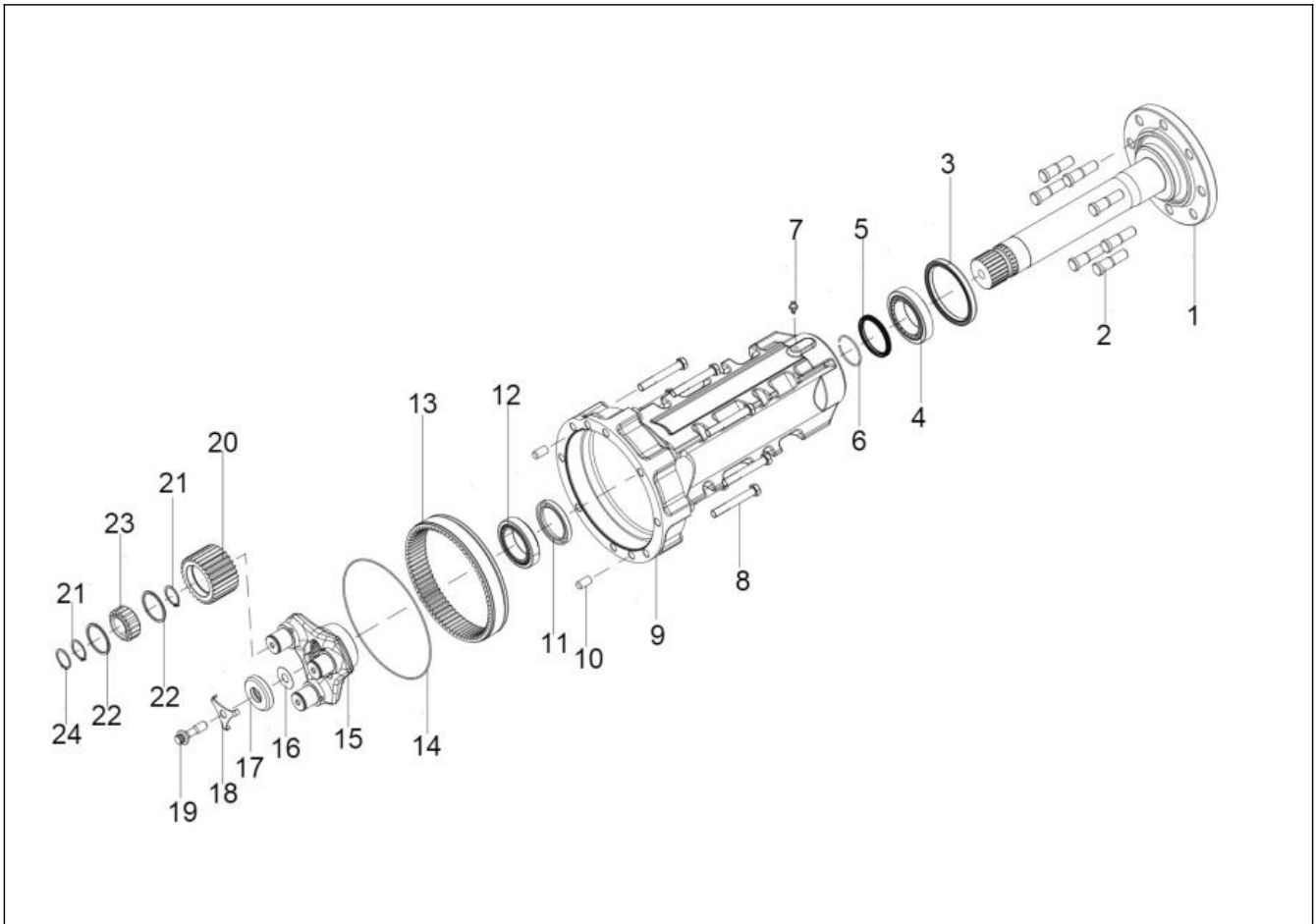
STEERING  
ST-1\_STEERING COLUMN



Sr.No	Part Code	Description	Qty	Int.	Cut Off	Remarks
1	10082157AC	TILTABLE & TELESCOPIC STEERING COLUMN	1			
2	20003230AB	HEX. BOLT M10X1.5X40 8-8 SA3NS	4			
3	20005523AA	PLAIN WASHER A 10.5 IS:5370 STEEL	4			
4	20005569AA	HEX SCREW M6X1X20	3			
5	20005516AA	SPRING WASHER B-6 TYPE A IS:3067-1972	3			
6	20005524AA	PLAIN WASHER A 6.4 IS:5370 STEEL	3			
7	300105375A	STEERING UNIT- 100CC	1			
8	04031021026	SEALING WASHER DIA 21* DIA26*1.5	4			
9	300174807A	ADAPTOR 1/2" BSP & 11/16UNF	2			
10	300174806A	ADAPTOR 1/2" BSP & 13/16 UNF	2			
11	300169371B	STG. UNIT L TO STG. CYL. LH PORT	1			
12	300169369B	STG. UNIT TO STG. CYL. RH PORT	1			
13	300173113B	SEC. FL. PIPE SMALL PUMP TO STG UNIT	1			
14	300170392C	FLEXIBLE PIPE STG. UNIT TO STG. OIL TANK	1			

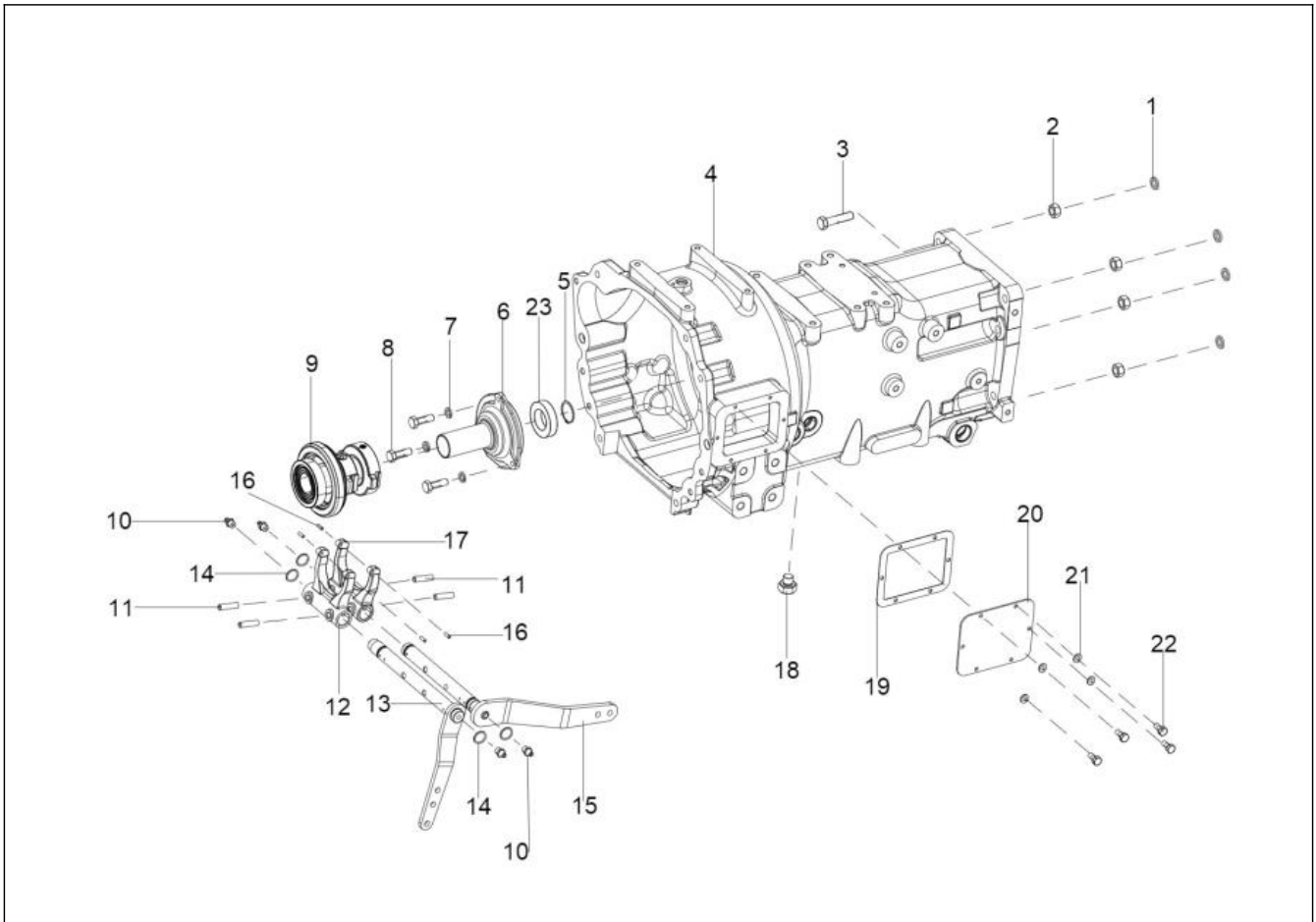
## REAR AXLE

## RA-1\_TRUMPET HOUSING LH/RH



Sr.No	Part Code	Description	Qty	Int.	Cut Off	Remarks
1	10066896AB	REAR AXLE	2			
2	200003549A	REAR WHEEL BOLT	16			
3	20004359AA	OIL SEAL (114X135X13)	2			
4	20004870AA	TRB 32014X NBC	2			
5	20004872AA	OIL SEAL (70X85X8)	2			
6	10065217AA	RING	2			
7	20003460AC	CONICAL HEAD GRESE NIPPLE B M8X1 IS:4009	2			
8	20004163AC	HEX. BOLT M14*2*100 SA4GS	16			
9	10066039CA	TRUMPET HOUSING (60 HP)	2			
10	10065224AA	DOWEL	4			
11	20004096AA	OIL SEAL(65X90.3X10)	2			
12	20004098AA	TR BEARING 32013XS	2			
13	10066891AA	INTERNAL GEAR Z-73 FOR 60HP	2			
14	10065714BB	O-RING &#216;246.5X &#216;2.6	2			
15	10069170AB	PLANET CARRIER	2			
16	10065398AC	SHIM 0.1MM (FOR REAR AXLE)	9			USE AS REQUIRED
16	10065399AC	SHIM 0.3MM (FOR REAR AXLE)	9			USE AS REQUIRED
17	10065222AD	LOCKING PLATE	2			
18	10066726AA	LOCKING WASHER REAR AXLE	2			
19	300044862A	SCREW(REAR AXLE )	1			
20	10069172AA	PLANET GEAR Z-28 FOR 60HP	6			
21	04020100065	INTERNAL CIRCLIP B - 65	4			
22	10066904AA	SPACER PLANET GEAR FOR 60HP	4			
23	20004973AA	CRB BEARING JC 3464.31 37X64.5X31	6			
24	20004992AA	EXTERNAL CIRCLIP A-37 DIN 471 NORMAL	6			

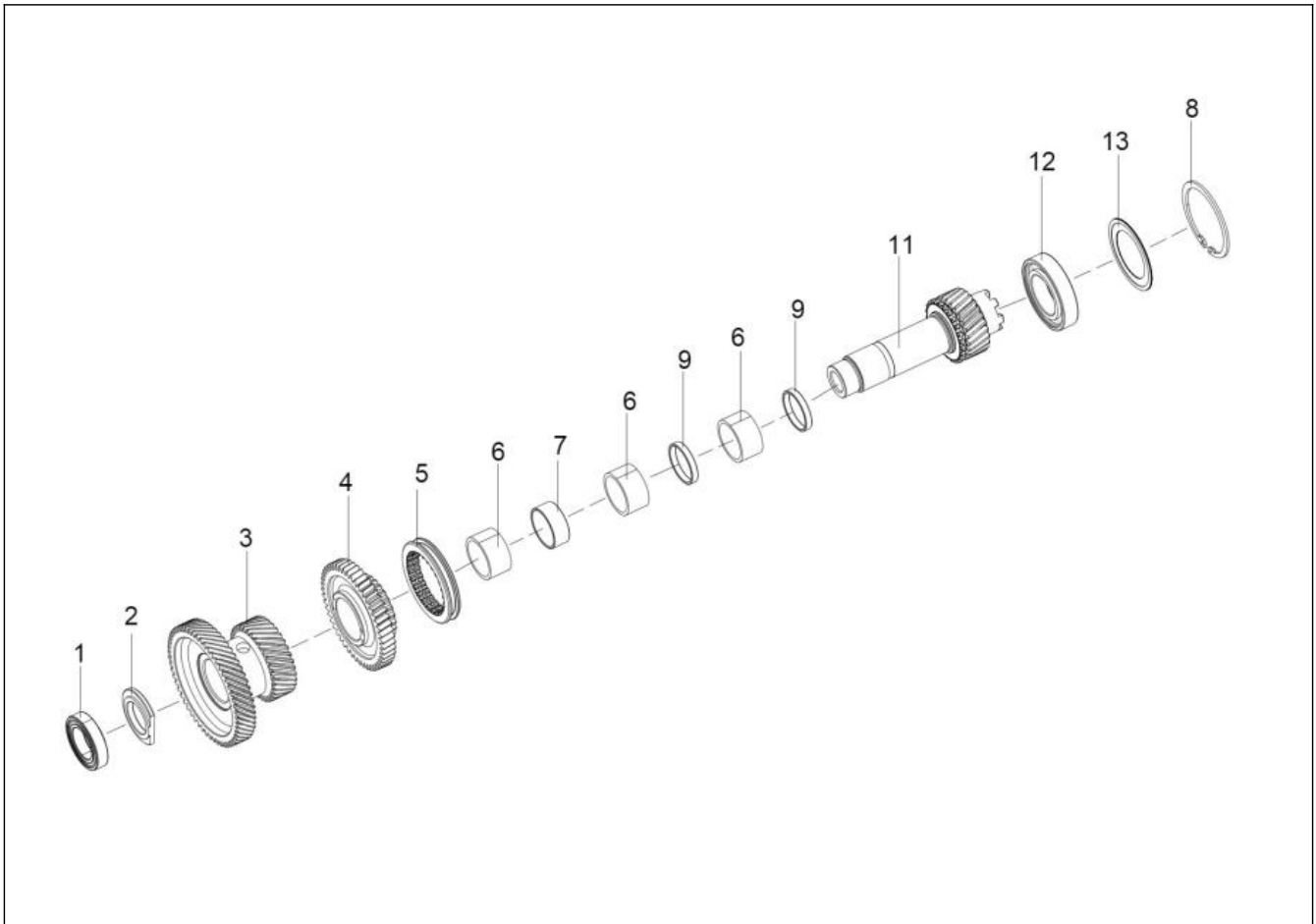
TRANSMISSION  
TM-1\_CLUTCH HOUSING ASSY



Sr.No	Part Code	Description	Qty	Int.	Cut Off	Remarks
1	20004070AA	NORD LOCK WASHER B14	8			
2	20003361AA	HEX NUT M14*2	7			
3	20003233AC	HEX. BOLT M14*2*60	1			
4	300123433B	CLUTCH HOUSING ASSY	1			
5	04020200040	EXTERNAL CIRCLIP A-40	1			
6	10066151AA	C.A. GUIDE	1			
7	04030400008	SPRING WASHER B-8	3			
8	20001089AD	HEX. HEAD SCREW M8 X 1.25-25 8-8 SA2JS	3			
9	300036335A	ANGULAR CONTACT CLUTCH RELEASE BEARING ASSY	1			
10	20003460AC	CONICAL HEAD GRESE NIPPLE B M8X1 IS:4009	4			
11	20004291AA	COTTER SLEEVE &#216;10*40 DIN 1481	4			
12	10065132AF	C.A. FORK PTO	1			
13	300188555B	C.A.SHAFT(PTO) SOLIS 60	1			
14	10003960AC	O-RING	4			
15	10080189AD	C.A. SHAFT ASSY, TRANSMISSION	1			
16	04010305015	SPRING COTTER SLEEVE DIA 5 *15	4			
17	10065133AF	C.A FORK TRANSMISSION	1			
18	10081647AA	PLUG FOR CLUTCH HSG.	1			
19	10007903CC	GASKET (COVER PLATE)	1			
20	10007902CA	COVER PLATE (BELL HOUSING)	1			
21	20005516AA	SPRING WASHER B-6 TYPE A IS:3067-1972	6			
22	20005496AA	HEX HEAD SCREW M6X1X14 8.8 SA4GS	6			
23	20003843AA	BALL BEARING 6008 2RS	1			

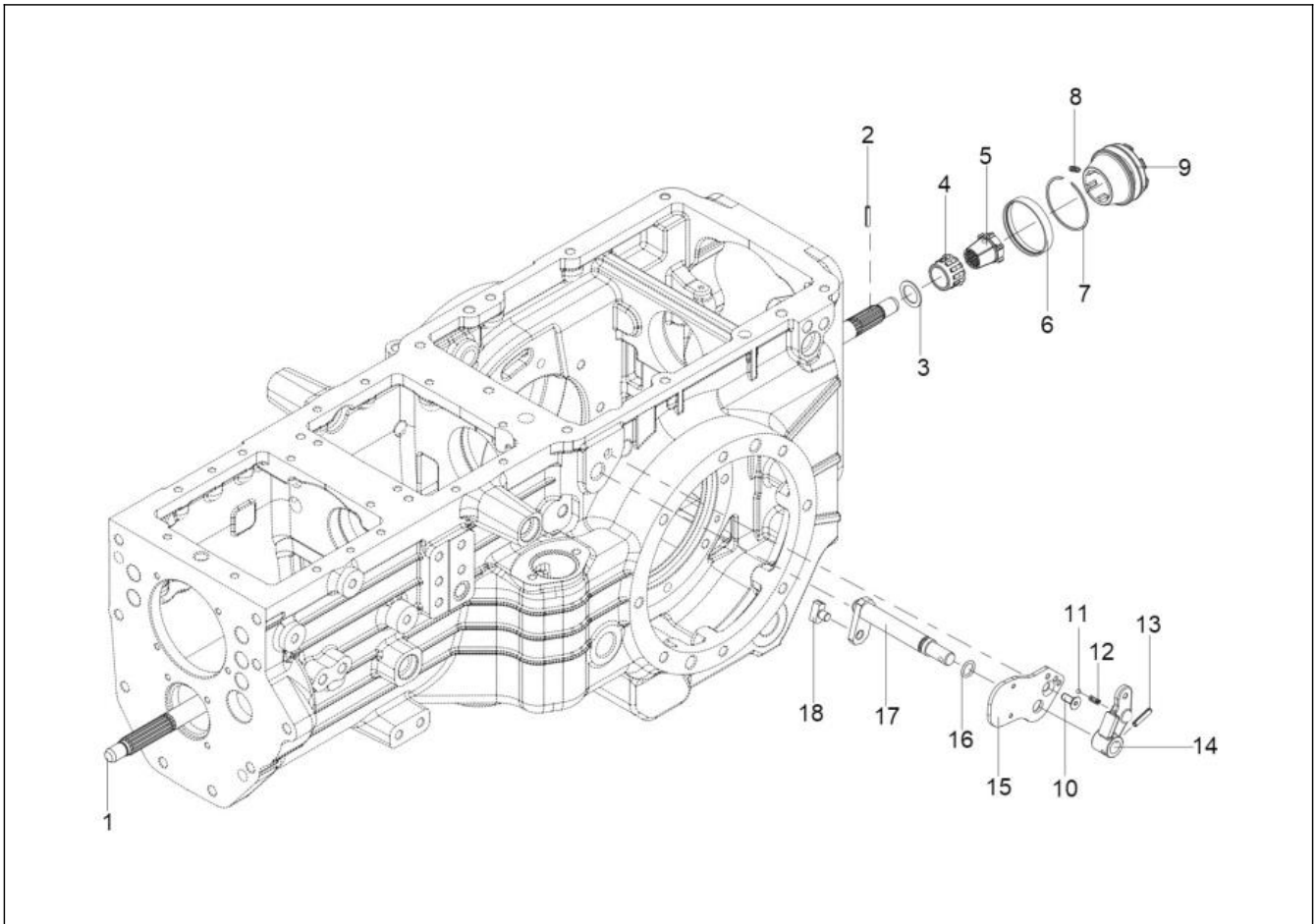


TRANSMISSION  
TM-2\_HIGH/LOW INTERMEDIATE SHAFT



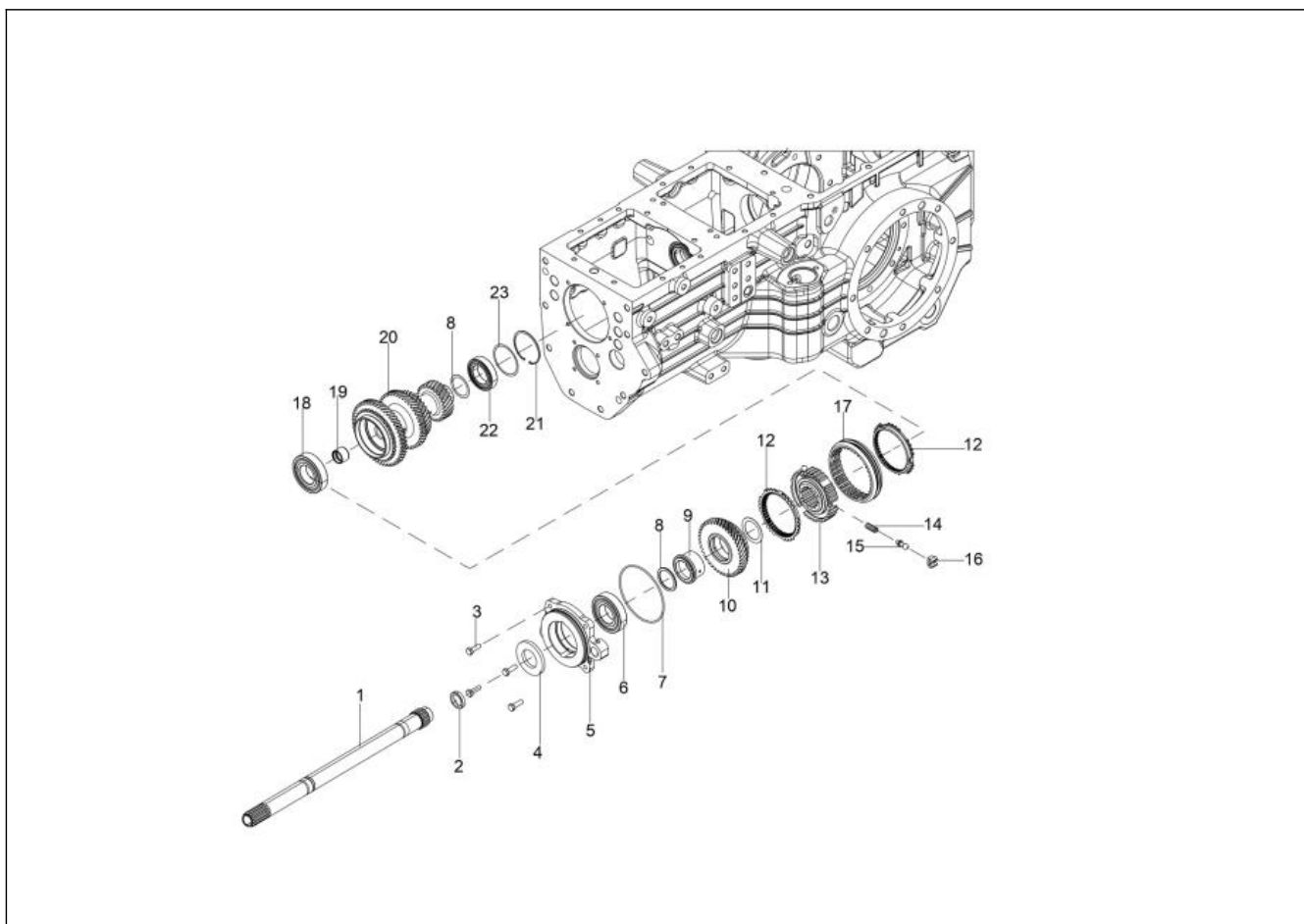
Sr.No	Part Code	Description	Qty	Int.	Cut Off	Remarks
1	20003843AA	BALL BEARING 6008 2RS	1			
2	10069185AB	SPECIAL WASHER FOR HI LOW SHAFT FOR 60HP	1			
3	10066938AA	LOW MEDIUM & MEDIUM GEAR Z-56/34 (OPTION	1			
4	10066871AA	GEAR Z-49 (LOW DRIVEN) FOR 60HP	1			
5	10065035AB	SLEEVE FOR LOW	1			
6	20003860AA	NEEDLE CAGE B45 53 28	3			
7	10065041AC	SPACER 3RD FOR HI-LOW	1			
8	04020100090	INTERNAL CIRCLIP B - 90	1			
9	10065274AC	SPACER 1ST FOR HI-LOW	2			
11	10065032BA	HI-LOW INTERMEDIATE SHAFT Z-26	1			
12	20004518AA	BALL BEARING 6210	1			
13	10066312AD	SHIM 1MM FOR BEARING 6210	1			USE AS REQUIRED
13	10065144AD	SHIM 0.3 MM (HI-LOW INTERMEDIATE SHAFT)	1			USE AS REQUIRED
13	10065268AD	SHIM 0.1 MM (HI-LOW INTERMEDIATE SHAFT)	1			USE AS REQUIRED

TRANSMISSION  
TM-3\_PTO SHAFT ASSY



Sr.No	Part Code	Description	Qty	Int.	Cut Off	Remarks
1	10080220AB	DRIVE SHAFT	1			
2	20005031AA	SPRING COTTER SLEEVE 5X26 HEAVY DUTY DIN	1			
3	10066308AB	WASHER FOR DRIVE SHAFT	1			
4	10065062BA	RING FOR COUPLER	1			
5	10065063AC	COUPLER	1			
6	10065061AB	RING	1			
7	10065060AC	SNAP RING FOR DUAL PTO	1			
8	10065422AC	COMPRESSION SPRING	1			
9	10065090AD	COUPLER DUAL PTO	1			
10	10085762AA	HEXAGONAL SOCKET COUNTERSUNK SCREW M8X20	1			
11	20005069AA	STEEL BALL 1/4"	1			
12	300273880A	COMPRESSION SPRING	1			
13	20005032AB	20005032AA_SPRING COTTER SLEEVE_6X30	1			
14	300179340A	PTO_LEVER_HUB(300435019)	1			
15	300347681A	GUIDE PLATE FOR PLUNGER SWITCH	1			
16	10065727AC	O-RING 165;15.2X 165;2.8	1			
17	10065210AE	LEVER ASSY	1			
18	10065211AB	SLIDING PIN FOR FORK PTO	1			

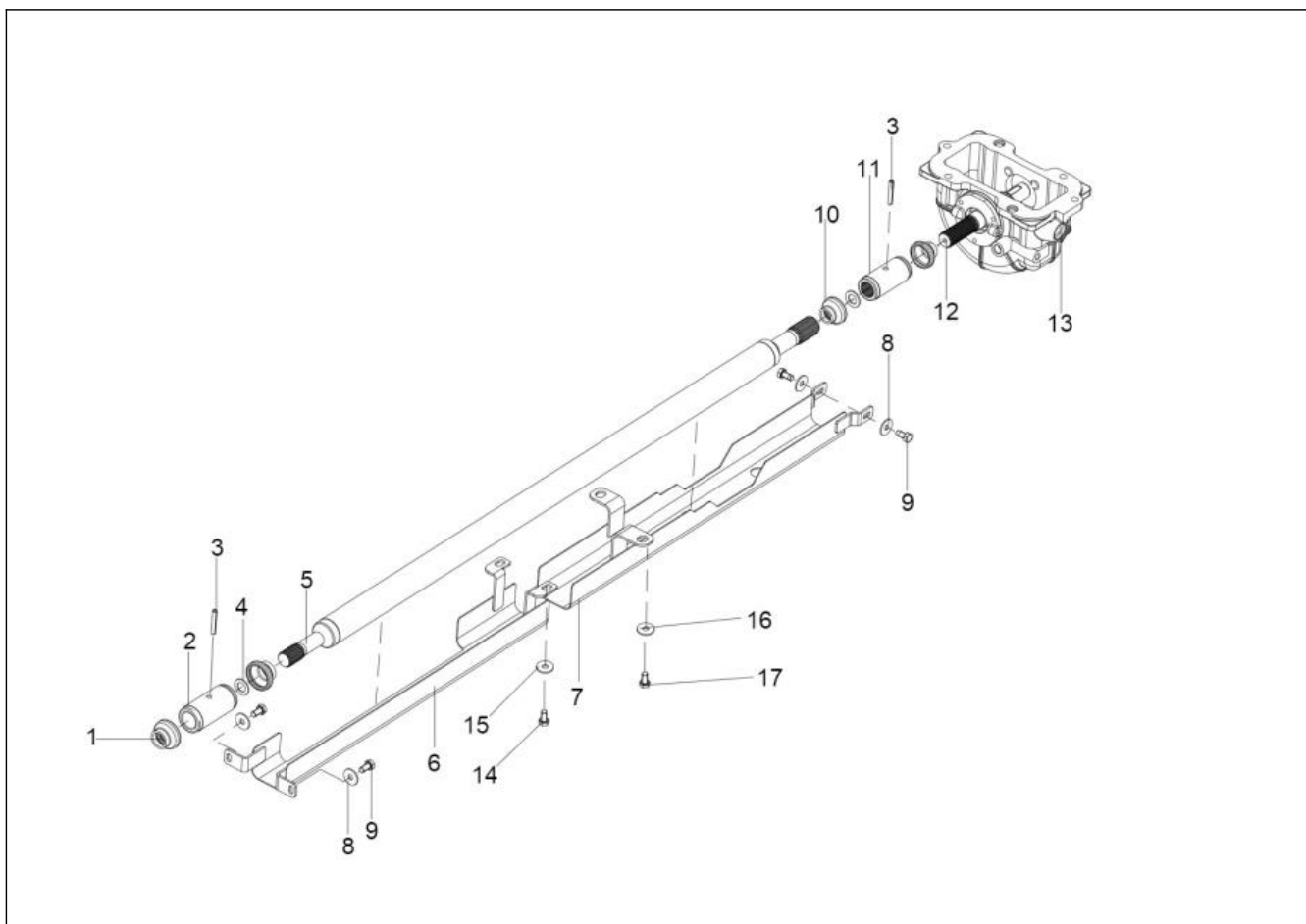
TRANSMISSION  
TM-4\_INPUT SHAFT ASSY



Sr.No	Part Code	Description	Qty	Int.	Cut Off	Remarks
1	10066740AA	INPUT SHAFT	1			
2	20003908AB	OIL SEAL 35X24X7	1			
3	20005559AA	HEX HEAD SCREW M8X1.25X16 -8.8 SA4GS	4			
4	20003883AB	OIL SEAL 40X72X7 (BAUD2SL) BEARING HOUSING	1			
5	10065183BA	INPUT SHAFT FRONT COVER	1			
6	20004347AA	BALL BEARING 6208 LLU	1			
7	10065726BA	O- RING &#165;117.5X&#165;3	1			
8	300199219A	SPACER INPUT SHAFT (2.5 MM)	2			
9	10069142AB	BUSH REVERSE INPUT SHAFT	1			
10	300167664A	INPUT GEAR Z-43 (FINFISH NO.)	1			
11	10066390AB	SHIM 0.5MM	1			
12	10065096AB	SYNCHRONIZER FOR SHUTTLE	2			
13	10065098AD	HUB FOR SHUTTLE	1			
14	10065422AC	COMPRESSION SPRING	3			
15	10065079AG	BALL FOR SHUTTLE	3			
16	10065078AF	STRUT (1/2/3/4/SHUTTLE)	3			
17	10065080AE	SLEEVE FOR HUB(1ST/2ND/3RD/4TH SHUTTLE)	1			
18	20004516AA	BALL BEARING 6208 2RS1	1			
19	300044931A	BUSH FOR INTERMEDIATE SHAFT	1			
20	300192278A	INTERMEDIATE SHAFT & amp; BUSH SUB	1			
21	20004275AA	INTERNAL CIRCLIP B-68 IS:3075	1			
22	20003843AA	BALL BEARING 6008 2RS	1			
23	10040583AA	SHIM 60X68X0.1	1			

## TRANSMISSION

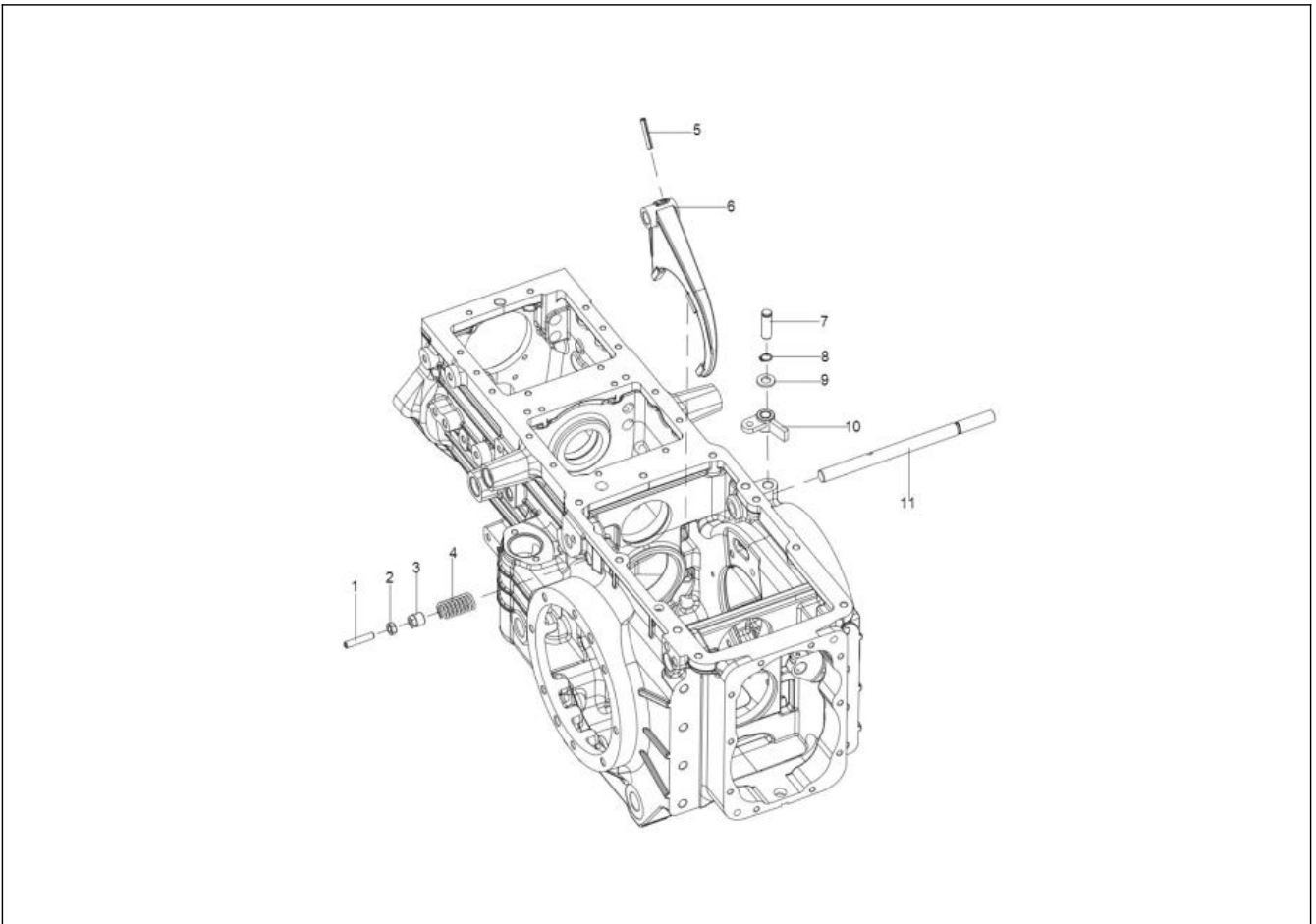
## TM-5\_4WD SUB ASSY (FRONT PTO SHAFT)



Sr.No	Part Code	Description	Qty	Int.	Cut Off	Remarks
1	10014998AA	RUBBER BOOT	2			
2	10022266AC	SLEEVE ON TRANSMISSION SHAFT	1			
3	20004300AA	SPRING COTTER SLEEVE HEAVY 8X50	2			
4	10082463AB	SHIM (SHAFT FRONT PTO 4WD)	2			USE AS REQUIRED
4	10082464AB	SHIM (SHAFT FRONT PTO 4WD)	1			USE AS REQUIRED
4	10082465AB	SHIM (SHAFT FRONT PTO 4WD)	1			USE AS REQUIRED
4	10011220AB	SHIM (SHAFT FRONT PTO 4WD)	1			USE AS REQUIRED
4	10011221AB	SHIM (SHAFT FRONT PTO 4WD)	1			USE AS REQUIRED
4	10011222AB	SHIM (SHAFT FRONT PTO 4WD)	1			USE AS REQUIRED
5	10041149AC	SHAFT FRONT PTO 4WD (PAINTED)	1			
6	10066689AA	FRONT GUARD PTO	1			
7	300188086A	REAR GUARD(FRONT PTO)	1			
8	20004935AB	PLAIN WASHER DIA 8.4 *DIA 17*1.6	4			
9	20005559AA	HEX HEAD SCREW M8X1.25X16 -8.8 SA4GS	4			
10	10086095AA	RUBBER BOOT	2			
11	10080820AC	SLEEVE FOR FRONT PTO SHAFT	1			
12	10065550AF	10065549AA_WASHER FOR SLEEVE_IPART_4WD_ENGAGE	1			
13	10065606AE	DROP BOX HOUSING	1			
14	20003243AB	HEX SCREW M12*1.75*30	2			
15	20004940AB	M/C WASHER DIA 13*DIA 24*2.5	2			
16	20004994AB	SPRING WASHER B-16 TYPE-A IS:3063-1972	2			
17	200000503A	HEX SCREW M16X2X35 8.8 SA4GS	2			

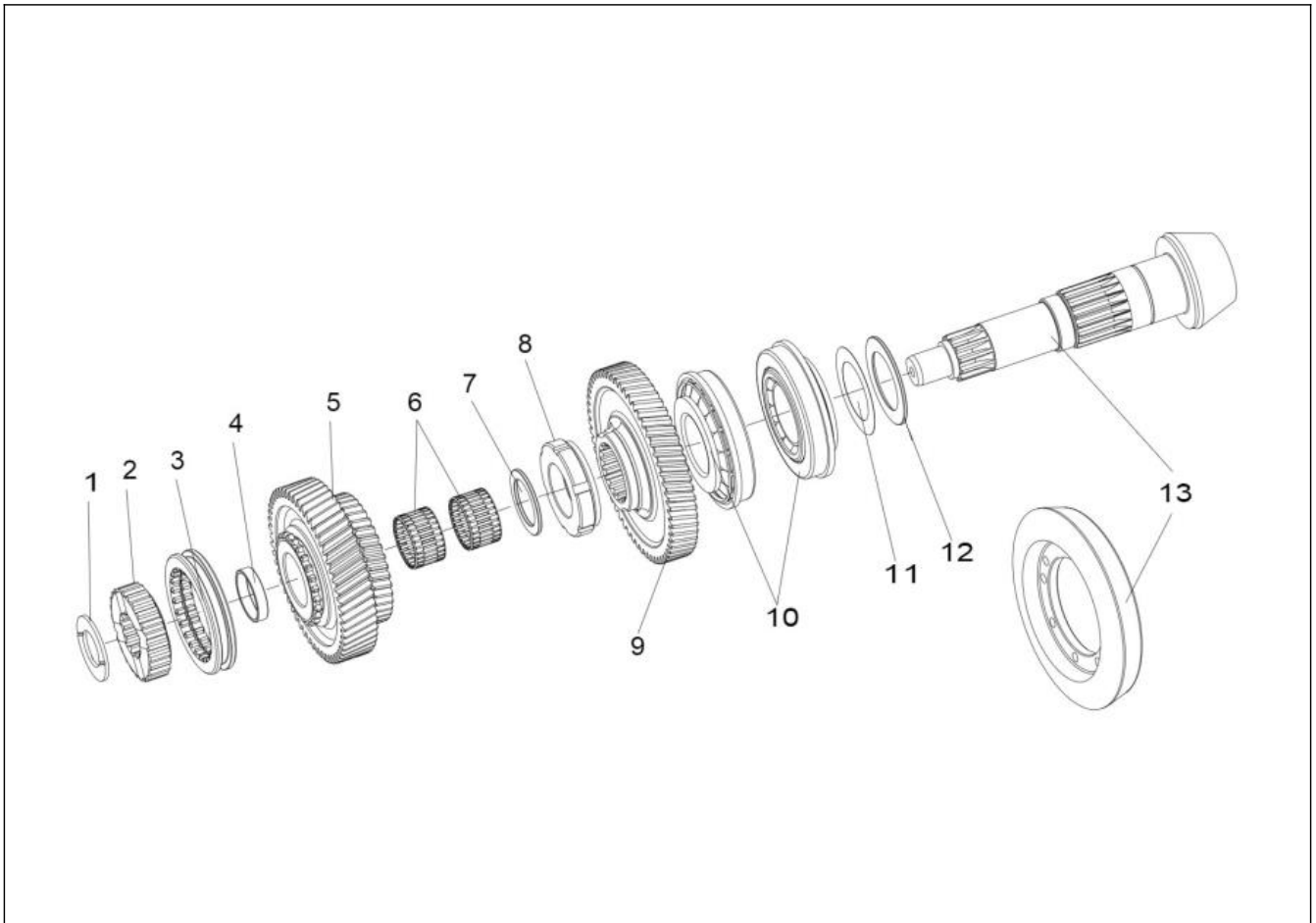


TRANSMISSION  
TM-6\_DIFFERENTIAL SUB ASSY



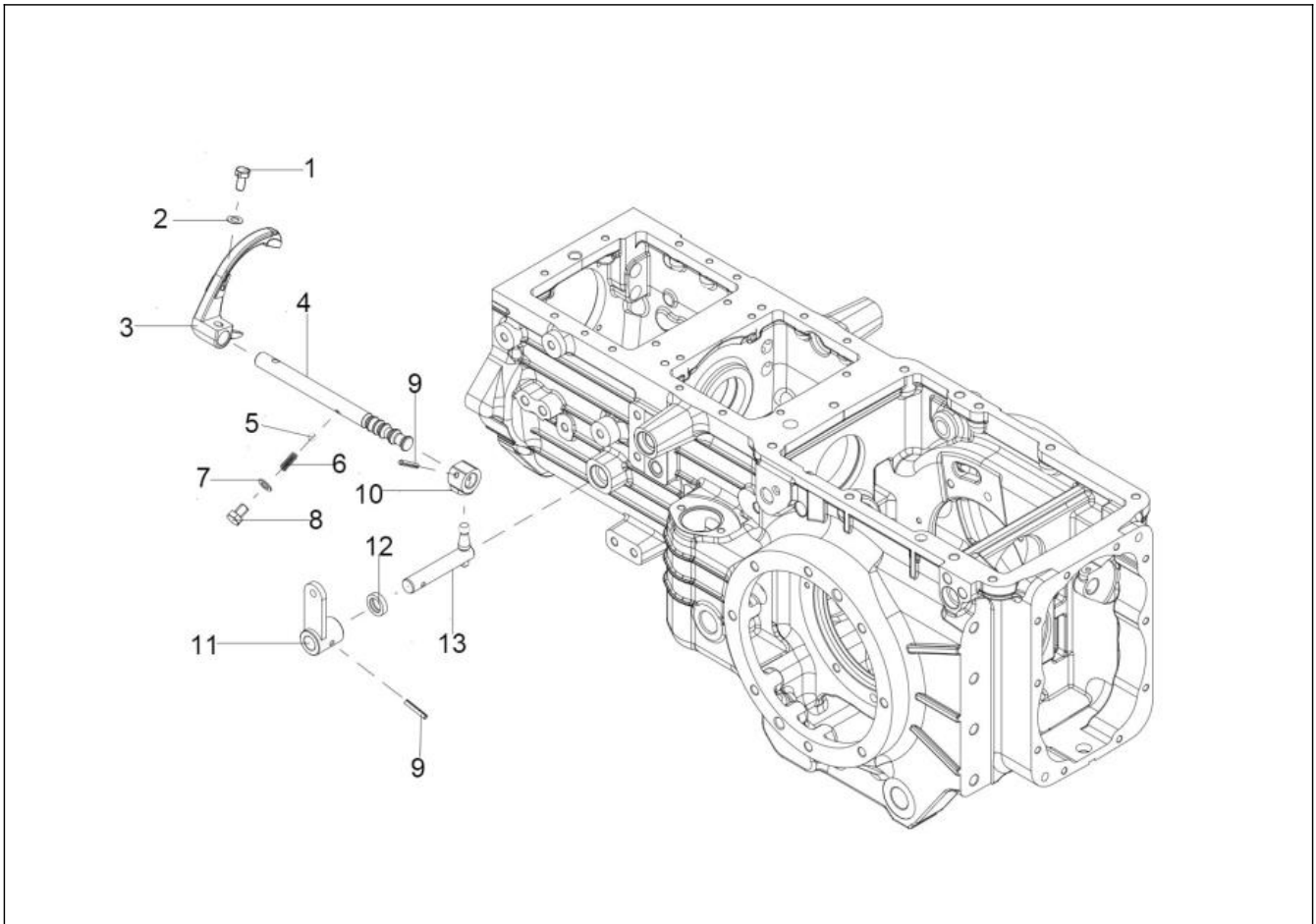
Sr.No	Part Code	Description	Qty	Int.	Cut Off	Remarks
1	10065169AB	TIE ROD FOR DIFF. LOCK M10X50	1			
2	20003357AF	HEX NUT M10 -8 SA4GS	1			
3	300034649A	PLUG DIA. 22MM	1			
4	10065167AA	SPRING FOR DIFF. LOCK	1			
5	20004300AA	SPRING COTTER SLEEVE HEAVY 8X50	1			
6	10065166AE	SHIFTER FORK FOR DIFF. LOCK	1			
7	10065136AA	DOWEL FOR DIFF. LOCK	1			
8	20003806AA	EXTERNAL CIRCLIP A-15	1			
9	10065170AA	WASHER (FOR DIFF. LOCK)	1			
10	300047562A	LEVER DIFF. LOCK ASSY.	1			
11	10065165AD	SHIFTER SHAFT FOR DIFF. LOCK	1			

TRANSMISSION  
TM-7\_TAIL PINION SHAFT



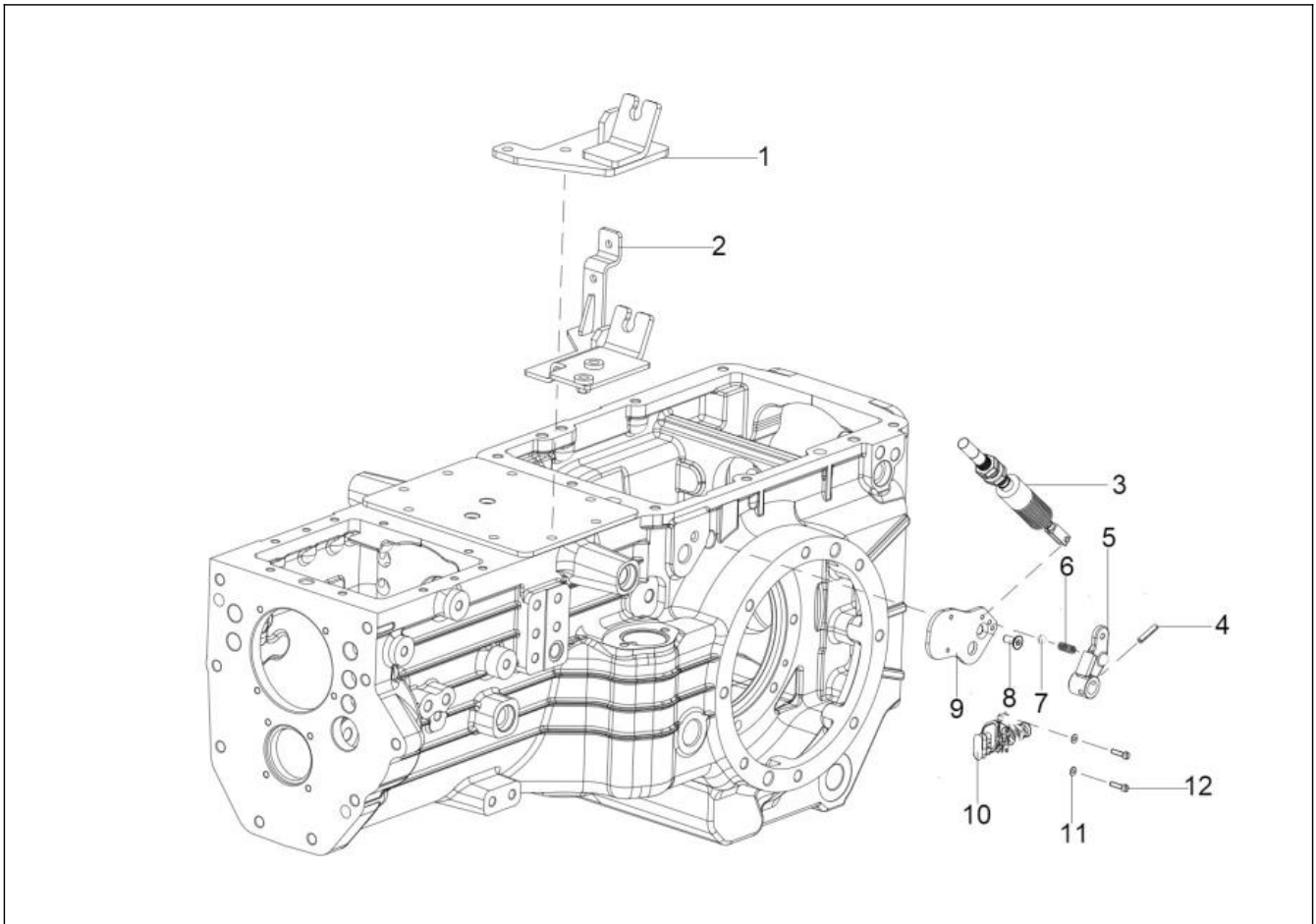
Sr.No	Part Code	Description	Qty	Int.	Cut Off	Remarks
1	10065065AC	COPPER WASHER	1			
2	10065086AD	HUB FOR TAIL PINION	1			
3	10066657AB	SHIFTER SLEEVE HI-MED	1			
4	10065084AA	SPACER 2ND FOR TAIL PINION SHAFT	1			
5	10066877AA	GEAR Z-55-40 FOR 60HP	1			
6	20004339AA	NEEDLE CAGE (40X45X27)	2			
7	300008863A	SPACER TAIL PINION (THICKNESS=3.7)	1			
7	300009029A	SPACER TAIL PINION (THICKNESS=3.4)	1			
8	10065082AD	LOCKING NUT FOR TAIL PINION	1			
9	10065010AE	GEAR TAIL PINION Z-54	1			
9	10066511AC	GEAR TAIL PINION Z-53	1			INTERCHANGABLE WITH 10065010AE
10	20003865AB	TRB 31310 M	2			
11	10066303AC	SHIM 75X50X0.15 (TAIL PINION)	1			
12	10065081AB	SPACER 1ST FOR TAIL PINION 2.8MM	1			USE AS REQUIRED
12	10066266AB	SPACER 1ST FOR TAIL PINION 2.5MM	1			USE AS REQUIRED
12	10066270AB	SPACER 1ST FOR TAIL PINION 3.0MM	2			USE AS REQUIRED
12	10066302AB	SPACER 1ST FOR TAIL PINION 2.3MM	1			USE AS REQUIRED
13	10069154AA	CROWN WHEEL & TAIL PINION SET FOR 60HP	1			

TRANSMISSION  
TM-8\_REVERSE SHIFTER ASSY (SHUTTLE)



Sr.No	Part Code	Description	Qty	Int.	Cut Off	Remarks
1	10065129AF	LOCKING SCREW FOR FORK	1			
2	10065190AC	WASHER FOR LOCKING SCREW	1			
3	10065198AD	SHIFTER FORK SHUTTLE	1			
4	10065201AF	GEAR SHIFTER ROD FOR SHUTTLE	1			
5	20003879AA	STEEL BALL DIA 9.525	1			
6	10069287AA	SPRING FOR STEEL BALL	1			
7	10065121AB	SEALING WASHER	1			
8	300031855A	HEX HEAD SCREW M12X1.75X16	1			
9	20005030AA	SPRING COTTER SLEEVE 6X36 HEAVY DUTY DIN	2			
10	10065200AC	BUSH FOR SHUTTLE ASSY	1			
11	300178164B	LOWER HUB ASSY FOR FWD REV	1			
12	300229314A	SEAL 20X30X7	1			
13	10065203AE	LEVER ASSY. FOR SHUTTLE	1			

TRANSMISSION  
TM-9\_PTO LEVER ASSY

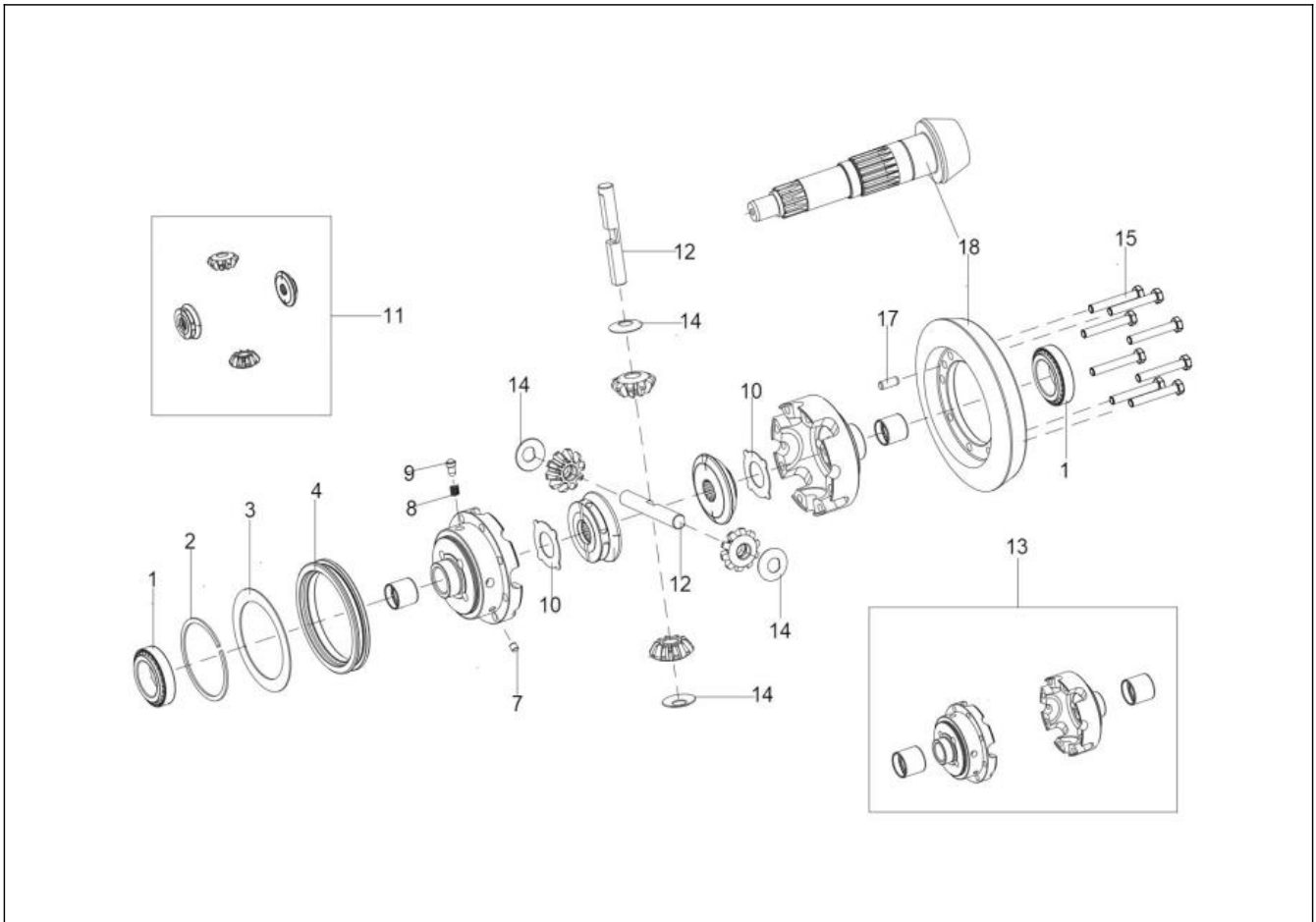


Sr.No	Part Code	Description	Qty	Int.	Cut Off	Remarks
1	300178311A	PTO WIRE MTG BKT LOWER ASSY NON DATB	1			
2	300172750B	PTO WIRE MTG BKT LOWER ASSY FOR DATB	1			
3	300181241C	PULL PUSH CABLE ASSY FOR PTO SOLIS60	1			
4	10084523AA	SPRING COTTER SLEEVE(DIA 6X30) DIN-148	1			
5	300179340A	PTO_LEVER_HUB(300435019)	1			
6	10065422AC	COMPRESSION SPRING	1			
7	20003879AA	STEEL BALL DIA 9.525	1			
8	20004282AB	M8X20 SOCKET COUNTERSUNK HEAD SCREW AS DIN 7991(CLASS 10.9)	1			
9	300347681A	GUIDE PLATE FOR PLUNGER SWITCH	1			
10	10096555AA	BRAKE LIGHT SWITCH WITH NC-NO CONTACT	1			
11	300028454A	PUNCHED WASHER 4.5 X 9 X 0.8	2			
12	20005684AA	SLOTTED CHEESE HEAD SCREW M4*20	2			



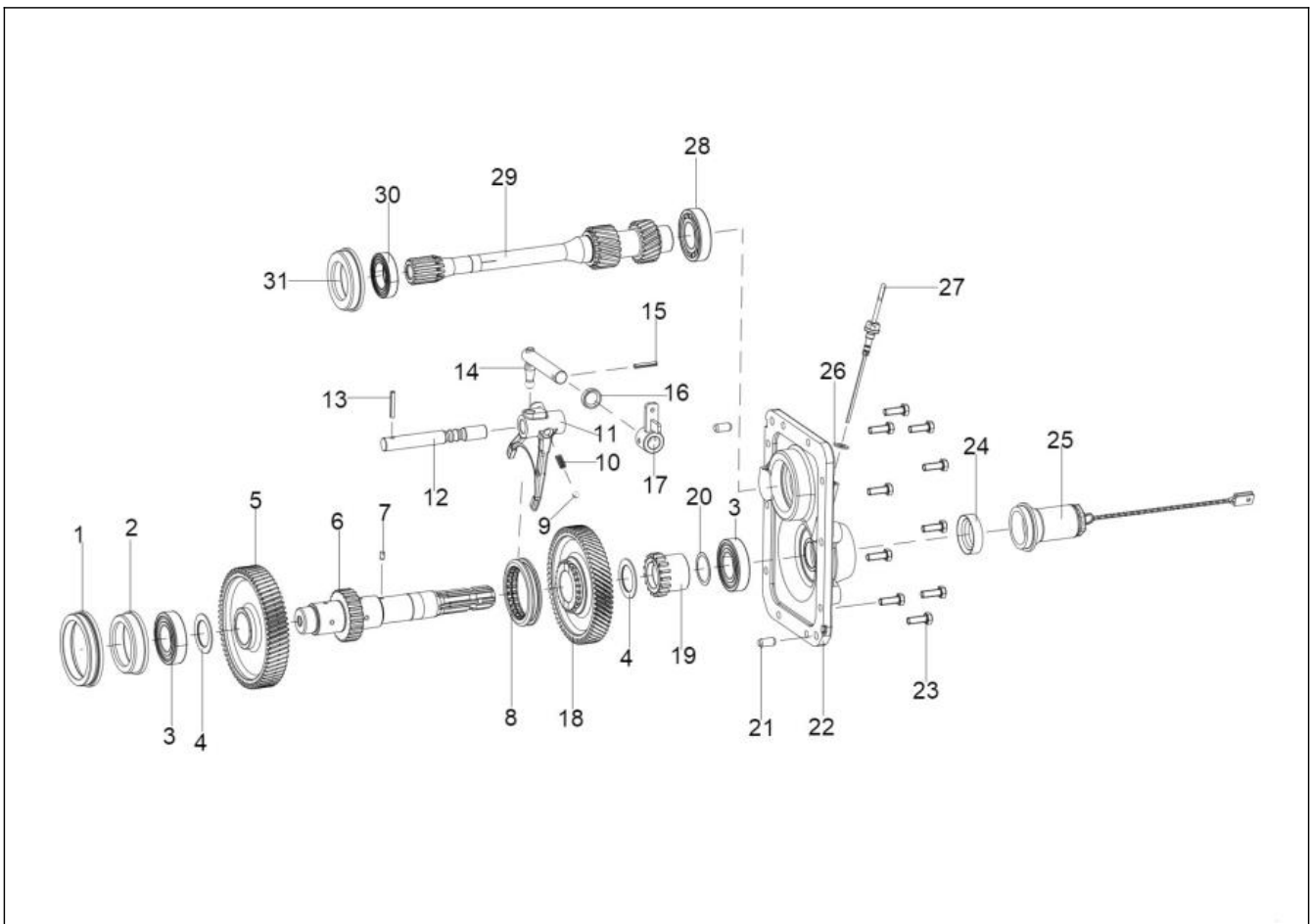
## TRANSMISSION

## TM-10\_DIFFERENTIAL CAGE SUB ASSY



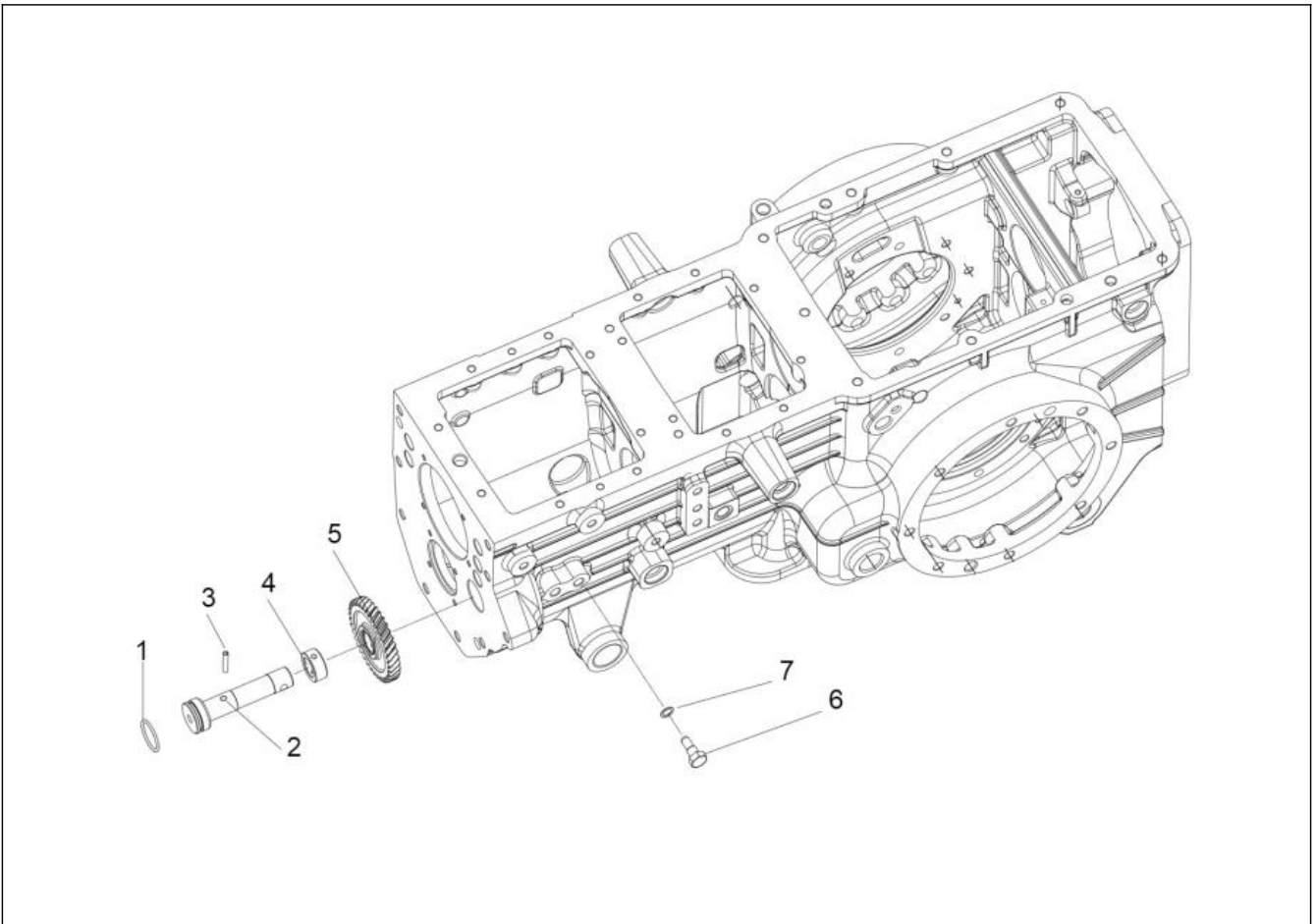
Sr.No	Part Code	Description	Qty	Int.	Cut Off	Remarks
1	20003870AA	TRB 32011X	2			
2	10065022AA	RING FOR CAGE	1			
3	10065021AB	FLANGE	1			
4	10065028AD	SLEEVE FOR DIFF LOCK	1			
7	10065027AA	DOWEL PIN	1			
8	10065026AA	SPRING FOR CAGE	1			
9	10065025AB	DOWEL	1			
10	10065019AB	WASHER FOR SUN GEAR	2			
11	10066723AA	SPIDER KIT SET (10X18) FOR MST	1			
12	10065020AD	ROD FOR CROSS	2			
13	300046155B	CAGE ASSY	1			
14	10065018AB	WASHER FOR PLANET GEAR	4			
15	10065759AA	HEX BOLT M12*1.75*80	8			
17	10065605AA	DOWEL FOR CROWN WHEEL	1			
18	10069154AA	CROWN WHEEL & TAIL PINION SET FOR 60HP	1			

TRANSMISSION  
TM-11\_DUAL PTO ASSY



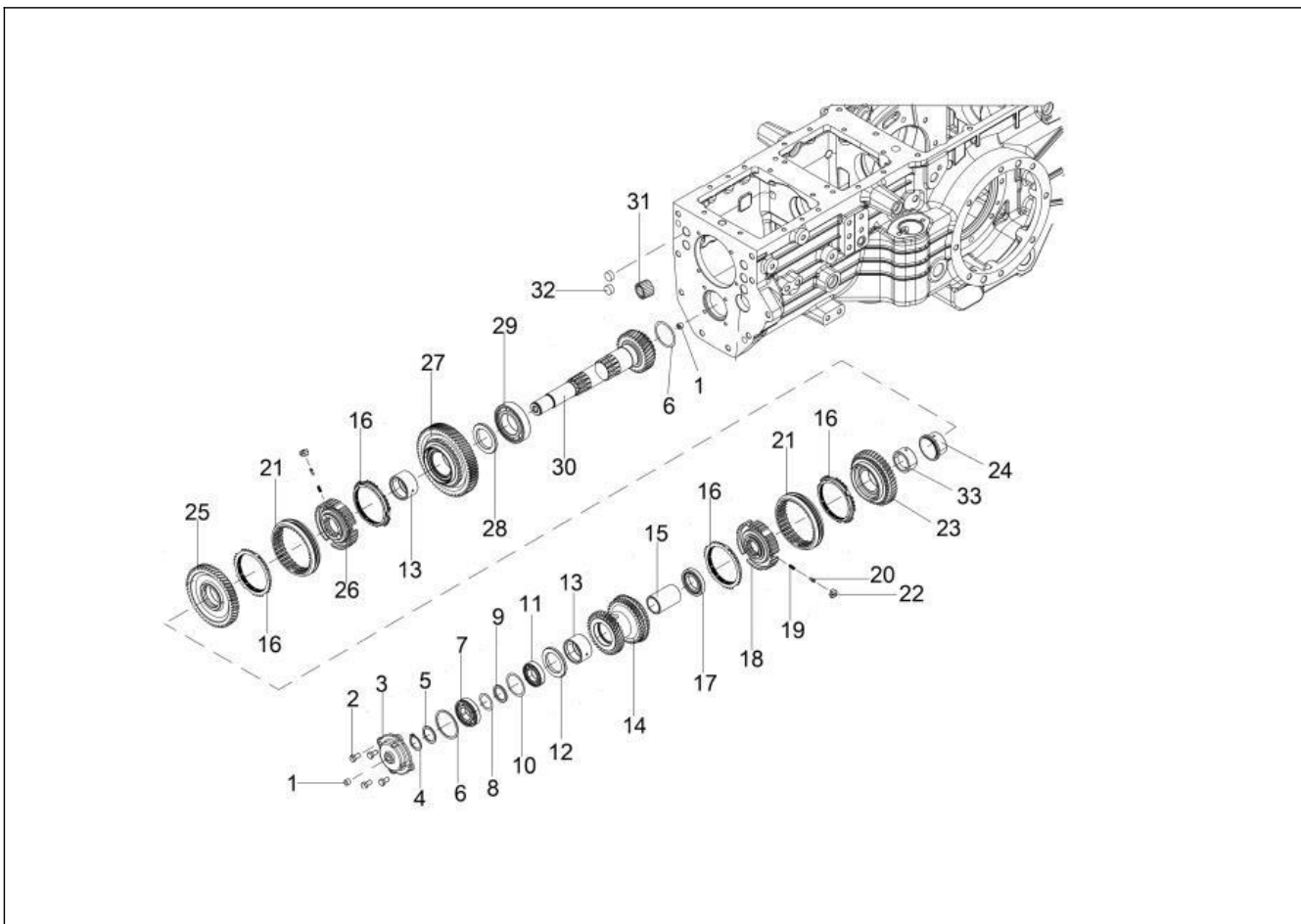
Sr.No	Part Code	Description	Qty	Int.	Cut Off	Remarks
1	10065091AB	SUPPORT TRB	1			
2	10065055AB	SUPPORT	1			
3	20004516AA	BALL BEARING 6208 2RS1	2			
4	10065054AB	WASHER DUAL PTO	2			
5	10041163AA	GEAR PTO Z-67 (FINISH)	1			
6	10065053AF	PTO SHAFT	1			
7	10065108AA	DOWEL FOR PLANET GEAR	1			
8	10065085AC	SLEEVE DUAL PTO	1			
9	20003879AA	STEEL BALL DIA 9.525	1			
10	10065208AB	SPRING FOR PTO	1			
11	10065207AF	FORK FOR PTO	1			
12	10065209AD	SHITER ROD PTO	1			
13	20004020AA	SPRING PIN (HEAVY DUTY) DIN-1481, ISO-8752, BN- 876(D6X40)	1			
14	10065206AE	LEVER ASSY FOR PTO	1			
15	20005030AA	SPRING COTTER SLEEVE 6X36 HEAVY DUTY DIN	1			
16	300229314A	SEAL 20X30X7	1			
17	300175869A	HUB 540/540E ASSY	1			
18	10041156AA	GEAR PTO Z-64 (FINISH)	1			
19	300005230B	SPACER DUAL PTO FOR SENSOR	1			
20	10066121AC	SHIM 0.15MM FOR BEARING 6208	1			
21	10006458AA	DOWEL PIN (FOR G.B.HSG & BELL HSG)	2			
22	10065057BD	BEARING HOLDER PLATE (FINISH)	1			
23	20005562AA	HEX HEAD SCREW M10X1.5X30 -8.8 SA4GS	10			
24	300229311A	SEAL 40X60X18.5	1			
25	10065059AA	PTO GUARD COVER	1			
26	10065727AC	O-RING &#165;15.2X &#165;2.8	1			
27	10069255AC	DIPSTICK ASSY	1			
28	20003867AA	CYL ROLLER BEARING NJ 208	1			
29	300046150A	BUSH AND CONNECTING SHAFT ASSY	1			
30	20003843AA	BALL BEARING 6008 2RS	1			
31	10069130AC	SUPPORT BEARING PTO &#165;90	1			

TRANSMISSION  
TM-12\_REVERSE GEAR SUB ASSY



Sr.No	Part Code	Description	Qty	Int.	Cut Off	Remarks
1	10065761AB	O-RING FOR IDLER SHAFT	1			
2	10069155AA	IDLER SHAFT FOR 60HP	1			
3	20005030AA	SPRING COTTER SLEEVE 6X36 HEAVY DUTY DIN	1			
4	10065113AD	SPACER FOR IDLER GEAR	1			
5	300170209B	IDLER GEAR SUB ASSY Z-37	1			
6	300034647A	SPECIAL BOLT (IDLER SHAFT) M12*1.75*30	1			
7	10065114AA	WASHER COPPER	1			

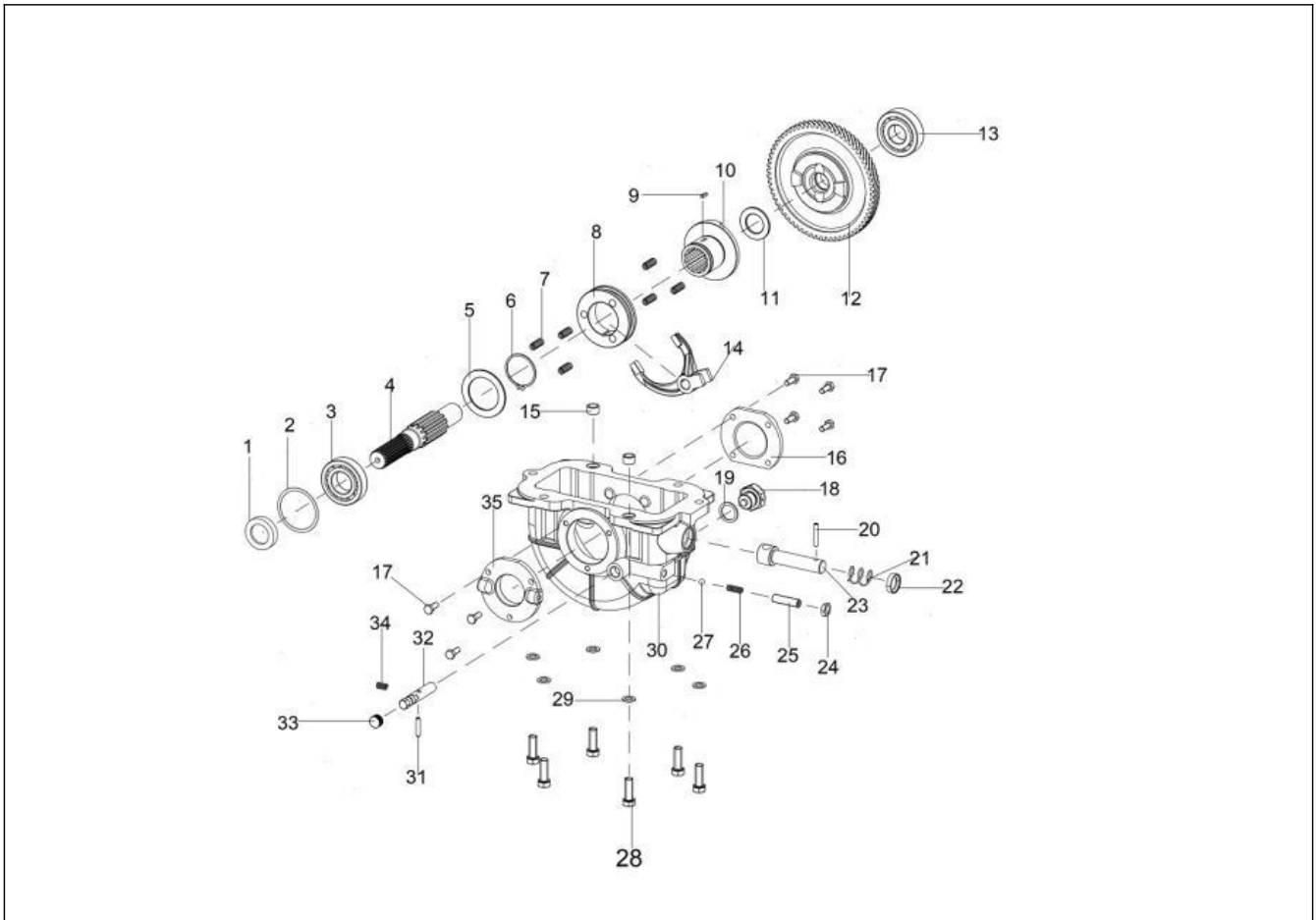
TRANSMISSION  
 TM-13\_LAY SHAFT ASSY



Sr.No	Part Code	Description	Qty	Int.	Cut Off	Remarks
1	10065185AD	SEALING PLUG DIA.12 FOR COVER LAY SHAFT	2			
2	20005559AA	HEX HEAD SCREW M8X1.25X16 -8.8 SA4GS	4			
3	10069141AA	COVER BEARING HOUSING LAY SHAFT FOR 60HP	1			
4	20003856AA	CIRCLIP A-30 HEAVY DUTY (FOR LAY SHAFT)	1			
5	10065452AB	SPACER LAY SHAFT	1			
6	10066341AC	SHIM FOR SHUTTLE GEAR 0.15MM	1			USE AS REQUIRED
7	20004846AA	NBC BEARING 6206 NC3	2			
8	10065494AC	SHIM LAY SHAFT 0.2 MM	1			
8	10065495AC	SHIM LAY SHAFT 0.15 MM	1			
8	10065496AC	SHIM LAY SHAFT 0.1 MM	1			
9	300000678A	SPACER LAY SHAFT (THICKNESS=4MM)	1			
10	10040587AA	SHIM 48X54X0.1	1			
11	20004853AA	BALL BEARING NBC 6006	1			USE AS REQUIRED
12	10066389AB	SHIM FOR SHUTTLE GEAR 0.15MM	2			
13	10065069AI	BUSH FOR 1ST GEAR	2			
14	300167845A	GEAR SHUTTLE Z-36/35 (FINISH NO)	1			
15	10066905BA	SPACER FOR LAY SHAFT 2ND	1			
16	10065067AC	SYNCHRO CONE FOR 1/2/3/4	4			
17	20004852AA	NBC 16007	1			
18	10065070AE	HUB FOR 3RD-4TH GEAR	1			
19	10065422AC	COMPRESSION SPRING	2			
20	10065079AG	BALL FOR SHUTTLE	2			
21	10065080AE	SLEEVE FOR HUB(1ST/2ND/3RD/4TH SHUTTLE)	2			
22	10065078AF	STRUT (1/2/3/4/SHUTTLE)	2			
23	300031797A	3RD GEAR - LAY SHAFT Z-45	1			
24	300190652A	BUSH FOR 2ND GEAR	1			
25	10040640AB	SUB ASSY 2ND GEAR	1			
26	10065068AE	SYNCHRO HUB 1ST & 2ND	1			
27	10069535AB	SUB ASSY 1ST GEAR	1			
28	10065064AB	SPACER 1ST FOR LAY SHAFT	1			
29	20004518AA	BALL BEARING 6210	1			
30	10069163AB	LAY SHAFT	1			
31	20004323AA	NEEDLE &#216;5X25	19			
32	300035833A	CAP FOR TRANSMISSION HSG	5			
33	300190766B	BUSH FOR 3RD GEAR	1			

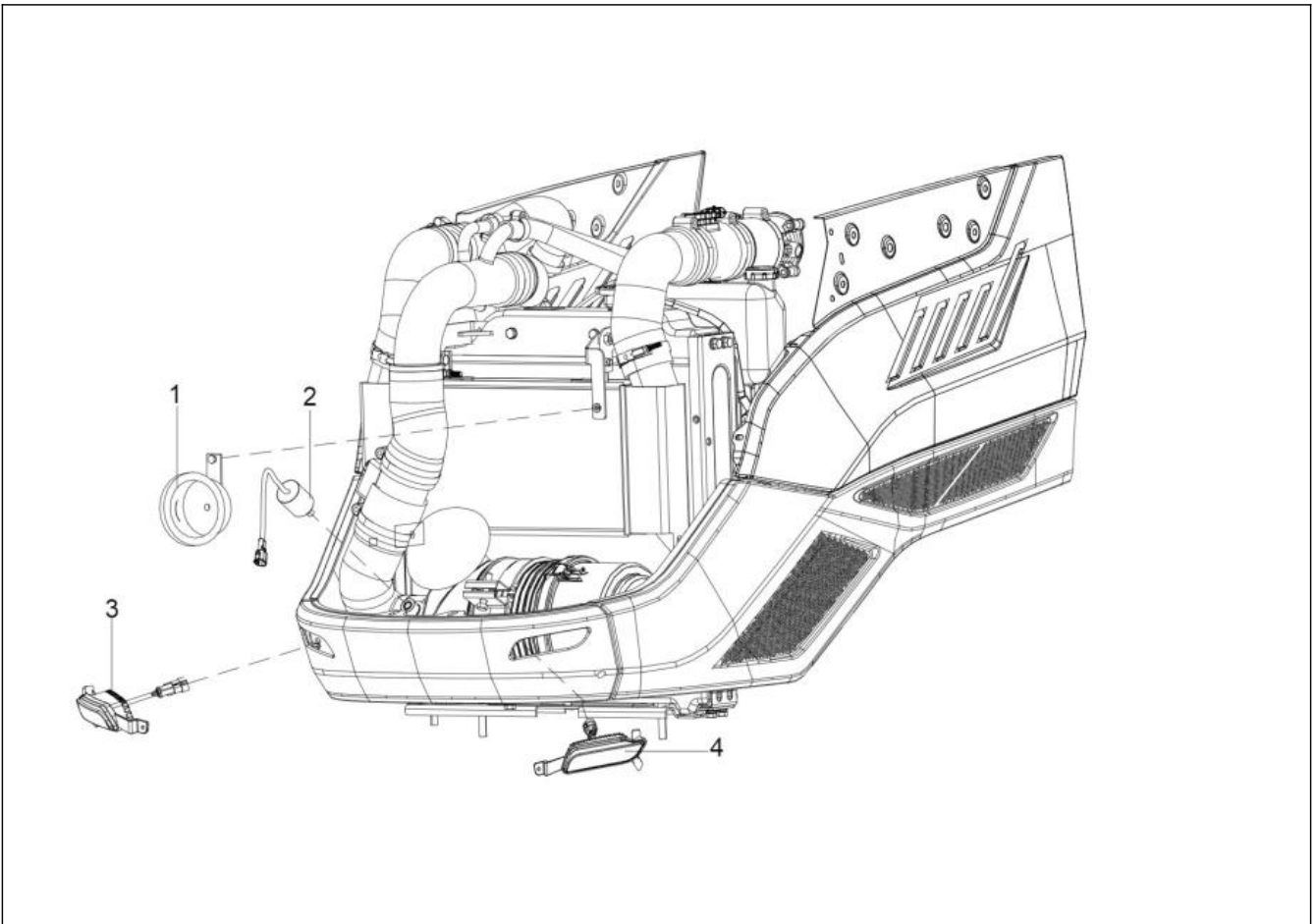


TRANSMISSION  
TM-14\_DROP BOX SUB ASSY



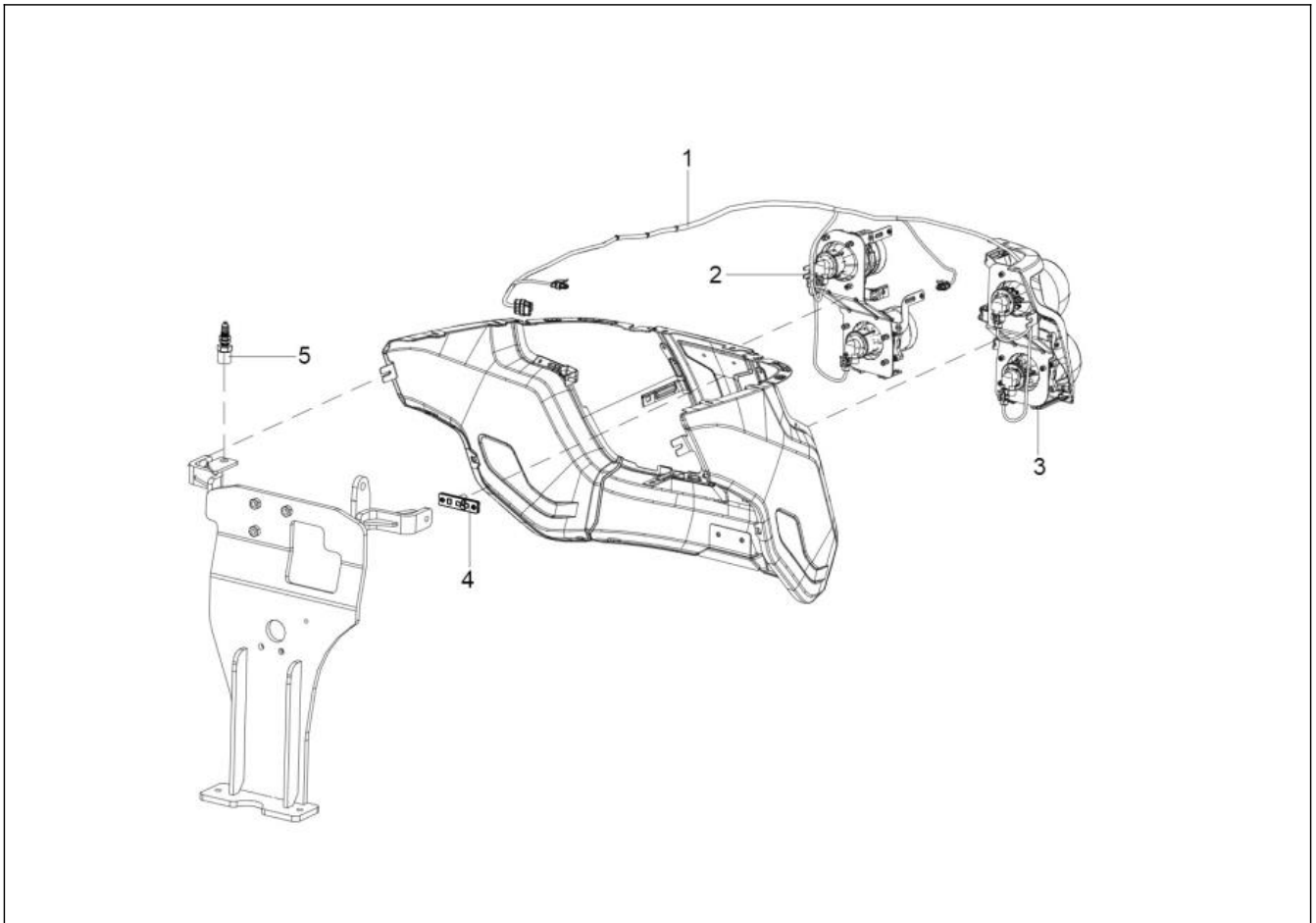
Sr.No	Part Code	Description	Qty	Int.	Cut Off	Remarks
1	300229312B	SEAL 32*50*14	1			
2	10066470AA	SHIMS (0.15)	1			AS REQUIRED
2	10066471AB	SHIMS (0.2)	1			AS REQUIRED
3	20004517AA	BALL BEARING 6207	1			
4	10065550AF	10065549AA_WASHER FOR SLEEVE_IPART_4WD_ENGAGE	1			
5	10065549AA	WASHER FOR SLEEVE	1			
6	20004160AA	EXTERNAL CIRCLIP A-52	1			
7	10065609AA	SPRING	6			
8	10065583AB	SHIFTER SLEEVE 4WD	1			
9	20004278AA	WOODRUFF KEY 4*4*15 (IS: 2710-1975)	1			
10	10065556AD	SHAFT CARRIER	1			
11	10065548AE	WASHER FOR GEAR	1			
12	10069435AB	BALL BEARING 6306	1			
13	04000130072	DEEP GROOVE BALL BEARING 6306	1			
14	10065562AF	FORK (4WD)	1			
15	10024347AA	CENTERING GUIDE	2			
16	10065577AC	COVER (RIGHT)	1			
17	20005565AA	HEX HEAD SCREW M8X1.25X20 -8.8 SA4GS	7			
18	10038288AB	DRAIN PLUG ASSY	1			
19	04030224032	SEALING WASHER	1			
20	20005030AA	SPRING COTTER SLEEVE 6X36 HEAVY DUTY DIN	1			
21	10065719AC	SPRING FOR LEVER ASSY.	1			
22	300229314A	SEAL 20X30X7	1			
23	10065594AE	PIN ASSY.	1			
24	20005579AA	HEX LOCK NUT M12 SA4GS	1			
25	20004657AA	SOCKET SET SCREW M12X45 DIN 913	2			
26	10065722AD	SPRING	1			
27	04001400008	STEEL BALL 5/16"	1			INTERCHANGEABLE WITH 20005068AA (ROHS)
27	20005068AA	STEEL BALL 5/16"	1			
28	20003244AB	HEX SCREW M12*1.75*35	6			
29	20004993AB	SPRING WASHER B-12TYPE-A IS:3063-1972	6			
30	10065606AE	DROP BOX HOUSING	1			
31	20005032AA	SPRING COTTER SLEEVE 6X30 HEAVY DUTY DIN 1481 ISO 8752 BN 876	1			
32	10065546AE	ROD	1			
33	20004107AA	TAPER PLUG M18X1.5	1			
34	10065723AB	SPRING	1			
35	10065580AD	COVER	1			

ELECTRICALS  
EL-1\_ELECTRICAL ROPS



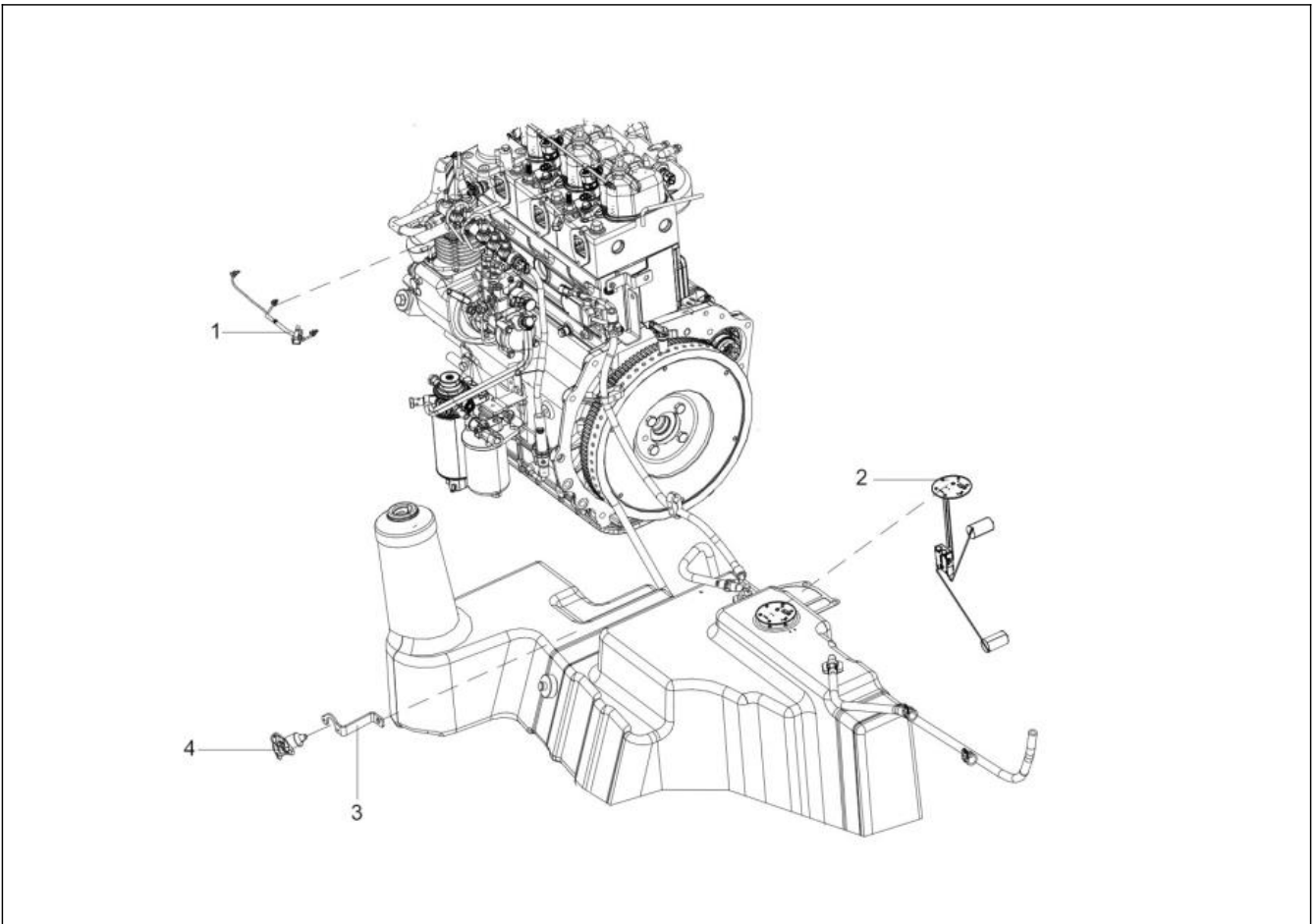
Sr.No	Part Code	Description	Qty	Int.	Cut Off	Remarks
1	10055476AA	HORN (E-MARK)	1			
2	20001508AF	CLOGGING SENSOR	1			
3	300187571C	FRONT WORK LED LIGHT RH-3CYL	1			
4	300187572C	FRONT WORK LED LIGHT LH-3CYL	1			

ELECTRICALS  
EL-2\_ELECTRICAL ROPS



Sr.No	Part Code	Description	Qty	Int.	Cut Off	Remarks
1	300166316B	HEAD LAMP HARNESS	1			
2	10046950AC	HEAD LAMP (LHD)-LH	1			
3	10046951AC	HEAD LAMP (LHD)-RH	1			
4	300187375B	UNDERHOOD LIGHT	1			
5	300119996A	PLUNGER SWITCH NC	1			

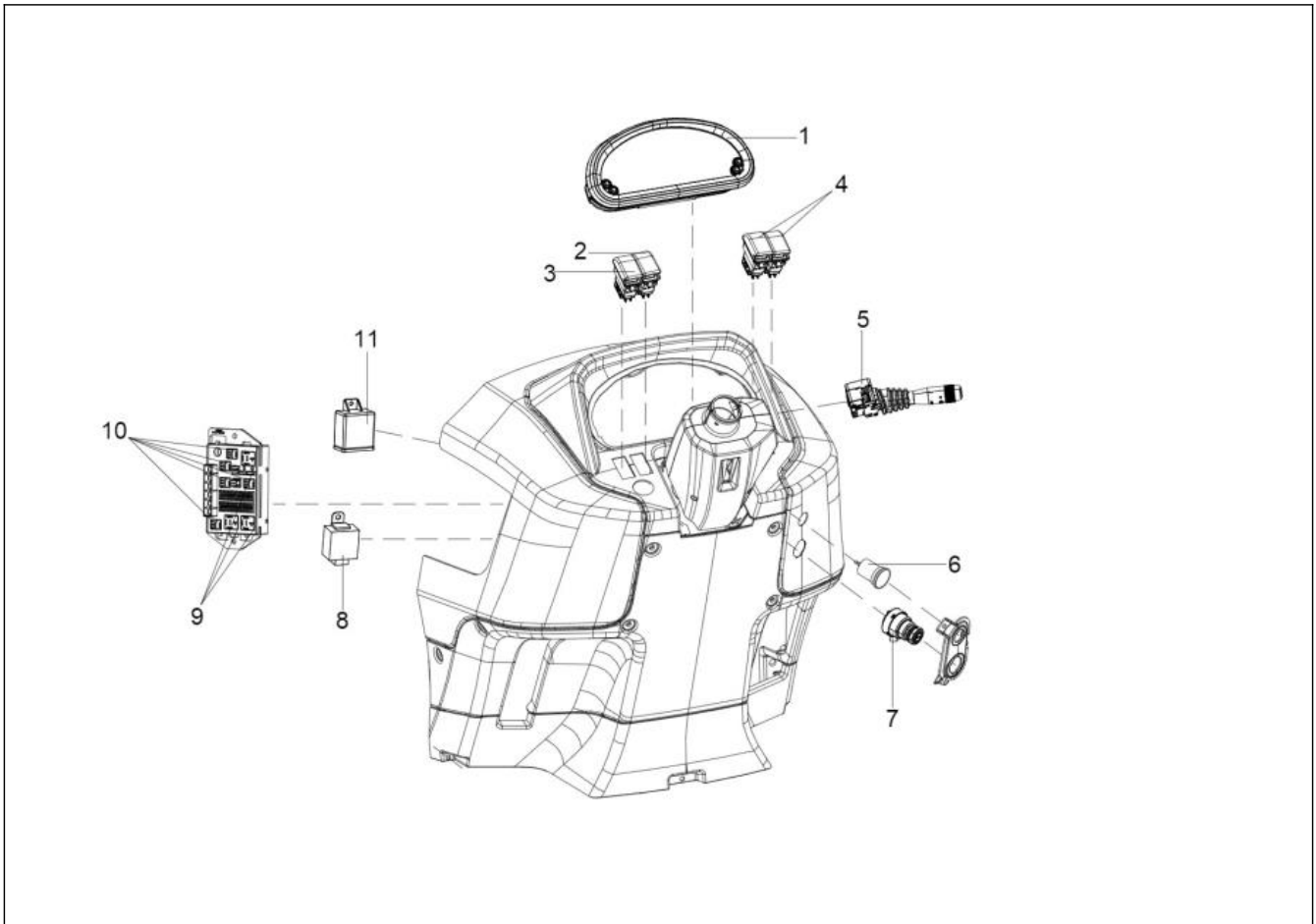
ELECTRICALS  
EL-3\_ELECTRICAL ROPS



Sr.No	Part Code	Description	Qty	Int.	Cut Off	Remarks
1	300173299B	HARNESS GLOW PLUG	1			
2	10084941AB	TANK UNIT	1			
3	300040810A	3 PIN PLUG ASSY	1			
4	300040809A	3 PIN SOCKET ASSY	1			

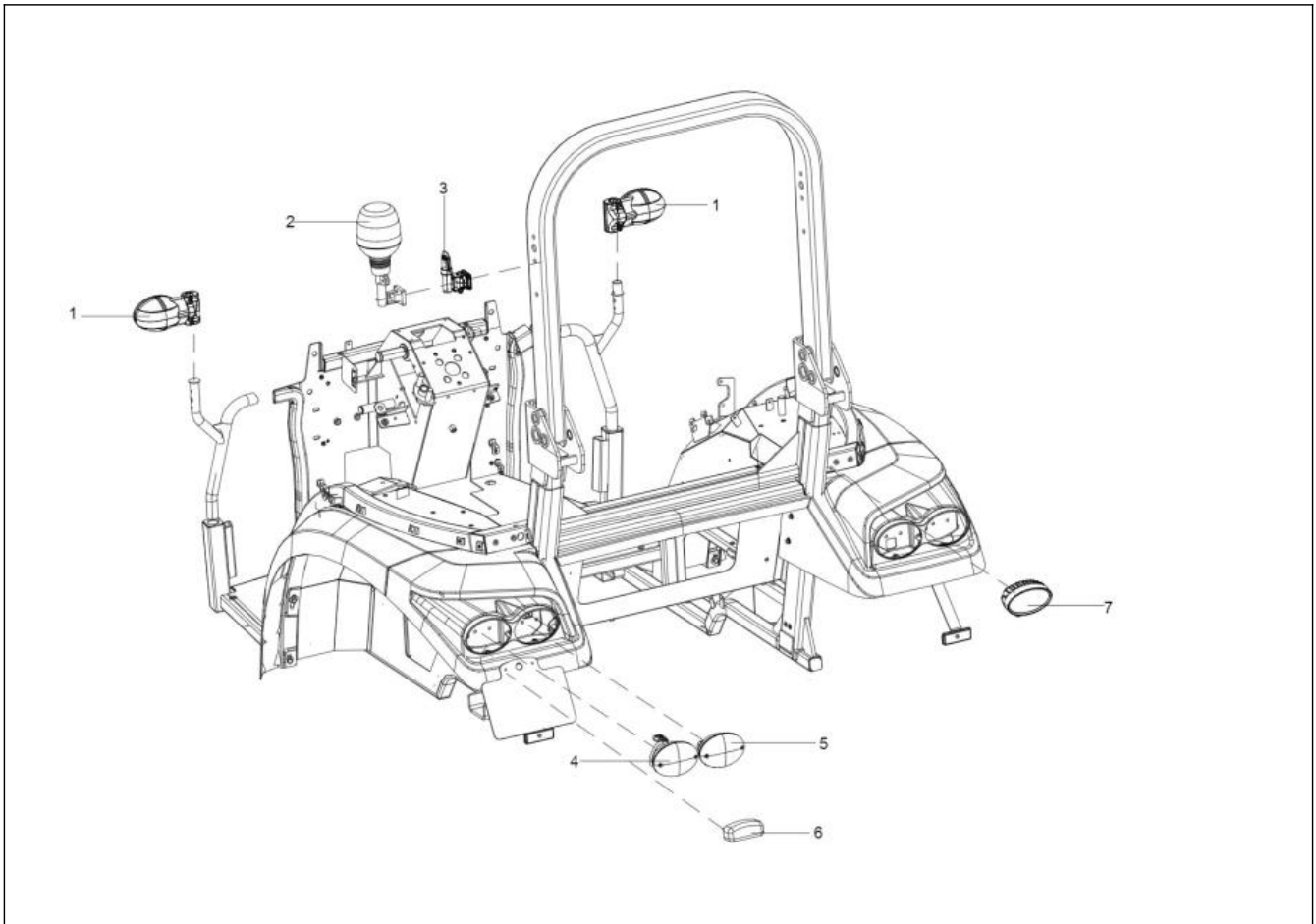


ELECTRICALS  
EL-4\_ELECTRICAL ROPS



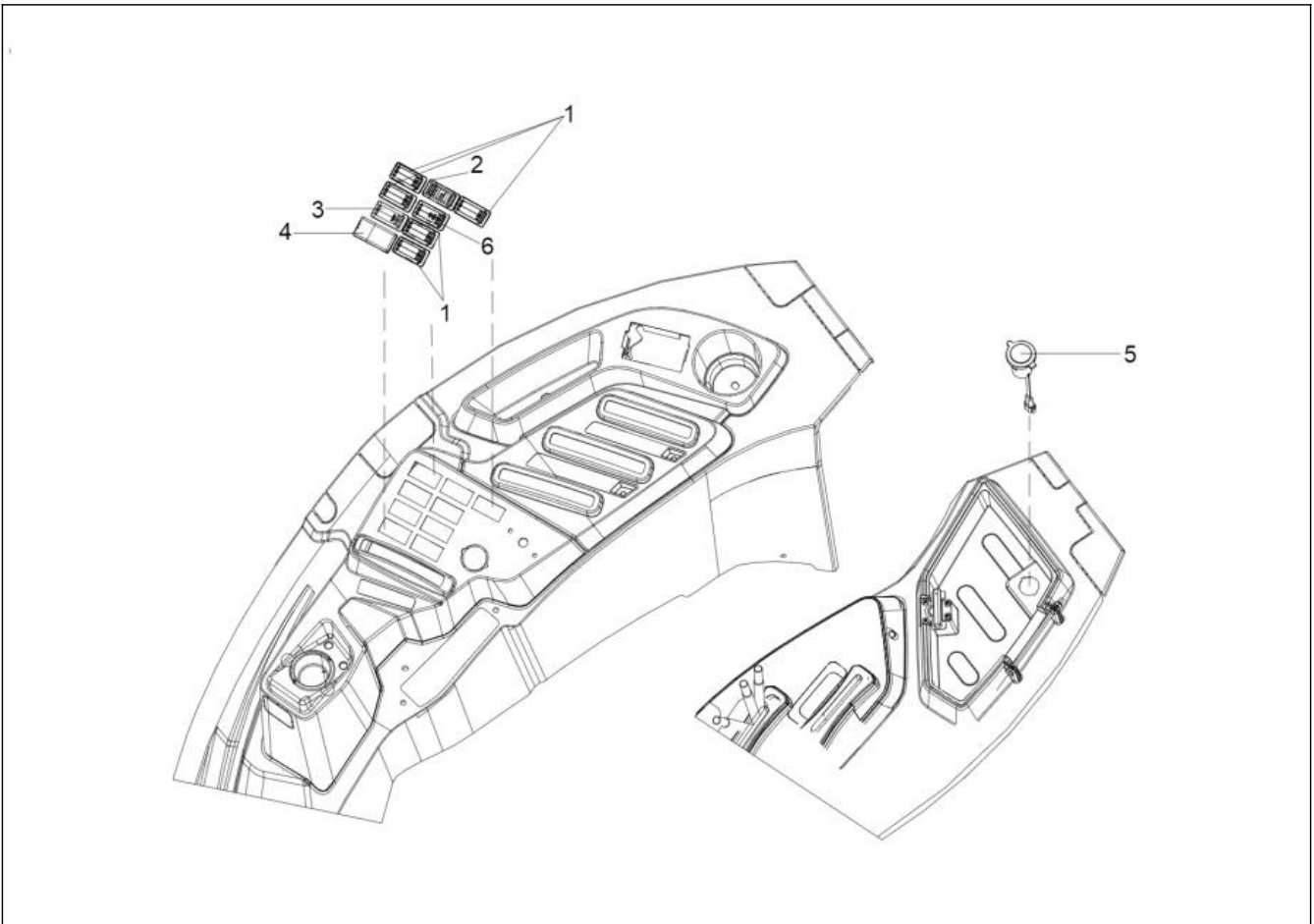
Sr.No	Part Code	Description	Qty	Int.	Cut Off	Remarks
1	300108683E	CLUSTER ASSY	1			
2	300095134C	BATTERY CUT OFF SWITCH	1			
3	300184474B	HAZARD SWITCH	1			
4	300300454A	DUMMY ROCKER SWITCH	2			
5	300236376A	COMBINATION SWITCH	1			
6	10023572AA	MOBILE CHARGER SOCKET	1			
7	10029943BD	STARTER SWITCH ASSY	1			
8	10085383AA	TRAILER WITH FLASHER	1			
9	10017954AA	MAIN RELAY-CRDI-75	3			
10	300002575A	MICRO RELAY NC-NO WITH DOIDE	5			
11	10096602AA	SAFETY CONTROLLER FOR ENGINE SHUT-OFF	1			

ELECTRICALS  
EL-5\_ELECTRICAL ROPS



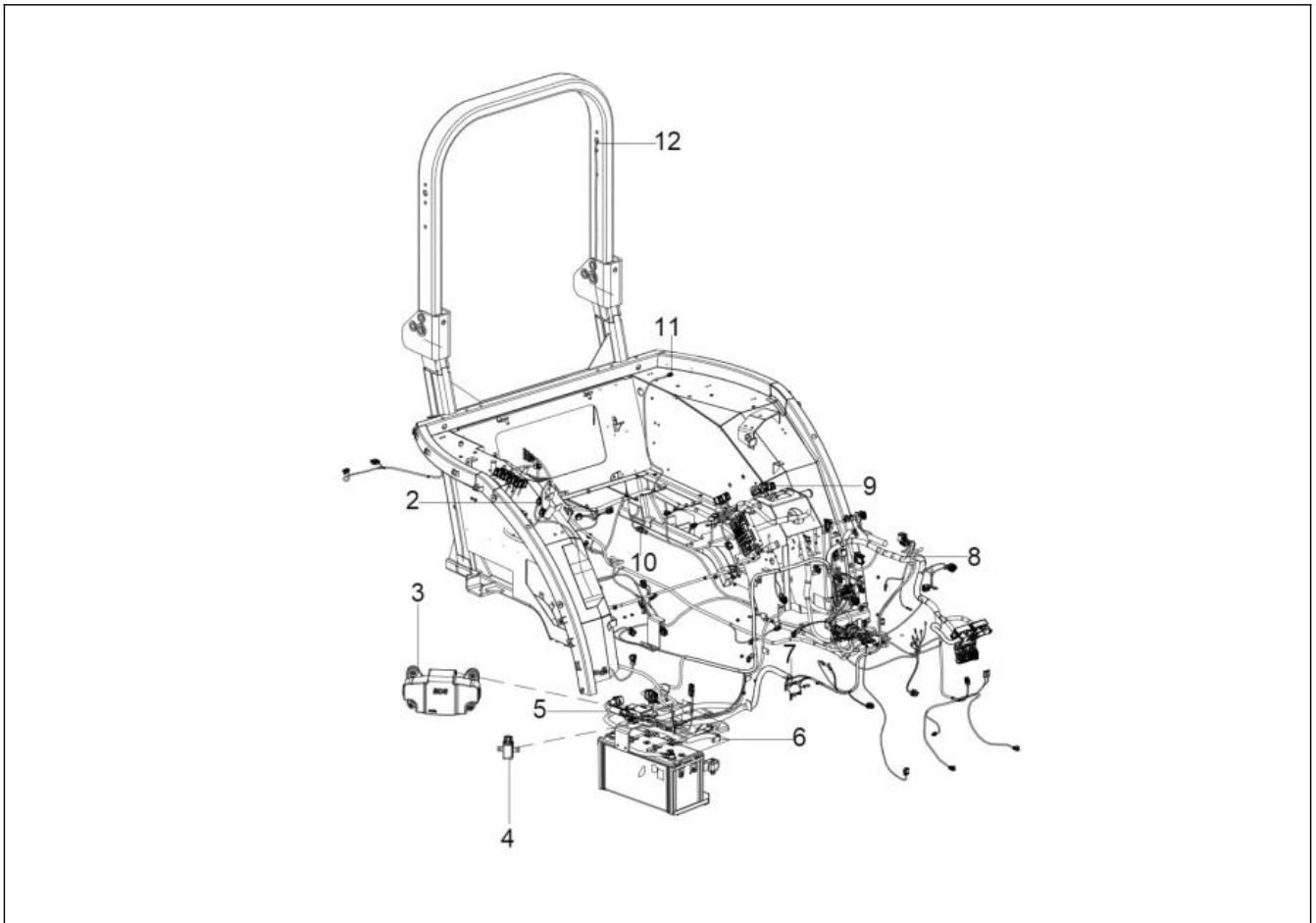
Sr.No	Part Code	Description	Qty	Int.	Cut Off	Remarks
1	10087417AC	FRONT INDICATOR LAMP	2			
2	10054276AA	REVOLVING LIGHT (DETACHABLE)	1			
3	10054277AA	MOUNTING BRACKET( DETACHABLE REVOLVING LIGHT)	1			
4	300233621B	ELLIPTICAL LAMP REAR COBO 21971	1			
5	300239396A	ELLIPTICAL LAMP INDICATOR COBO 030664	1			
6	10067783AB	LIGHT FOR REGISTRATION PLATE	1			
7	300040884A	LED WORK LAMP	1			

ELECTRICALS  
EL-6\_ELECTRICAL ROPS



Sr.No	Part Code	Description	Qty	Int.	Cut Off	Remarks
1	300300454A	DUMMY ROCKER SWITCH	5			
2	300216469A	SIGNATURE LIGHT SW VERTICAL	1			
3	300173419B	INDUCEMENT OVERRIDE SWITCH	1			
4	300095131B	DPF SWITCH STAGE V	1			
5	300073891B	USB CHARGER	1			
6	300184498B	PTO EXTERNAL CONTROL SWITCH	1			

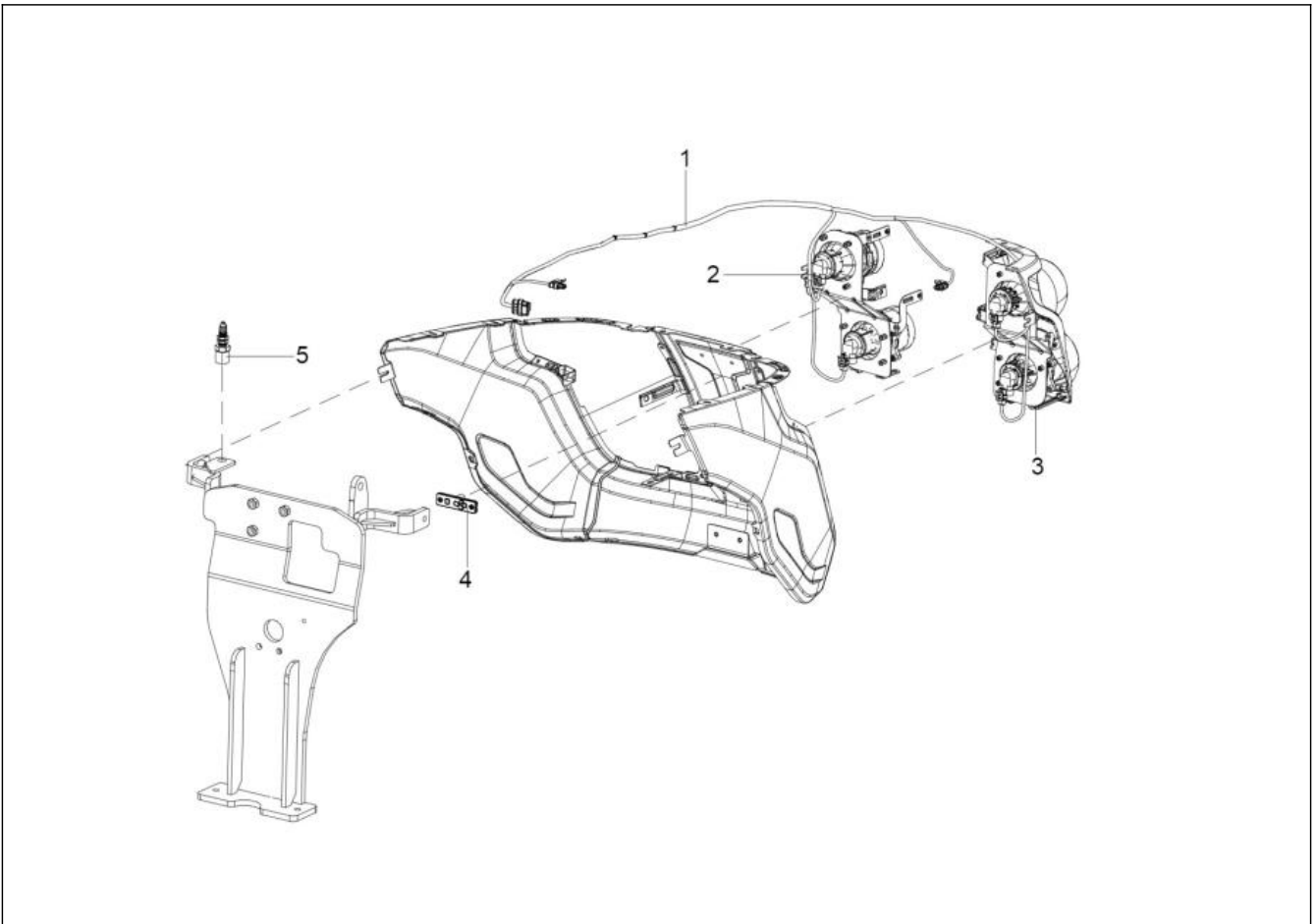
ELECTRICALS  
EL-7\_ELECTRICAL ROPS



Sr.No	Part Code	Description	Qty	Int.	Cut Off	Remarks
2	300277117A	HAND ACC PIGTAIL	1			ADDITIONAL FEATURE
3	300122403A	BDS BOX	1			
4	300142364A	HIGH CURRENT RELAY-BDS	1			
5	300166313C	BATTERY POSITIVE	1			
6	300166315B	BATTERY NEGATIVE	1			
7	300166314B	BATTERY POSITIVE TO STARTER	1			
8	300166308D	ENGINE HARNESS	1			
9	300166304D	DASHBOARD HARNESS	1			
10	300166307D	CENTER HARNESS	1			
11	300166310C	FENDER LH HARNESS	1			
12	300166312A	ROPS HARNESS	1			

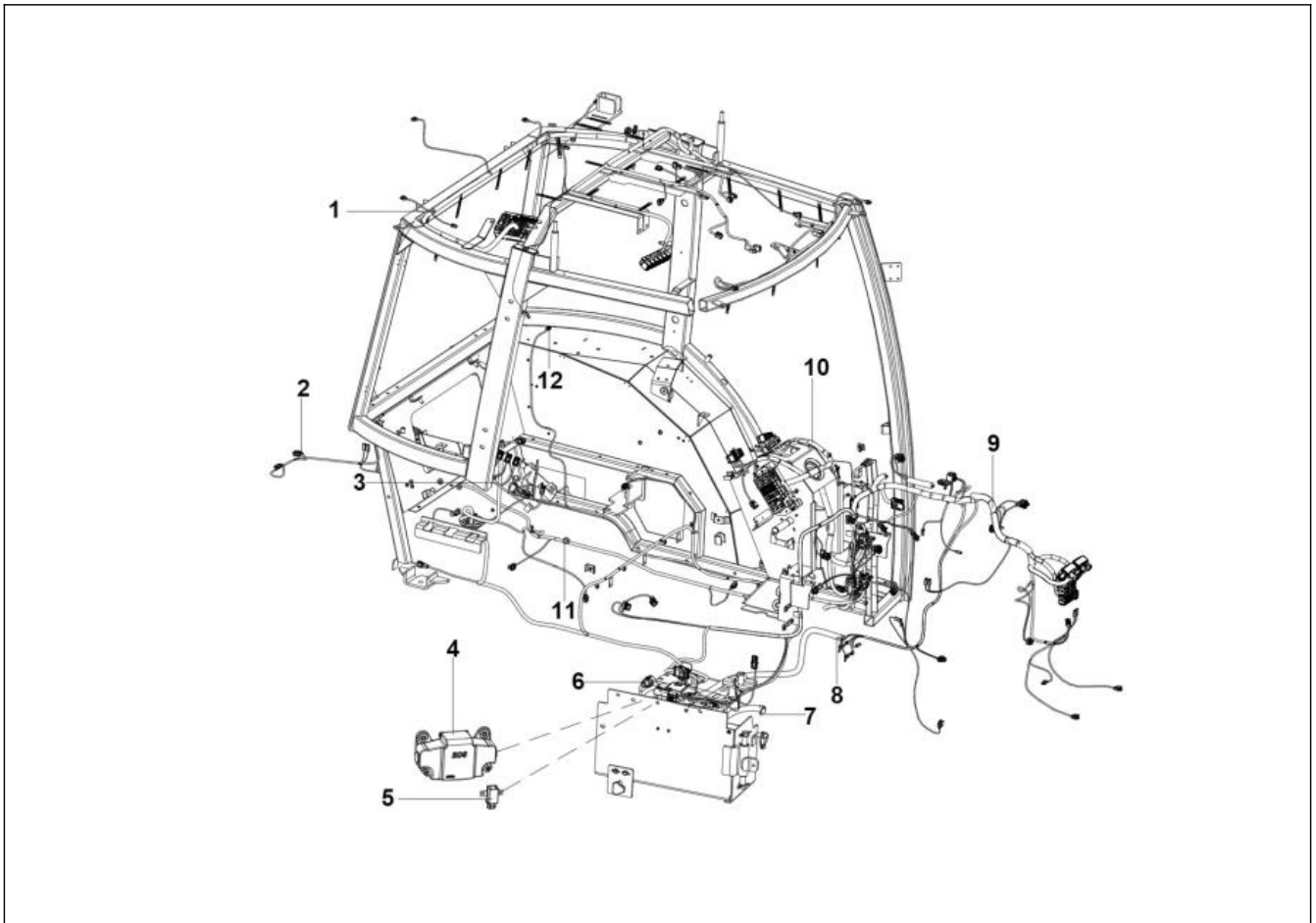


ELECTRICALS  
EL-8\_ELECTRICAL CABIN



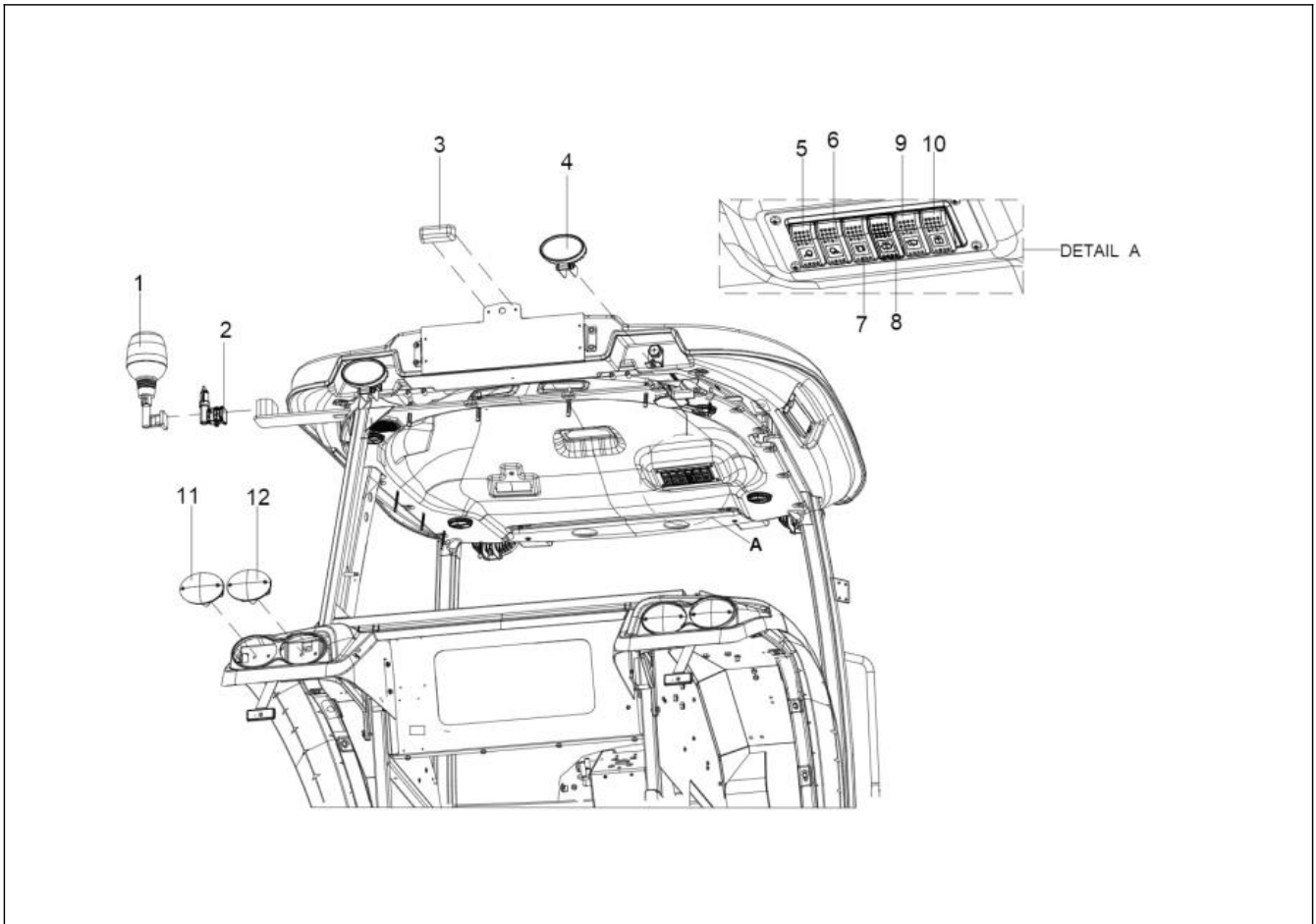
Sr.No	Part Code	Description	Qty	Int.	Cut Off	Remarks
1	300166316B	HEAD LAMP HARNESS	1			
2	10046950AC	HEAD LAMP (LHD)-LH	1			
3	10046951AC	HEAD LAMP (LHD)-RH	1			
4	300187375B	UNDERHOOD LIGHT	1			
5	300119996A	PLUNGER SWITCH NC	1			

ELECTRICALS  
EL-9\_ELECTRICAL CABIN



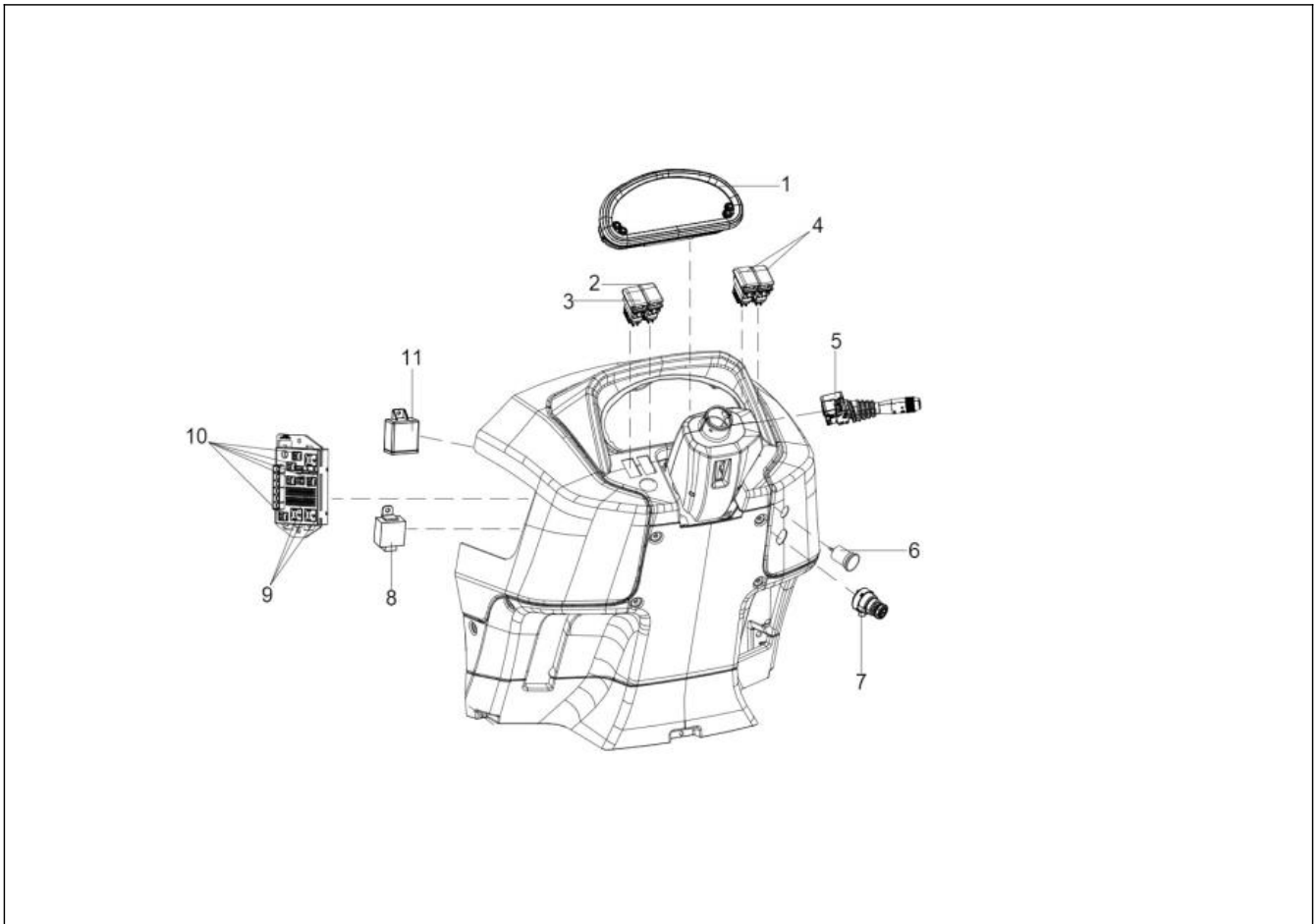
Sr.No	Part Code	Description	Qty	Int.	Cut Off	Remarks
1	300183899C	CABIN HARNESS	1			
2	300169660B	FENDER RH HARNESS	1			
3	300183920D	PLATFORM HARNESS	1			
4	300122403A	BDS BOX	1			
5	300142364A	HIGH CURRENT RELAY-BDS	1			
6	300166313C	BATTERY POSITIVE	1			
7	300166315B	BATTERY NEGATIVE	1			
8	300166314B	BATTERY POSITIVE TO STARTER	1			
9	300184882D	ENGINE HARNESS	1			
10	300184676D	DASHBOARD HARNESS	1			
11	300184036D	CHASSIS HARNESS	1			
12	300169659B	FENDER LH HARNESS	1			

ELECTRICALS  
EL-10\_ELECTRICAL CABIN



Sr.No	Part Code	Description	Qty	Int.	Cut Off	Remarks
1	10054276AA	REVOLVING LIGHT (DETACHABLE)	1			
2	10054277AA	MOUNTING BRACKET( DETACHABLE REVOLVING LIGHT)	1			
3	10067783AB	LIGHT FOR REGISTRATION PLATE	1			
4	300040884A	LED WORK LAMP	4			
5	10087410AA	FRONT WORK LIGHT SWITCH	1			
6	10087411AA	REAR WORK LIGHT SWITCH	1			
7	10087409AA	REVOLVING LIGHT SWITCH	1			
8	10087412AA	WASHER SWITCH	1			
9	10087413AA	FRONT WIPER 2-SPEED SWITCH	1			
10	10087419AA	REAR WASHER SWITCH	1			
11	300239396A	ELLIPTICAL LAMP INDICATOR COBO 030664	2			
12	300233621B	ELLIPTICAL LAMP REAR COBO 21971	2			

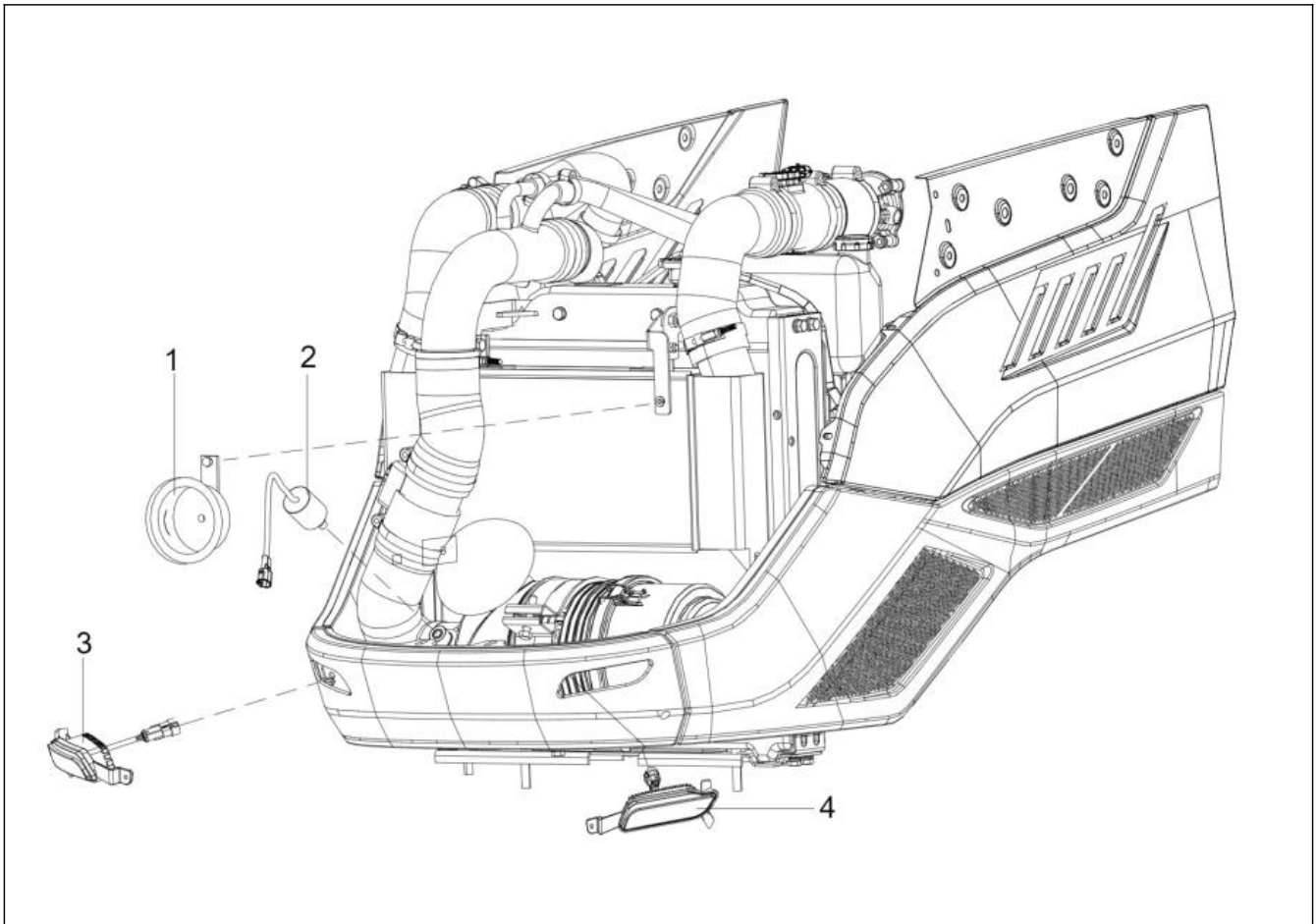
ELECTRICALS  
EL-11\_ELECTRICAL CABIN



Sr.No	Part Code	Description	Qty	Int.	Cut Off	Remarks
1	300108683E	CLUSTER ASSY	1			
2	300095134C	BATTERY CUT OFF SWITCH	1			
3	300184474B	HAZARD SWITCH	1			
4	300300454A	DUMMY ROCKER SWITCH	2			
5	300236376A	COMBINATION SWITCH	1			
6	10023572AA	MOBILE CHARGER SOCKET	1			
7	10029943BD	STARTER SWITCH ASSY	1			
8	10085383AB	TRAILER WITH FLASHER	1			
9	10017954AA	MAIN RELAY-CRDI-75	3			
10	300002575A	MICRO RELAY NC-NO WITH DOIDE	5			
11	10096602AA	SAFETY CONTROLLER FOR ENGINE SHUT-OFF	1			

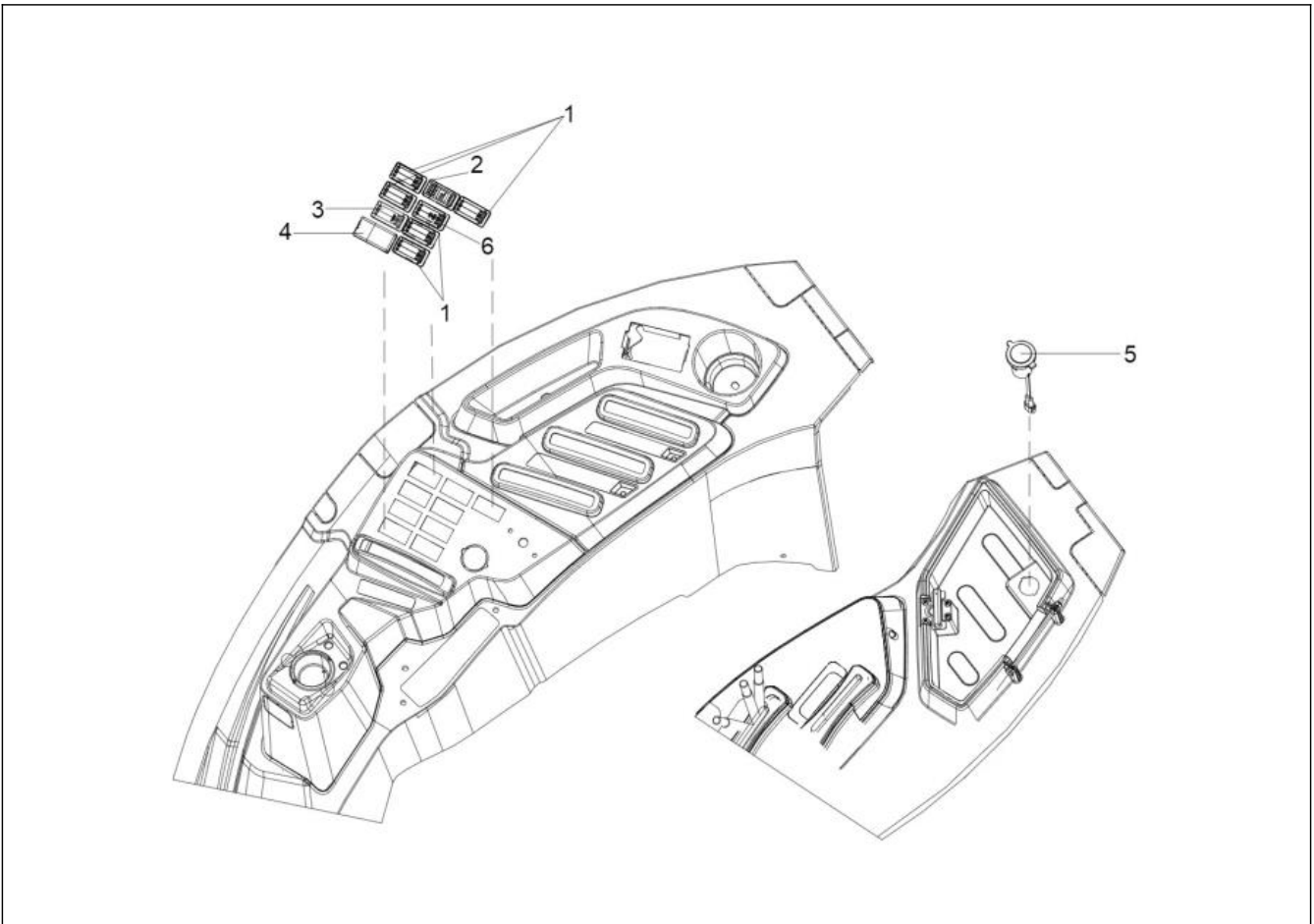


ELECTRICALS  
EL-12\_ELECTRICAL CABIN



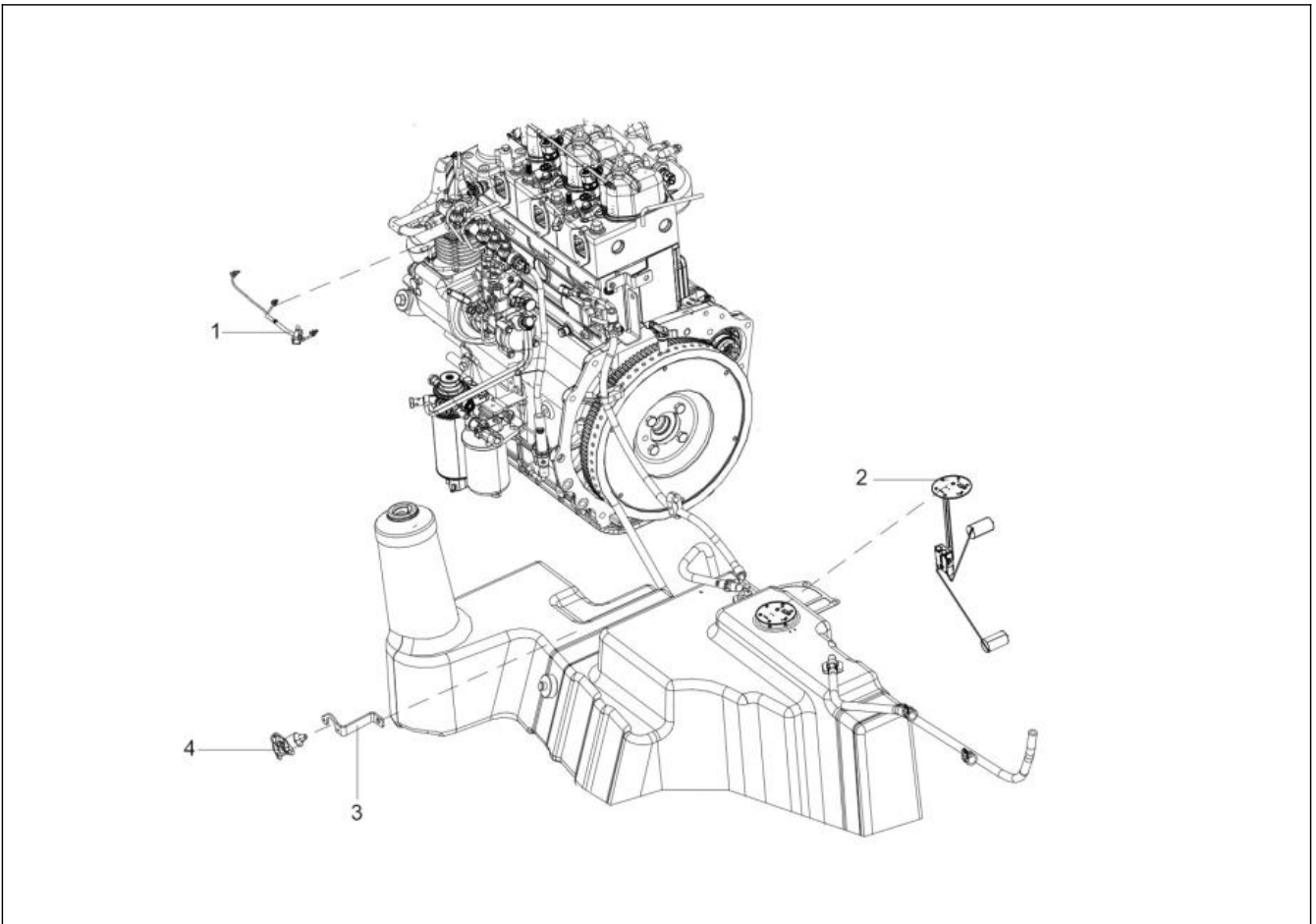
Sr.No	Part Code	Description	Qty	Int.	Cut Off	Remarks
1	10055476AA	HORN (E-MARK)	1			
2	20001508AF	CLOGGING SENSOR	1			
3	300187571C	FRONT WORK LED LIGHT RH-3CYL	1			
4	300187572C	FRONT WORK LED LIGHT LH-3CYL	1			

ELECTRICALS  
EL-13\_ELECTRICAL CABIN



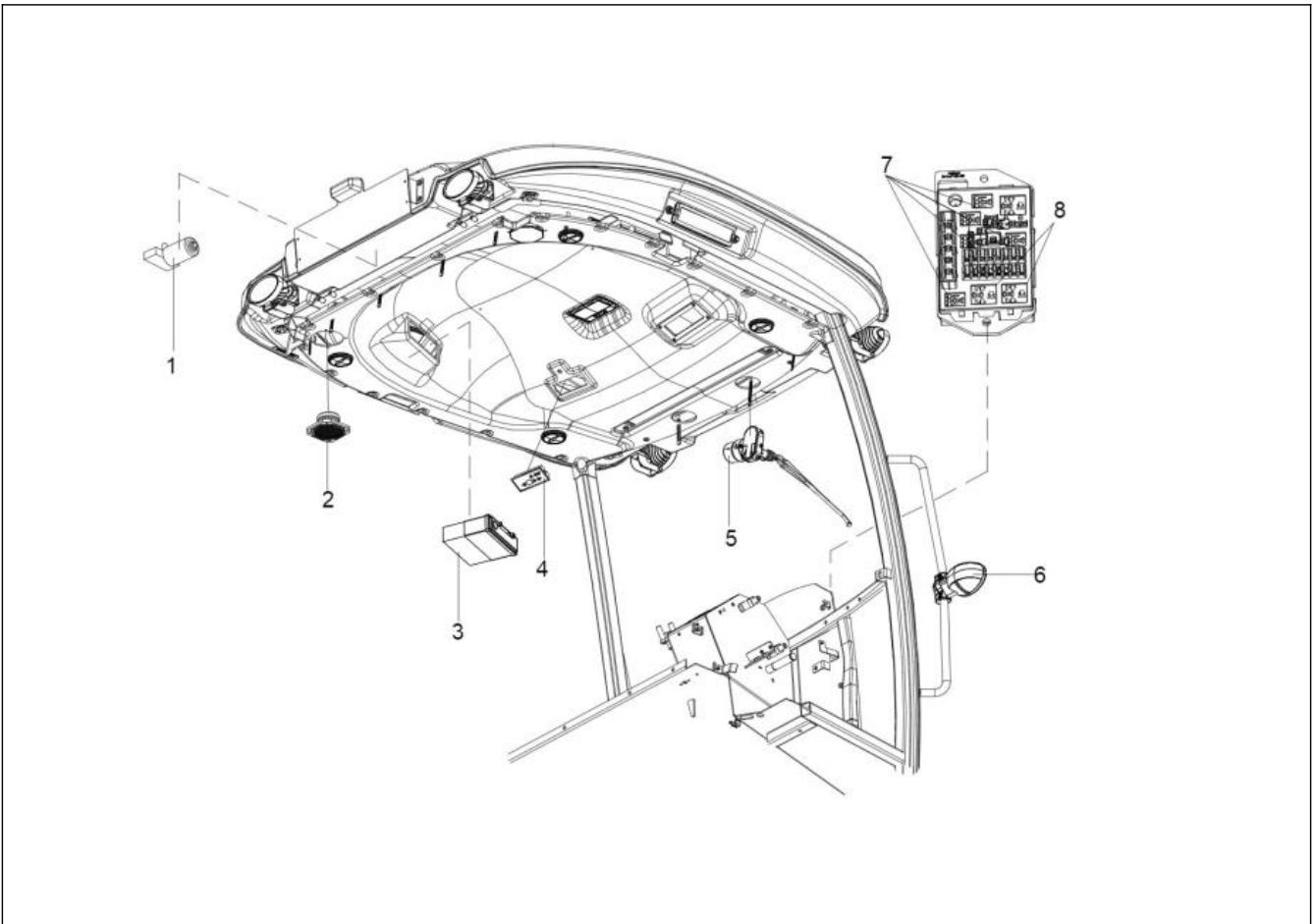
Sr.No	Part Code	Description	Qty	Int.	Cut Off	Remarks
1	300300454A	DUMMY ROCKER SWITCH	5			
2	300216469A	SIGNATURE LIGHT SW VERTICAL	1			
3	300173419B	INDUCEMENT OVERRIDE SWITCH	1			
4	300095131B	DPF SWITCH STAGE V	1			
5	300073891B	USB CHARGER	1			
6	300184498B	PTO EXTERNAL CONTROL SWITCH	1			

ELECTRICALS  
EL-14\_ELECTRICAL CABIN



Sr.No	Part Code	Description	Qty	Int.	Cut Off	Remarks
1	300173299B	HARNESS GLOW PLUG	1			
2	10084941AB	TANK UNIT	1			
3	300040810A	3 PIN PLUG ASSY	1			
4	300040809A	3 PIN SOCKET ASSY	1			

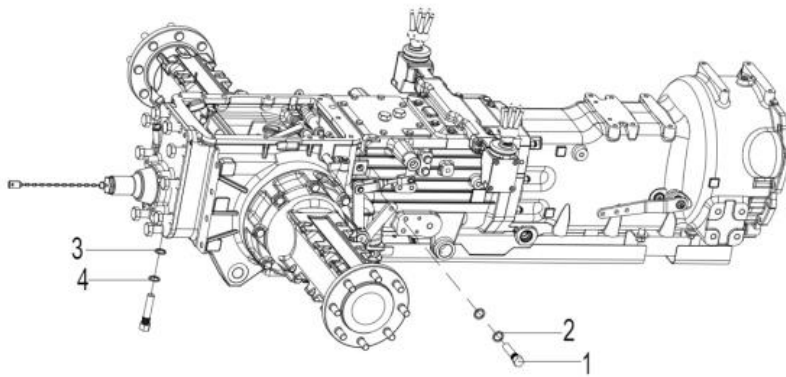
ELECTRICALS  
EL-15\_ELECTRICAL CABIN



Sr.No	Part Code	Description	Qty	Int.	Cut Off	Remarks
1	10085643AA	WIPER MOTOR (REAR)	1			
2	10010881AC	SPEAKERS WITH GRILL FRAME	4			
3	10082189AC	CD PLAYER	1			
4	300186068B	HVAC KIT	1			
5	10085641AA	WIPER MOTOR FRONT	1			
6	10087417AC	FRONT INDICATOR LAMP	2			
7	300002575A	MICRO RELAY NC-NO WITH DOIDE	5			
8	10017954AA	MAIN RELAY-CRDI-75	2			

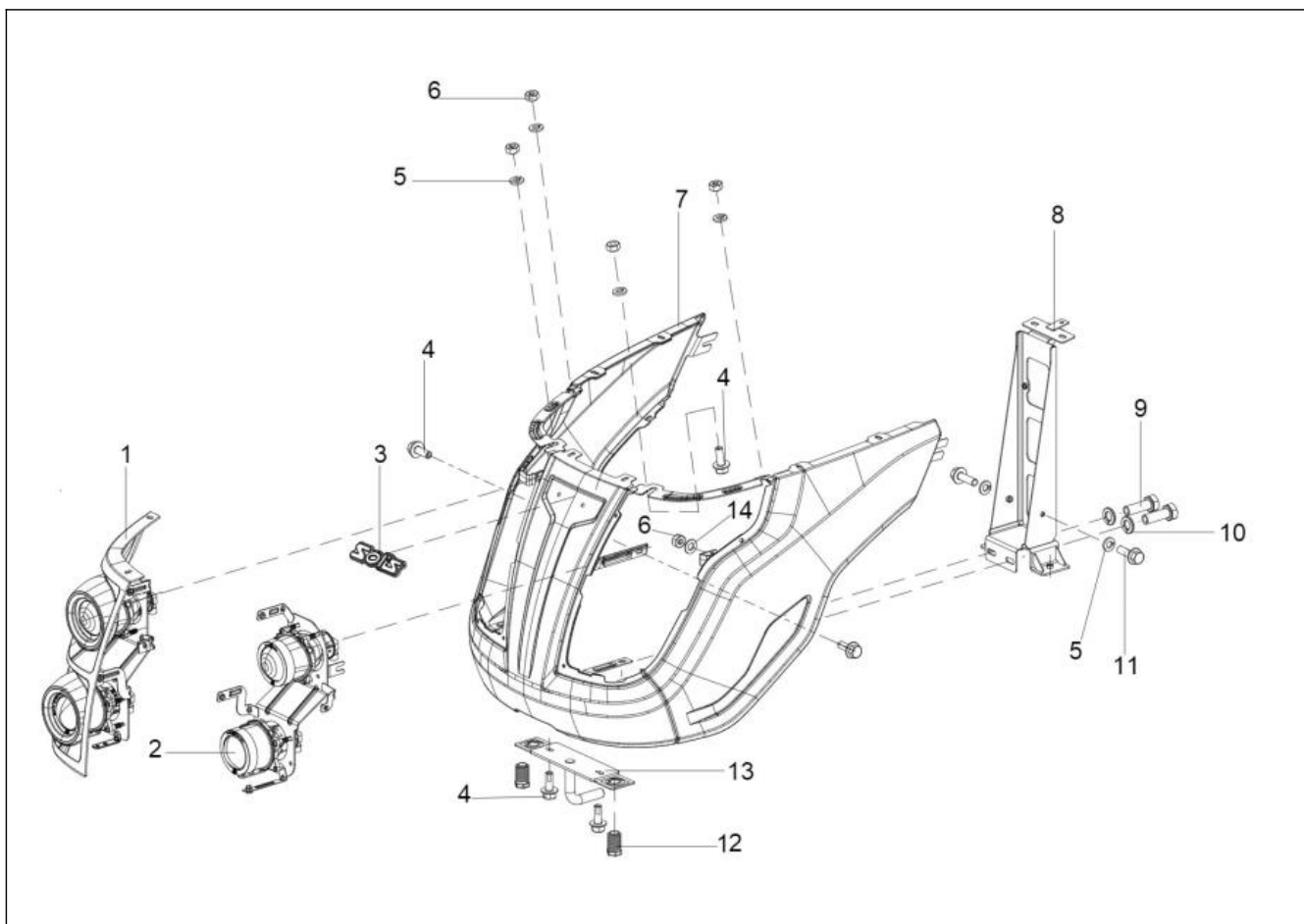


ELECTRICALS  
EL-16\_SENSOR (TRANSMISSION)



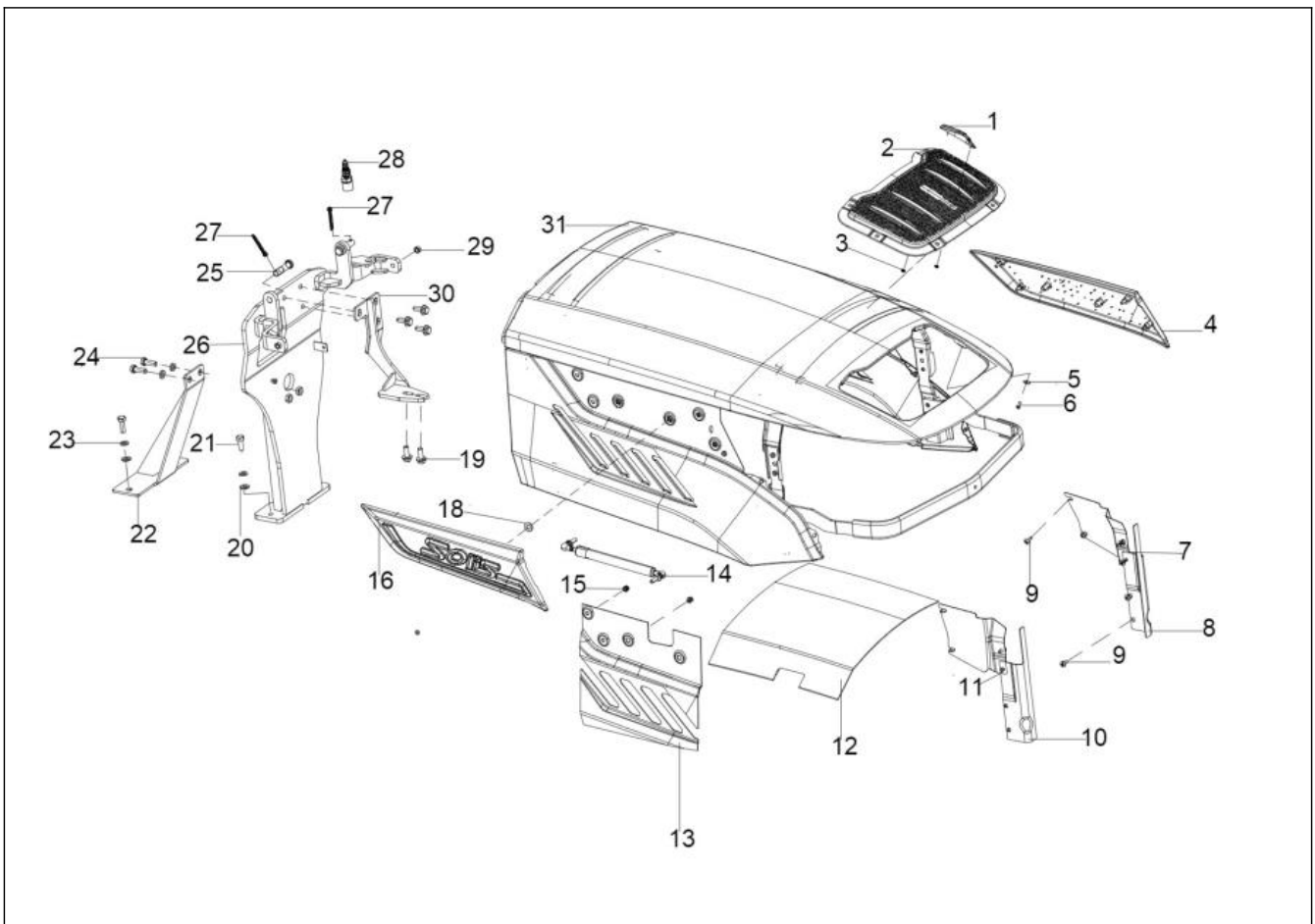
Sr.No	Part Code	Description	Qty	Int.	Cut Off	Remarks
1	300030044A	SPEED SENSOR	2			
2	04030220024	SEALING WASHER M20	1			FOR HI LOW I/MSHAFT 10069434AB (Z-25), FOR HI LOW I/MSHAFT 10065032BB (Z-26), FOR HI LOW I/MSHAFT 10066502BB (Z-27)
3	300131768A	SPACER 2.5	3			FOR HI LOW I/MSHAFT 10065032BB (Z-26), FOR HI LOW I/MSHAFT 10066502BB (Z-27)
4	10012574AA	BONDED SEAL FOR M20	2			

SHEET METAL & OPERATOR AREA  
SM-1\_FRONT MESH



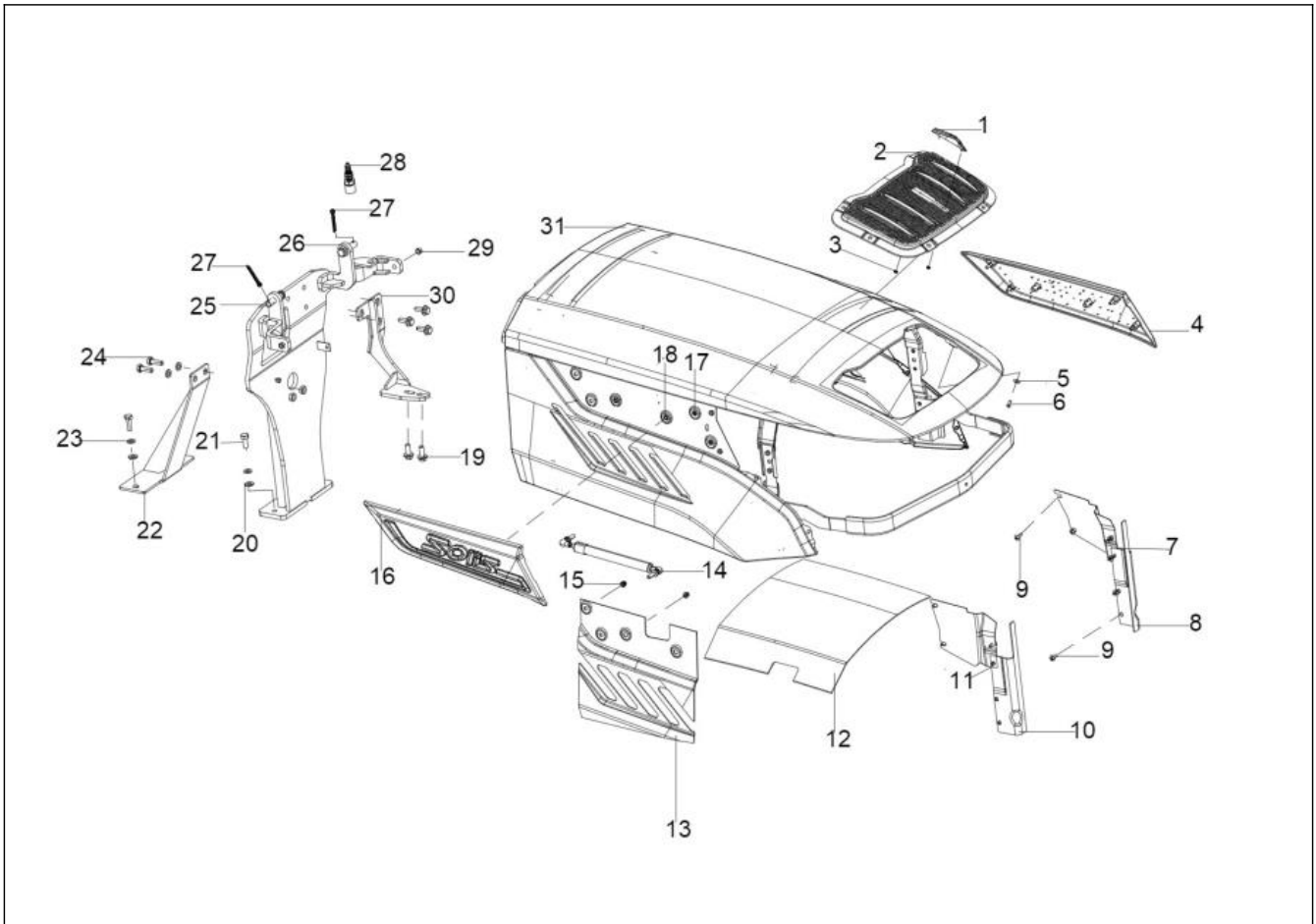
Sr.No	Part Code	Description	Qty	Int.	Cut Off	Remarks
1	10046951AC	HEAD LAMP (LHD)-RH	1			
2	10046950AC	HEAD LAMP (LHD)-LH	1			
3	300192446D	SOLIS LOGO FRONT	1			
4	20005542AA	HEX FLANGE SCREW M6*1*16 -8.8 SA4GS	8			
5	20005516AA	SPRING WASHER B-6 TYPE A IS:3067-1972	5			
6	20005491AA	HEX NUT M6 -8 SA4GS	8			
7	300161839B	FRONT GRILL ASSEMBLY STAGE V W/O PAINT	1			
8	300170973D	SUPPORT BKT. STRICKER PIN ASSY	1			
9	20005564AA	HEX HEAD SCREW M8X1.25- 25 -8.8 SA4GS	2			
10	20005517AA	SPRING WASHER B-8 TYPE A IS:3067-1972	2			
11	20005569AA	HEX SCREW M6X1X20	2			
12	10071239AD	ADJUSTBALE GROMMET	2			
13	300170992B	STRICKER PIN ASSY	1			
14	20004941AB	M/C WASHER DIA 6.4*DIA 12.4*1.6	2			

SHEET METAL & OPERATOR AREA  
SM-2\_BONNET ASSY ROPS



Sr.No	Part Code	Description	Qty	Int.	Cut Off	Remarks
1	300178569C	LOGO TOP MESH	1			
2	300178463B	TOP MESH STAGE V	1			
3	10054162AA	STAR WASHER DIA 4	2			
4	300161110C	SOLIS BRANDING LH STAGE V	1			
5	300032712A	WASHER	6			
6	20004920AB	SLOTTEED CHEESE HEAD SCREWS M5*12	6			
7	300172574B	FRONT SIDE SHEET SEALING LH	1			
8	300169549B	SIDE SEALING LH	1			
9	200000141A	CROSS SLOTTED TRUSS HEAD SCREW M6X16	12			
10	300171965B	SIDE SEALING RH	1			
11	300172697B	FRONT SIDE SHEET SEALING RH	1			
12	300187136C	HEAT SHIELD TOP	1			
13	300187137C	HEAT SHIELD SIDE	1			
14	300173878C	GAS STRUCT 3 CYL STAVE V G1	2			
15	20005765AA	WASHER A 6.4 IS:5370 STEEL (FOR EPA)	8			
16	300168055C	SOLIS BRANDING RH STAGE V	1			
17	20004915AB	HEX NYLOC NUT M6 8	8			NOT SHOWN
18	300003841A	RETAINING WASHER DIA 10	4			
19	20005540AA	HEX FLANGE SCREW M10*1.5*25 -8.8 SA4GS	5			
20	20005625AA	M/CD WASHER 10.5*21*2	4			
21	20005558AA	HEX HEAD SCREW M10X1.25X25 -8.8 SA4GS	2			
22	300283356C	SUPPORT PLATE REAR ASSEMBLY	1			
23	20005518AA	SPRING WASHER B-10 TYPE A IS:3067-1972	6			
24	20005562AA	HEX HEAD SCREW M10X1.5X30 -8.8 SA4GS	4			
25	300209831A	BONNET HING PIN FOR EPA	2			
26	300178849D	BONNET HING MTG BRACKET ASEEMBLY	1			
27	20005450AA	SPLIT PIN DIA 5*45	2			
28	300119996A	PLUNGER SWITCH NC	1			
29	20005504AA	HEX NUT M8X1.25 -8 SA4GS	2			
30	300350077B	BONNET HINGE BRACKET SUPPORT	1			
31	300169177D	BONNET ASSEMBLY STAGE V	1			

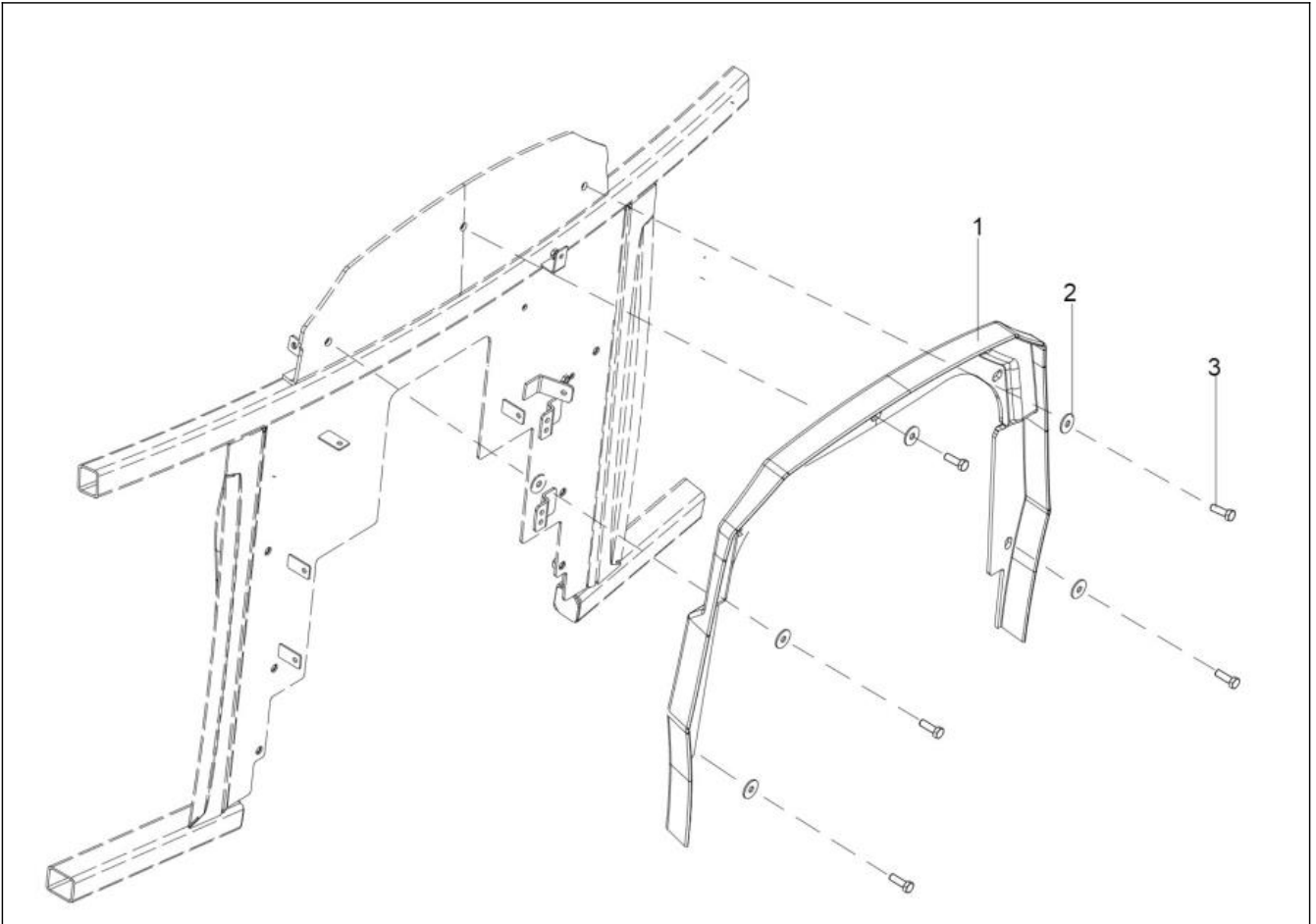
SHEET METAL & OPERATOR AREA  
SM-3\_BONNET ASSY CABIN



Sr.No	Part Code	Description	Qty	Int.	Cut Off	Remarks
1	300178569C	LOGO TOP MESH	1			
2	300178463B	TOP MESH STAGE V	1			
3	10054162AA	STAR WASHER DIA 4	2			
4	300161110C	SOLIS BRANDING LH STAGE V	1			
5	300032712A	WASHER	6			
6	20004920AB	SLOTTEED CHEESE HEAD SCREWS M5*12	6			
7	300172574B	FRONT SIDE SHEET SEALING LH	1			
8	300190966B	SIDE SEALING LH	1			
9	200000141A	CROSS SLOTTED TRUSS HEAD SCREW M6X16	12			
10	300190967B	SIDE SEALING RH	1			
11	300172697B	FRONT SIDE SHEET SEALING RH	1			
12	300187136C	HEAT SHIELD TOP	1			
13	300187137C	HEAT SHIELD SIDE	1			
14	300173878C	GAS STRUCT 3 CYL STAVE V G1	2			
15	20005765AA	WASHER A 6.4 IS:5370 STEEL (FOR EPA)	8			
16	300168055C	SOLIS BRANDING RH STAGE V	1			
17	20004915AB	HEX NYLOC NUT M6 8	8			not shown
18	300003841A	RETAINING WASHER DIA 10	4			
19	20005540AA	HEX FLANGE SCREW M10*1.5*25 -8.8 SA4GS	5			
20	20005625AA	M/CD WASHER 10.5*21*2	4			
21	20005558AA	HEX HEAD SCREW M10X1.25X25 -8.8 SA4GS	2			
22	300283356C	SUPPORT PLATE REAR ASSEMBLY	1			
23	20005518AA	SPRING WASHER B-10 TYPE A IS:3067-1972	6			
24	20005562AA	HEX HEAD SCREW M10X1.5X30 -8.8 SA4GS	4			
25	300209831A	BONNET HING PIN FOR EPA	2			
26	300178983D	BONNET HING MTG BRACKET ASEEMBLY	1			
27	20005450AA	SPLIT PIN DIA 5*45	2			
28	300119996A	PLUNGER SWITCH NC	1			
29	20005504AA	HEX NUT M8X1.25 -8 SA4GS	2			
30	300350077B	BONNET HINGE BRACKET SUPPORT	1			
31	300169177D	BONNET ASSEMBLY STAGE V	1			

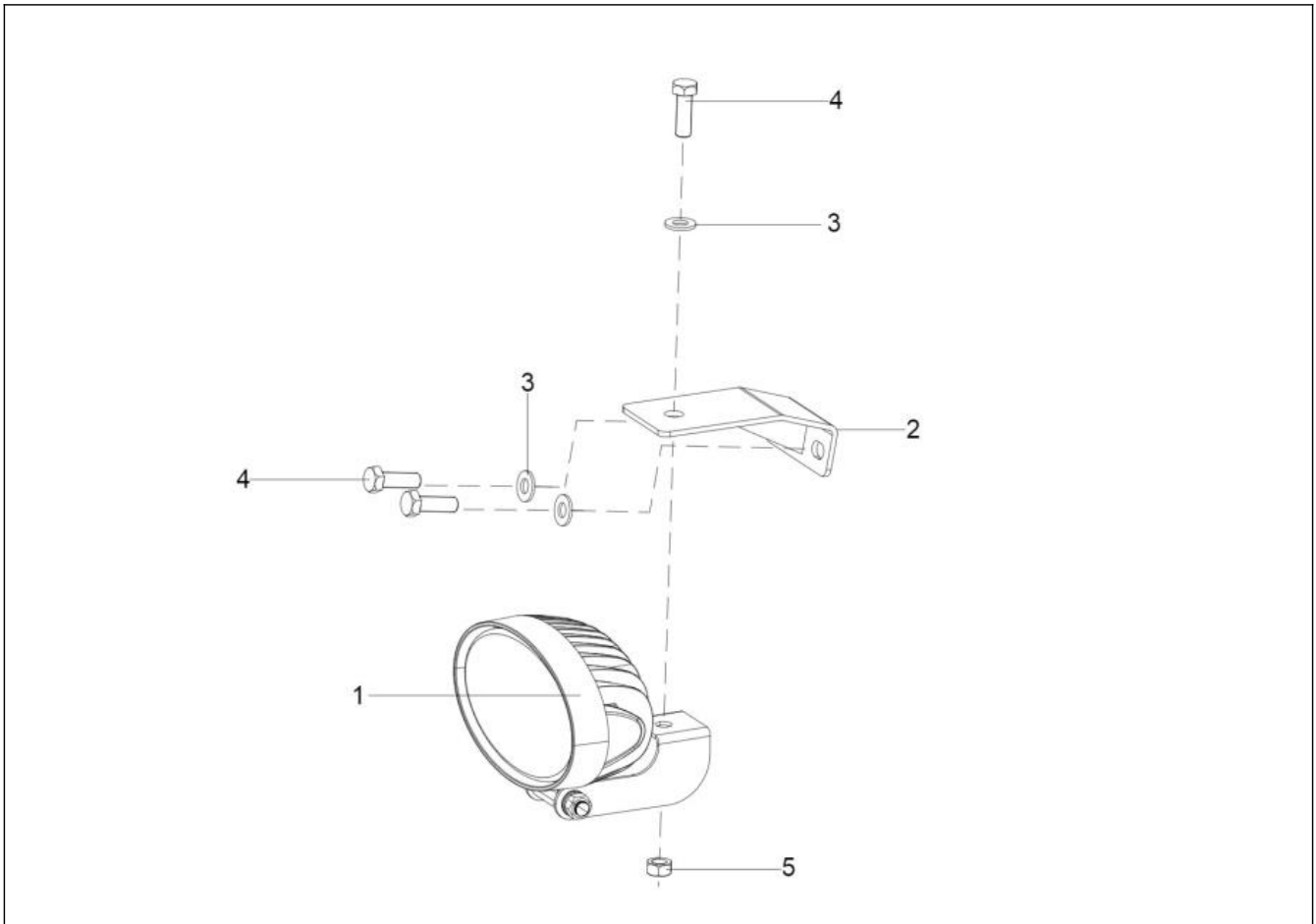


SHEET METAL & OPERATOR AREA  
SM-4\_BONNET BEADING



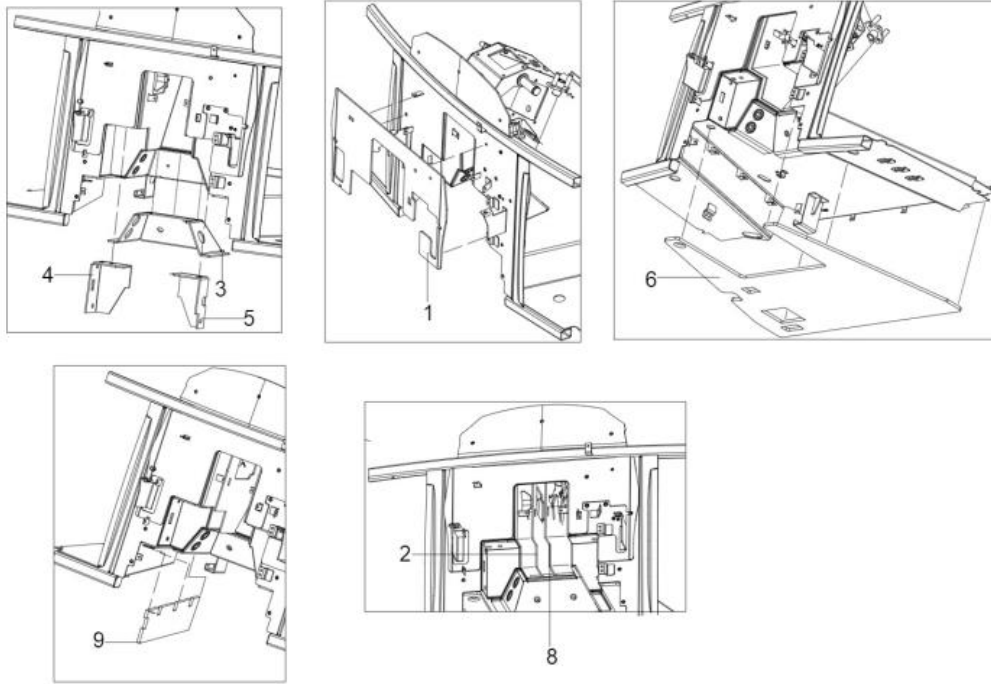
Sr.No	Part Code	Description	Qty	Int.	Cut Off	Remarks
1	300188276B	BONNET MID PIECE - CABIN	1			
2	20004935AB	PLAIN WASHER DIA 8.4 *DIA 17*1.6	5			
3	20005564AA	HEX HEAD SCREW M8X1.25- 25 -8.8 SA4GS	5			

SHEET METAL & OPERATOR AREA  
SM-5\_LIGHT MOUNTING AREA



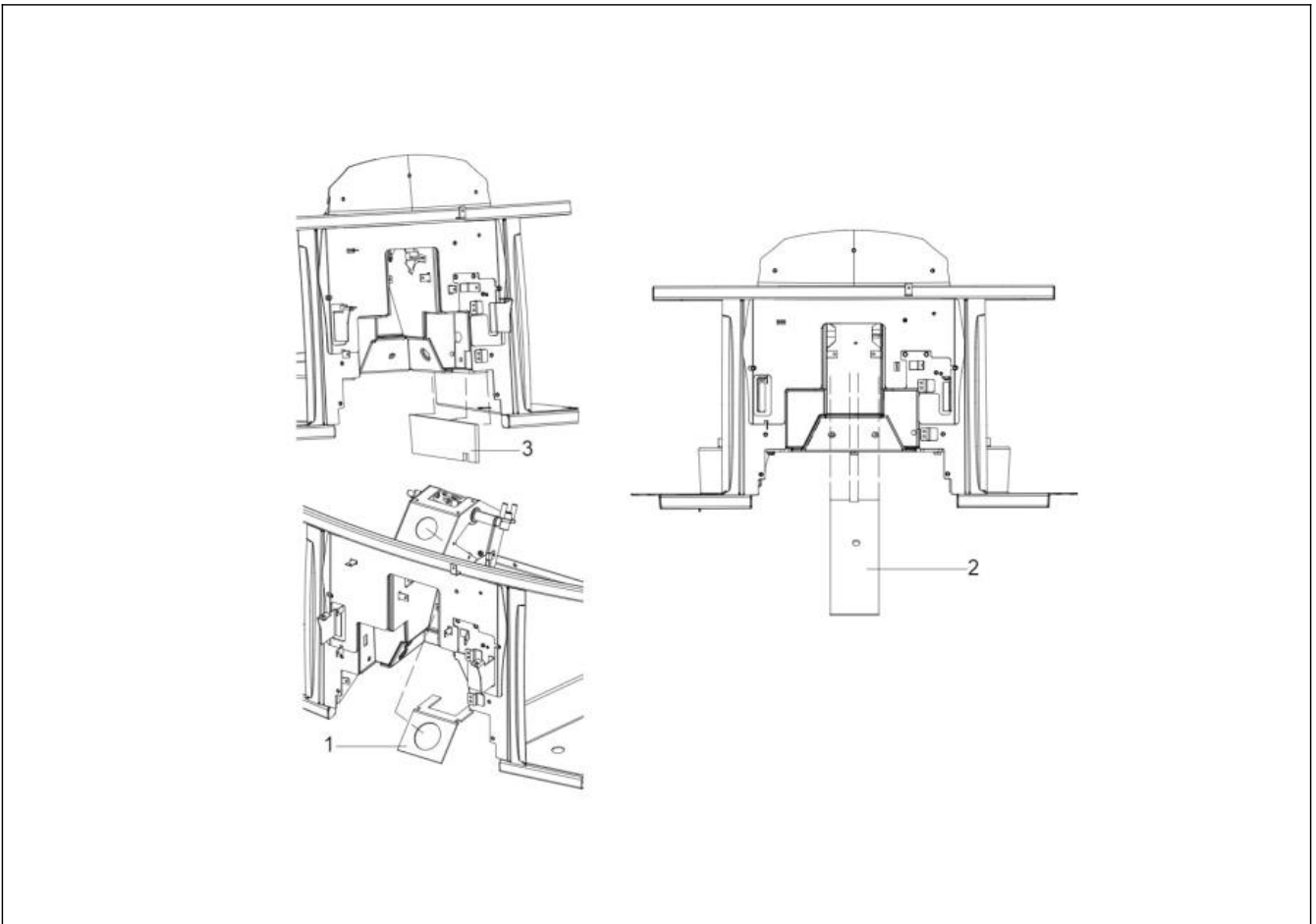
Sr.No	Part Code	Description	Qty	Int.	Cut Off	Remarks
1	300040884A	LED WORK LAMP	1			
2	300188038A	BRACKET ASSY. PLOUGH LAMP MOUNTING	1			
3	200000380A	PLAIN WASHER DIA 8.4X DIA 17X 1.6	3			
4	20001089AA	HEX. HEAD SCREW M8 X 1.25- 25 8-8 SA2JS	3			
5	20005504AA	HEX NUT M8X1.25 -8 SA4GS	1			

SHEET METAL & OPERATOR AREA  
SM-6-1\_HEAT SHIELD CABIN



Sr.No	Part Code	Description	Qty	Int.	Cut Off	Remarks
1	300185324B	FRONT PLATE HEAT SHIELD	1			FOR CABIN
1	300278014A	HEAT SHEILD FRONT PLATE	1			FOR ROPS
2	300185326B	STEERING SIDE PLATE RH HEAT SHIELD	1			
3	300185328A	STEERING BOTTOM PLATE HEAT SHIELD	1			
4	300185330B	HEAT SHIELD FOR BRAKE CLOSING PLATE	1			
5	300185331A	HEAT SHIELD FOR CLUTCH CLOSING PLATE	1			
6	300185332B	HEAT SHIELD FOR FRONT FLOOR MIDDLE	1			
8	300185335B	STEERING SIDE PLATE LH UPPER HEAT SHIELD	1			
9	300192084A	HEAT SHEILD FOR FRONT FLOOR SIDE RH	1			

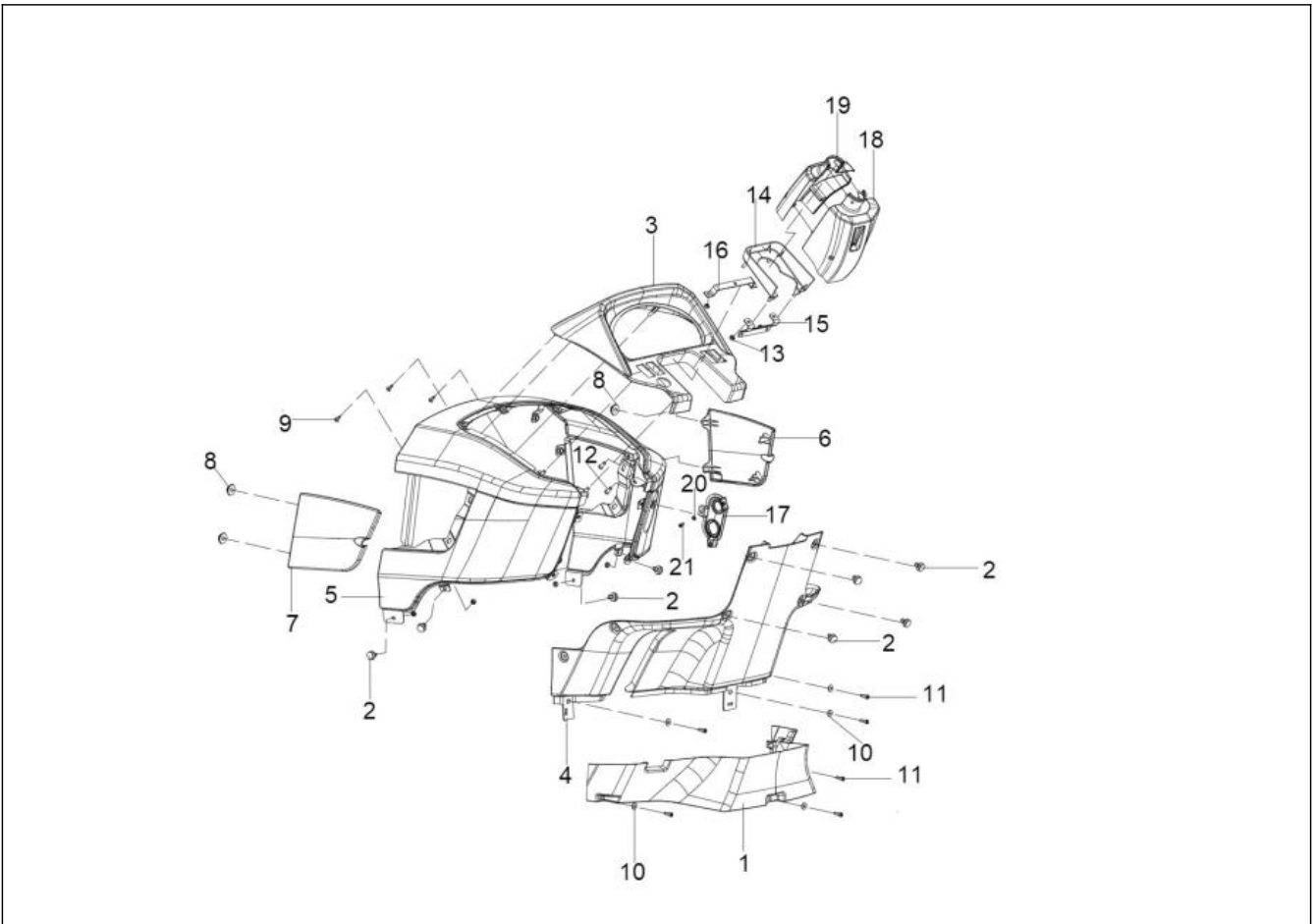
SHEET METAL & OPERATOR AREA  
SM-6-2\_HEAT SHIELD CABIN



Sr.No	Part Code	Description	Qty	Int.	Cut Off	Remarks
1	300185327A	STEERING TOP PLATE HEAT SHIELD	1			
2	300185329A	HEAT SHIELD FOR DASHBOARD MIDDLE PLATE	1			
3	300185333A	HEAT SHIELD FOR FRONT FLOOR SIDE	1			

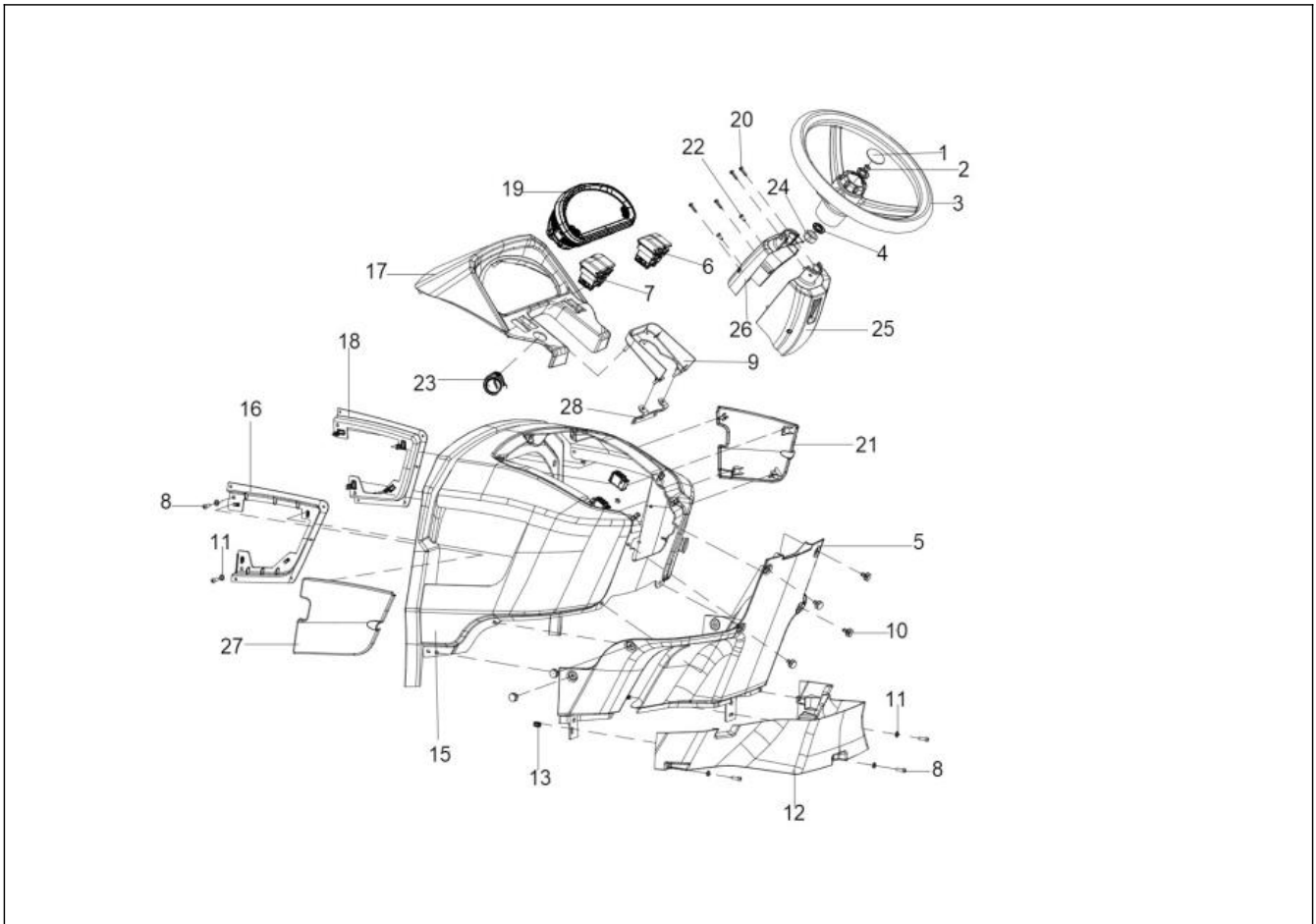


SHEET METAL & OPERATOR AREA  
SM-7\_DASHBOARD ASSY ROPS



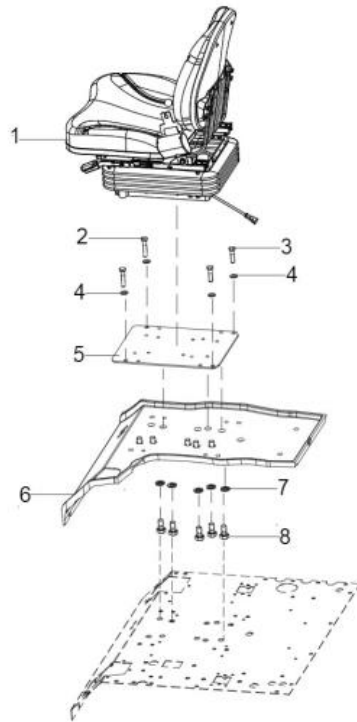
Sr.No	Part Code	Description	Qty	Int.	Cut Off	Remarks
1	300169139A	STEERING BOTTOM COVER	1			
2	300171941A	PLASTIC RIVET	8			
3	300169135B	DASHBOARD PLASTIC ASSEMBLY	1			
4	300169140A	STEERING TOP COVER	1			
5	300193455C	REAR HOOD ASSEMBLY	1			
6	300170030A	PLASTIC COVER REAR HOOD RH	1			
7	300169816A	PLASTIC COVER REAR HOOD LH	1			
8	300171714A	GROMMET COVER MTG	4			
9	10085717AA	CROSS RECESSED PAN HEAD TAPPING SCREW M4.8X16	3			
10	20005007AB	PUNCHED WASHER DIA 5.3*DIA 15*1.5 (A-6)	6			
11	20005589AA	HEX HEAD SCREW M5X16_8.8 SA4GS	6			
12	10085713AA	CROSS RECESSED CHEESE HEAD SCREW M6X16	4			
13	20005491AA	HEX NUT M6 -8 SA4GS	3			
14	300188591A	PLASTIC COVER STEERING	1			
15	300188811A	BRACKET COVER MTG FRONT	1			
16	300188800A	BRACKET COVER MOUNTING	1			
17	300212958A	IGNITION SWITCH COVER	1			
18	300183008A	STEERING COVER	1			
19	300183061B	STEERING COVER REAR	1			
20	200000376A	M/C WASHER M4	3			
21	200003100A	SOCKET HEAD SCREW M4 X 0.7 X10 8.8 SA4GS	3			

SHEET METAL & OPERATOR AREA  
SM-8\_DASHBOARD ASSY CABIN



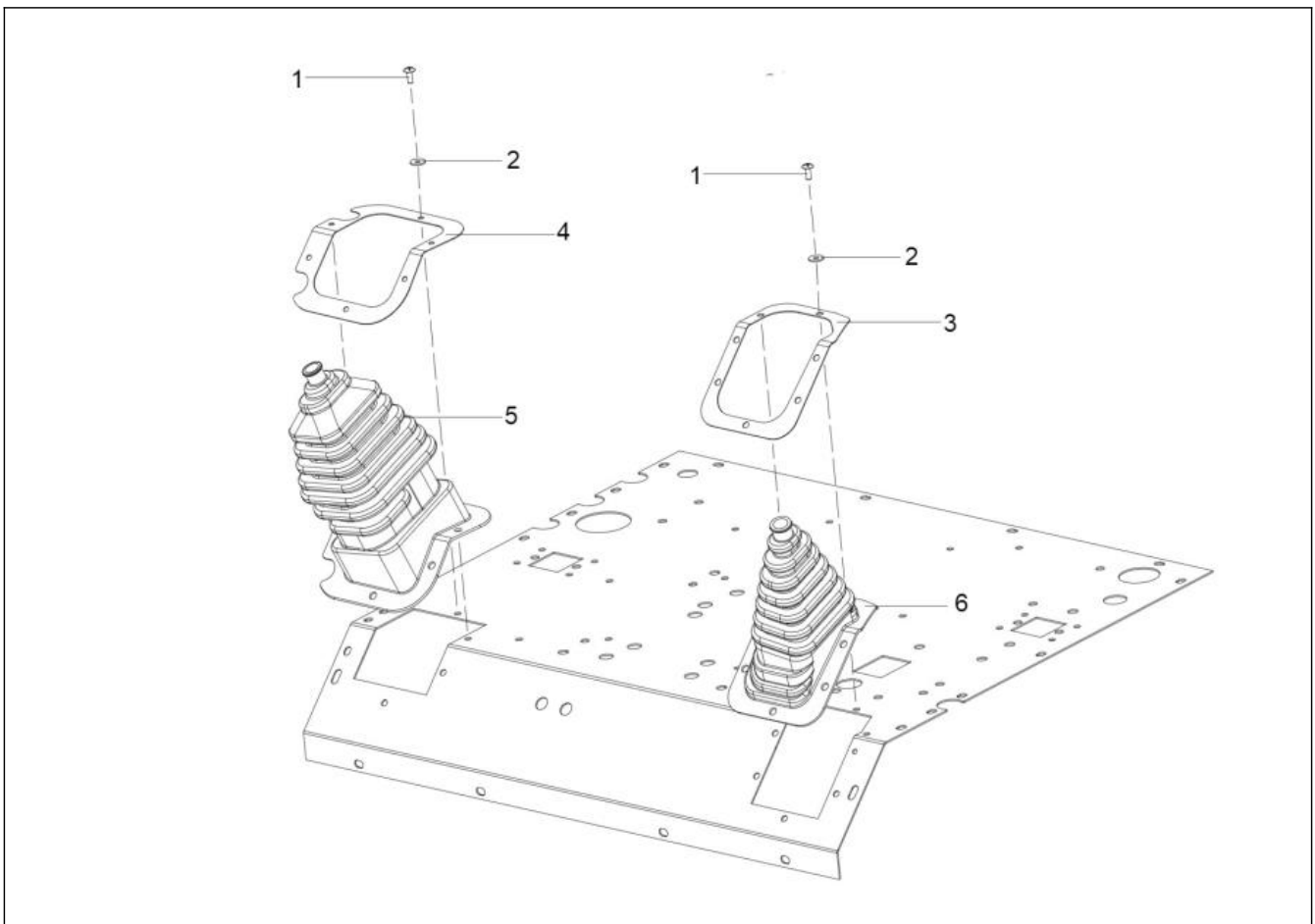
Sr.No	Part Code	Description	Qty	Int.	Cut Off	Remarks
1	10068020AA	SOLIS LOGO FOR 110HP	1			
2	20005504AA	HEX NUT M8X1.25 -8 SA4GS	1			
3	10067989AA	STEERING WHEEL ASSY.	1			
4	20005522AA	SPRING WASHER B-18 TYPE A IS:3067-1972	2			
5	300169140A	STEERING TOP COVER	1			
6	300095131B	DPF SWITCH STAGE V	2			
7	300300454A	DUMMY ROCKER SWITCH	2			
8	20004652AB	TRUSS PHILIPS M/C SCREW M6X20	12			
9	300188591A	PLASTIC COVER STEERING	1			
10	300171941A	PLASTIC RIVET	8			
11	20004941AB	M/C WASHER DIA 6.4*DIA 12.4*1.6	14			
12	300169139A	STEERING BOTTOM COVER	1			
13	10093576AA	PLASTIC PANNEL CLIP	11			
15	300182106C	REAR HOOD PLASTIC CABIN	1			
16	300190307B	COVER CAP LH	1			
17	300169135B	DASHBOARD PLASTIC ASSEMBLY	1			
18	300187263B	COVER CAP RH	1			
19	300108683E	CLUSTER ASSY	1			
20	10085715AA	CROSS RECESSED PAN HEAD TAPPING SCREW	7			
21	300188731A	PLASTIC COVER REAR HOOD RH CABIN	1			
22	20005537AA	SLOTTED CHEASE HEAD SCREW M5*12	2			
23	10029943BD	STARTER SWITCH ASSY	1			
24	20005506AA	HEX NUT M18X2.5 - SA4GS	1			
25	300183008A	STEERING COVER	1			
26	300183061B	STEERING COVER REAR	1			
27	300189874A	PLASTIC COVER REAR HOOD LH - CABIN	1			
28	300188811A	BRACKET COVER MTG FRONT	1			

SHEET METAL & OPERATOR AREA  
SM-9\_DRIVER SEAT ROPS



Sr.No	Part Code	Description	Qty	Int.	Cut Off	Remarks
1	300022596A	DRIVER SEAT	1			
2	200000510A	HEX BOLT M12X1.75X75 8.8 SA4GS	2			
3	20003225AB	HEX BOLT M 12*1.75*45 8-8 SA3NS	2			
4	20004940AB	M/C WASHER DIA 13*DIA 24*2.5	4			
5	300349052A	SEAT BASE PLATE	1			
6	300189118A	REAR FLOOR MAT	1			
7	20005517AA	SPRING WASHER B-8 TYPE A IS:3067-1972	10			
8	20005559AA	HEX HEAD SCREW M8X1.25X16 -8.8 SA4GS	10			

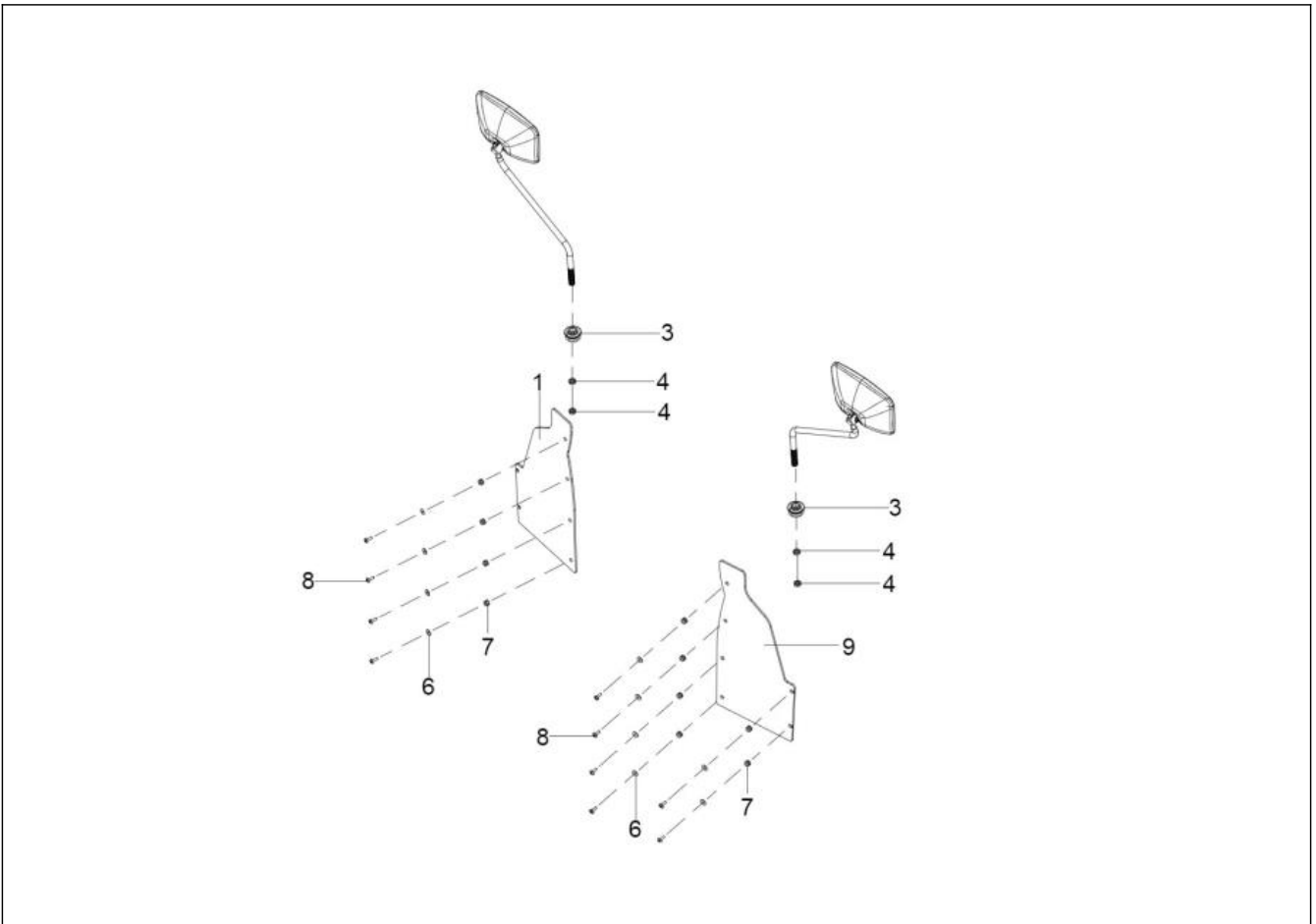
SHEET METAL & OPERATOR AREA  
SM-10\_BOOTS AND RINGS ASSY



Sr.No	Part Code	Description	Qty	Int.	Cut Off	Remarks
1	20003931AB	CROSS SLOTTED TRUSS HEAD SCREW M6	13			
2	20005524AA	PLAIN WASHER A 6.4 IS:5370 STEEL	13			
3	300274451A	RANGE LEVER BOOT RING	1			
4	300274448A	GEAR LEVER BOOT RING	1			
5	300191500A	GEAR LEVER BOOT	1			
6	300191225A	RANGE LEVER BOOT	1			

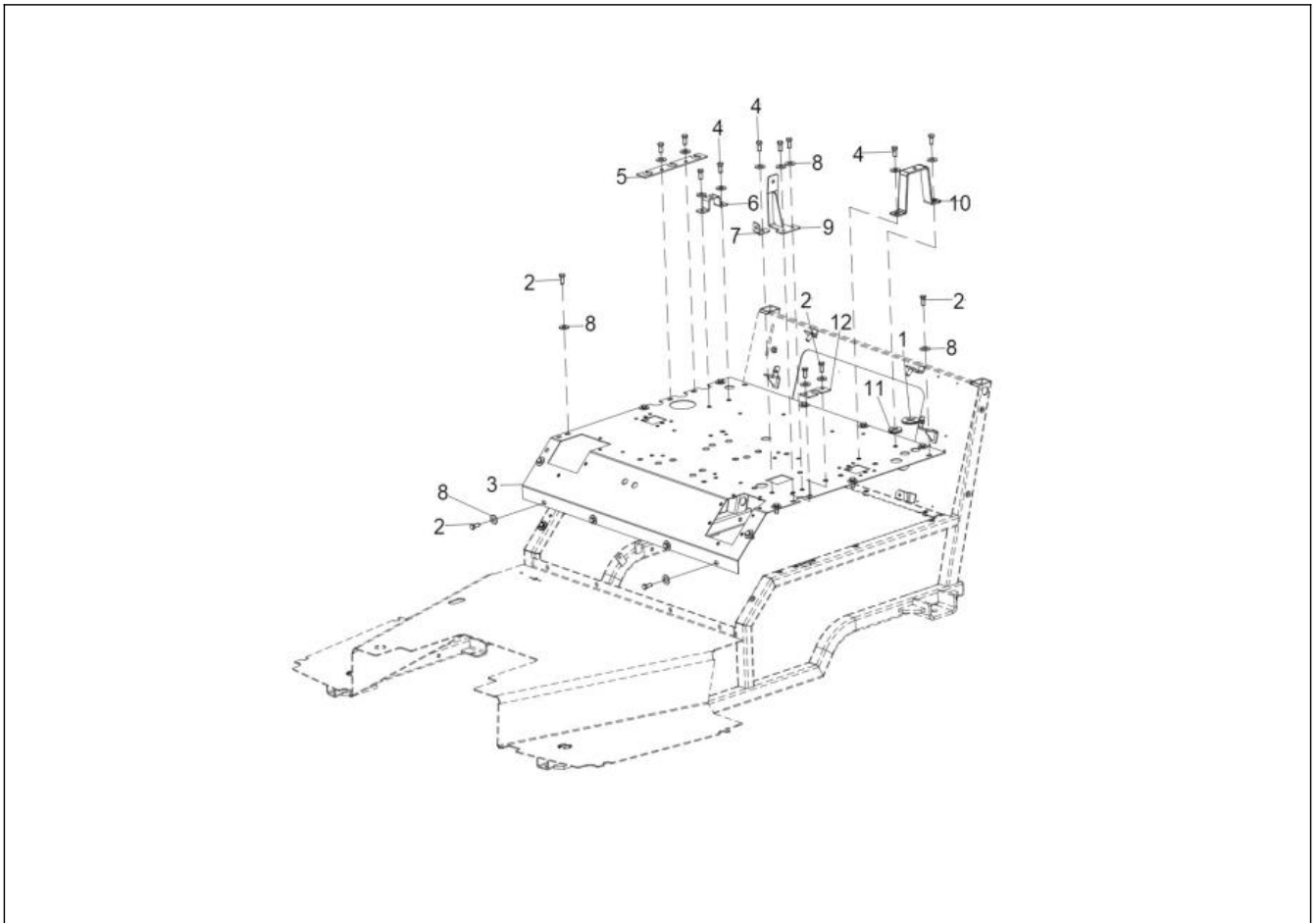


SHEET METAL & OPERATOR AREA  
SM-11\_FLOOR/PLATFORM FRONT AREA



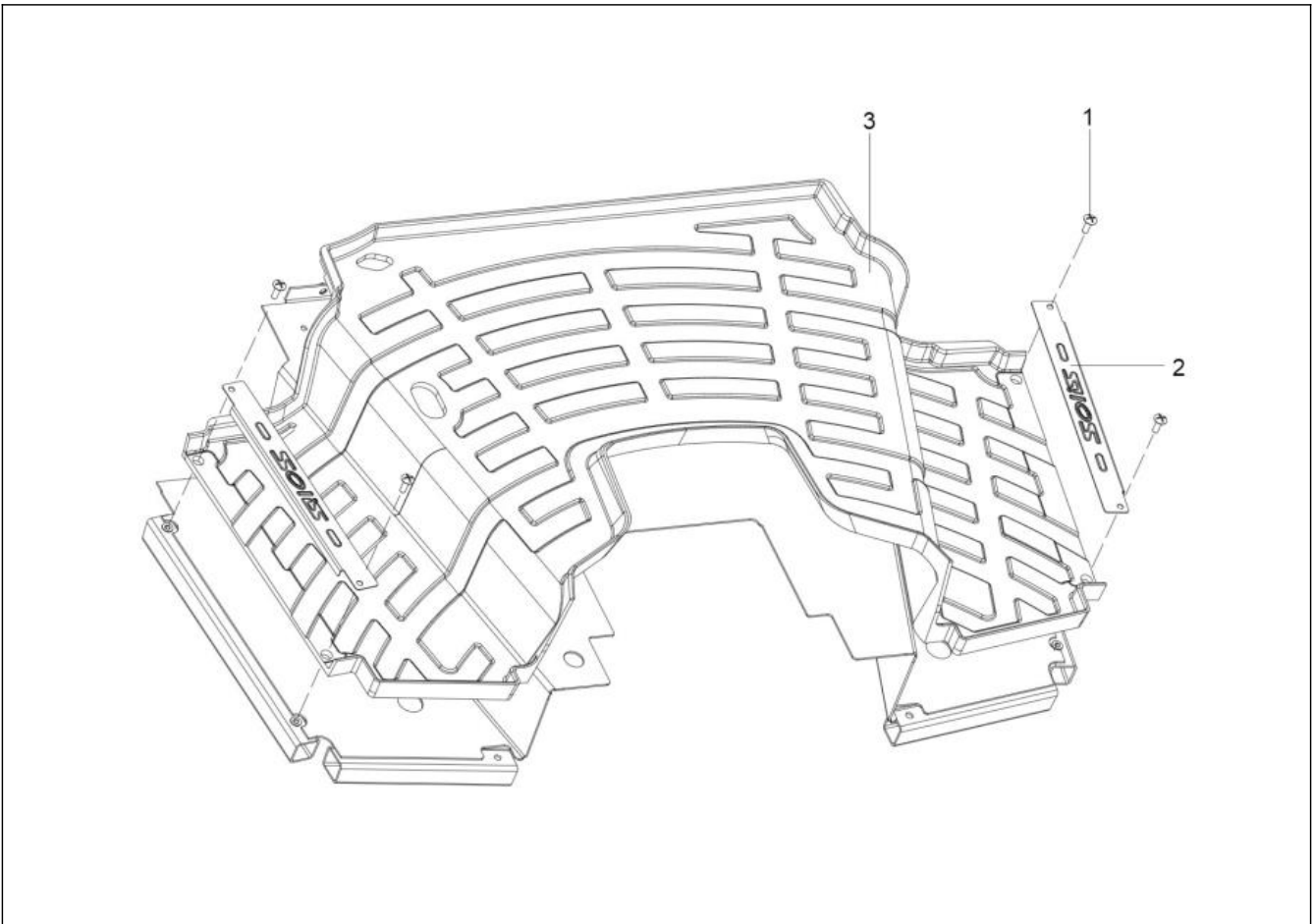
Sr.No	Part Code	Description	Qty	Int.	Cut Off	Remarks
1	300264959A	FRONT SHEET RH	1			
3	10068834AA	10068634_CAP_FOR_MIRROR_HUB	2			
4	20005579AA	HEX LOCK NUT M12 SA4GS	4			
6	20005524AA	PLAIN WASHER A 6.4 IS:5370 STEEL	12			
7	300285219A	SPECIAL RUBBER BUSH FOR FRONT GLASS	12			
8	200000130A	CROSS SLOTTED TRUSS HEAD SCREW M6X20	12			
9	300264960A	FRONT SHEET LH	1			

SHEET METAL & OPERATOR AREA  
SM-12\_REAR FLOOR ASSY



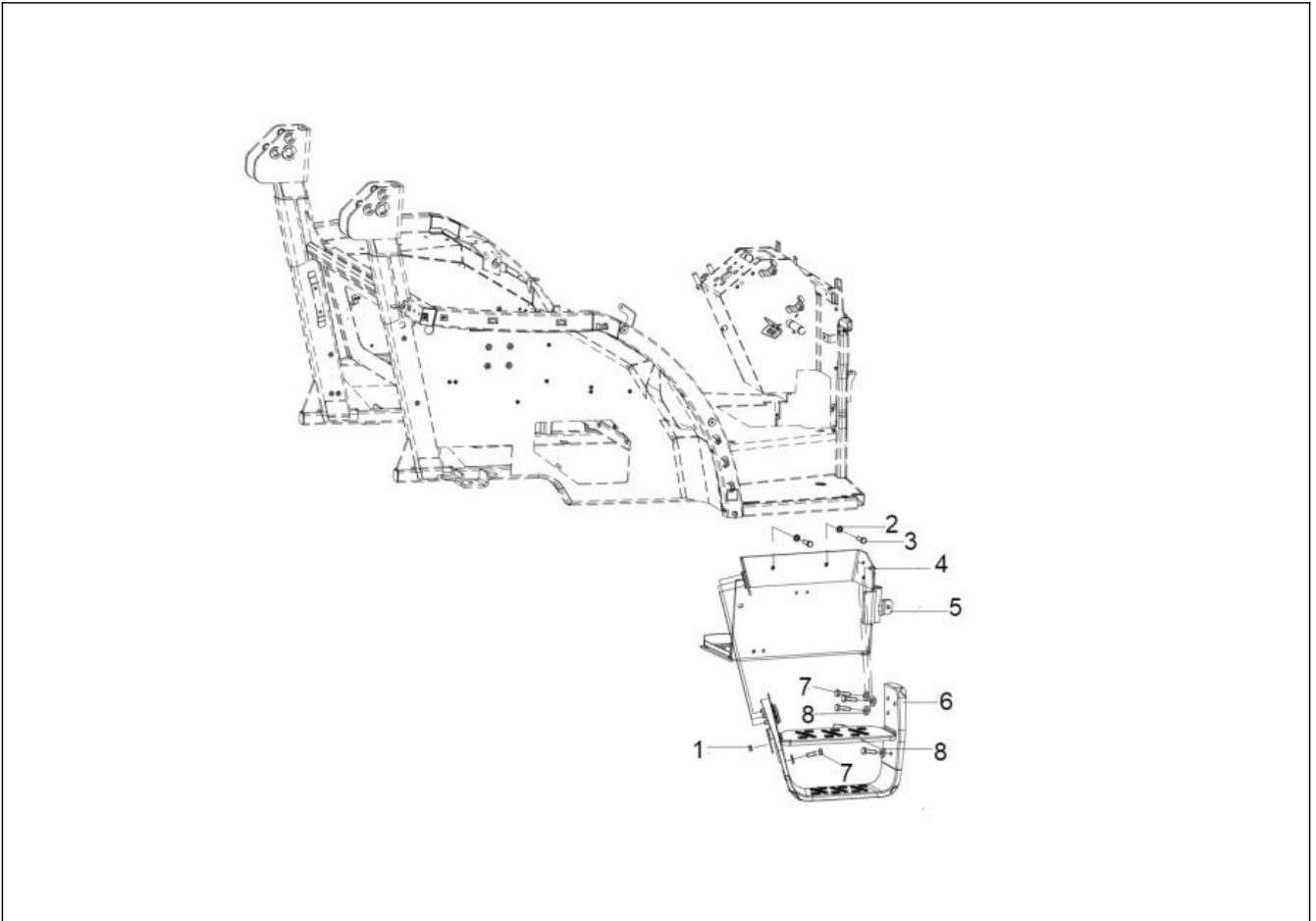
Sr.No	Part Code	Description	Qty	Int.	Cut Off	Remarks
1	300276609A	GROMMET FOR FLEXIBLE PIPES	1			
2	20001096AA	HEX. HEAD SCREW M8 X 1.25 X 20 8-8 SA2JS	22			
3	300182678D	REAR FLOOR ASSEMBLY (ECO MST)	1			
4	20005565AA	HEX HEAD SCREW M8X1.25X20 -8.8 SA4GS	7			
5	300281613A	DCV DUST COVER PLATE	1			
6	300187795A	RH BOTTOM CONSOLE MTG BRKT REAR	1			
7	300189119A	LH BOTTOM CONSOLE MTG BRKT	1			
8	04030600008	PLAIN WASHER DIA 8.4 *DIA 17*1.6	29			
9	300187780A	LH BOTTOM CONSOLE MTG BRKT FRONT	1			
10	300187789A	LH BOTTOM CONSOLE MTG BRKT REAR	1			
11	300213803A	GROMMET FENDER HARNESS	1			
12	300281995A	PTO COVER PLATE	1			

SHEET METAL & OPERATOR AREA  
SM-13\_MATT & HOLDING STRIP ASSY



Sr.No	Part Code	Description	Qty	Int.	Cut Off	Remarks
1	10083037AB	CROSS SLOTTED TRUSS HEAD SCREW M8X45	4			
2	300104753B	MAT HOLDING STRIP ASSY	2			
3	300188090A	FLOOR MAT FRONT	1			

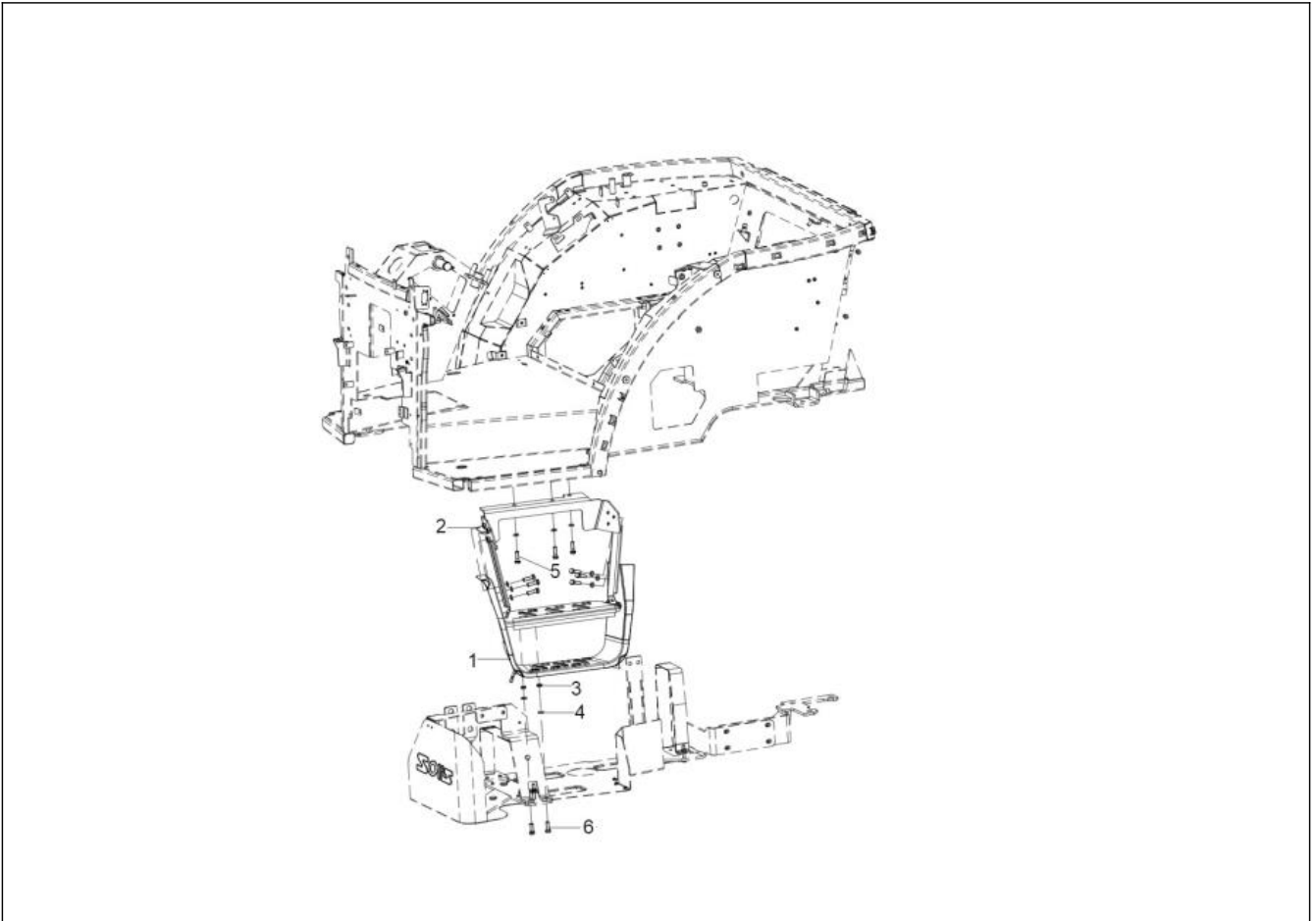
SHEET METAL & OPERATOR AREA  
SM-14\_FOOT STEP ASSY RH



Sr.No	Part Code	Description	Qty	Int.	Cut Off	Remarks
1	20004874AA	HEX NUT M10X1.5 SA3NS	2			
2	20004993AB	SPRING WASHER B-12TYPE-A IS:3063-1972	2			
3	300031653A	HEX BOLT	2			
4	300188844C	3 CYL STG V FOOT STEP MTG BKT	1			
5	300120785C	BATTERY BOX	1			
6	300184999C	3 CYL STAGE V FOOT STEP RH ASSY	1			
7	20005606AA	HEX HEAD BOLT M10X35_8.8 SA4GS	8			
8	20005518AA	SPRING WASHER B-10 TYPE A IS:3067-1972	8			

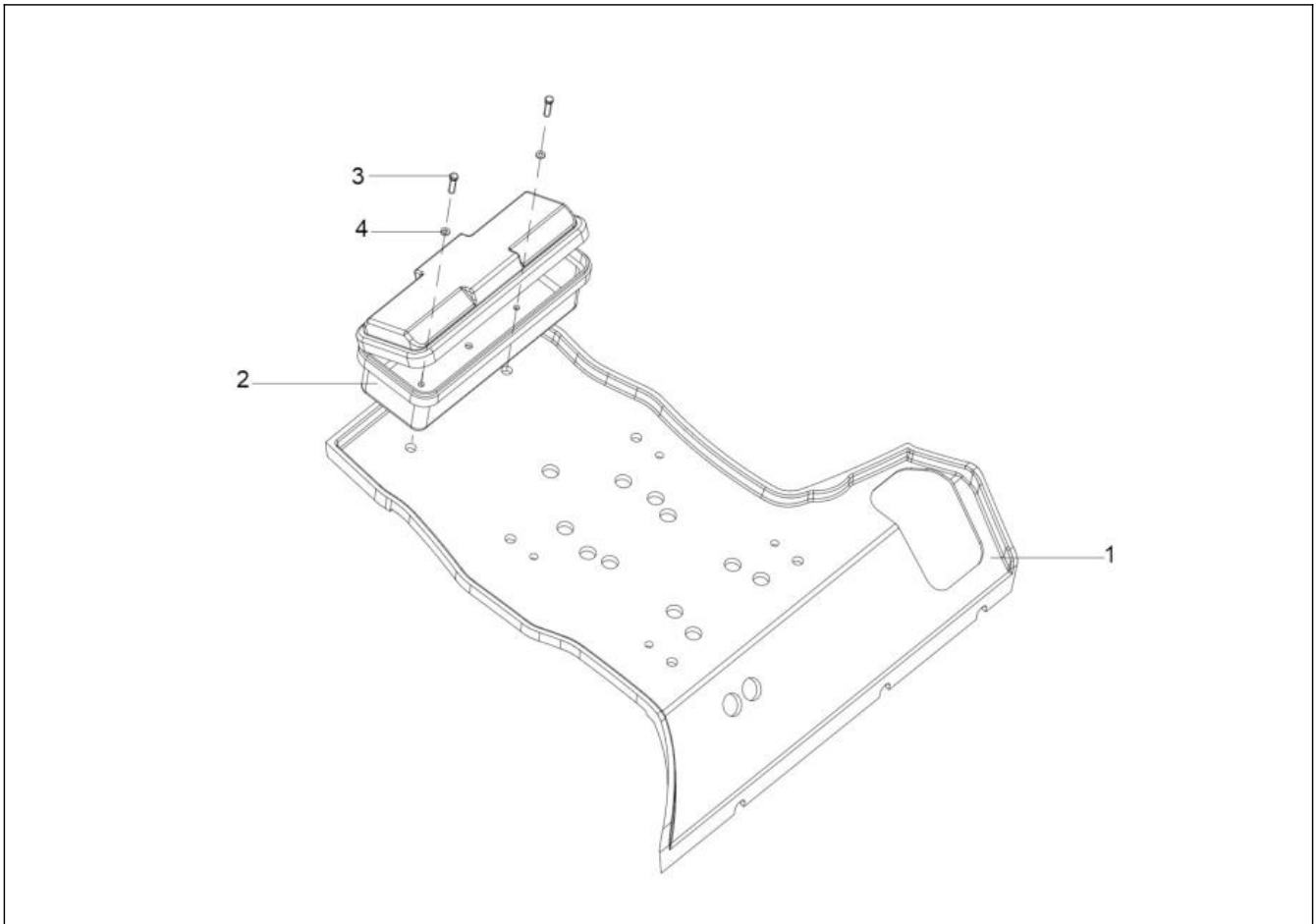


SHEET METAL & OPERATOR AREA  
SM-15\_FOOT STEP ASSY LH



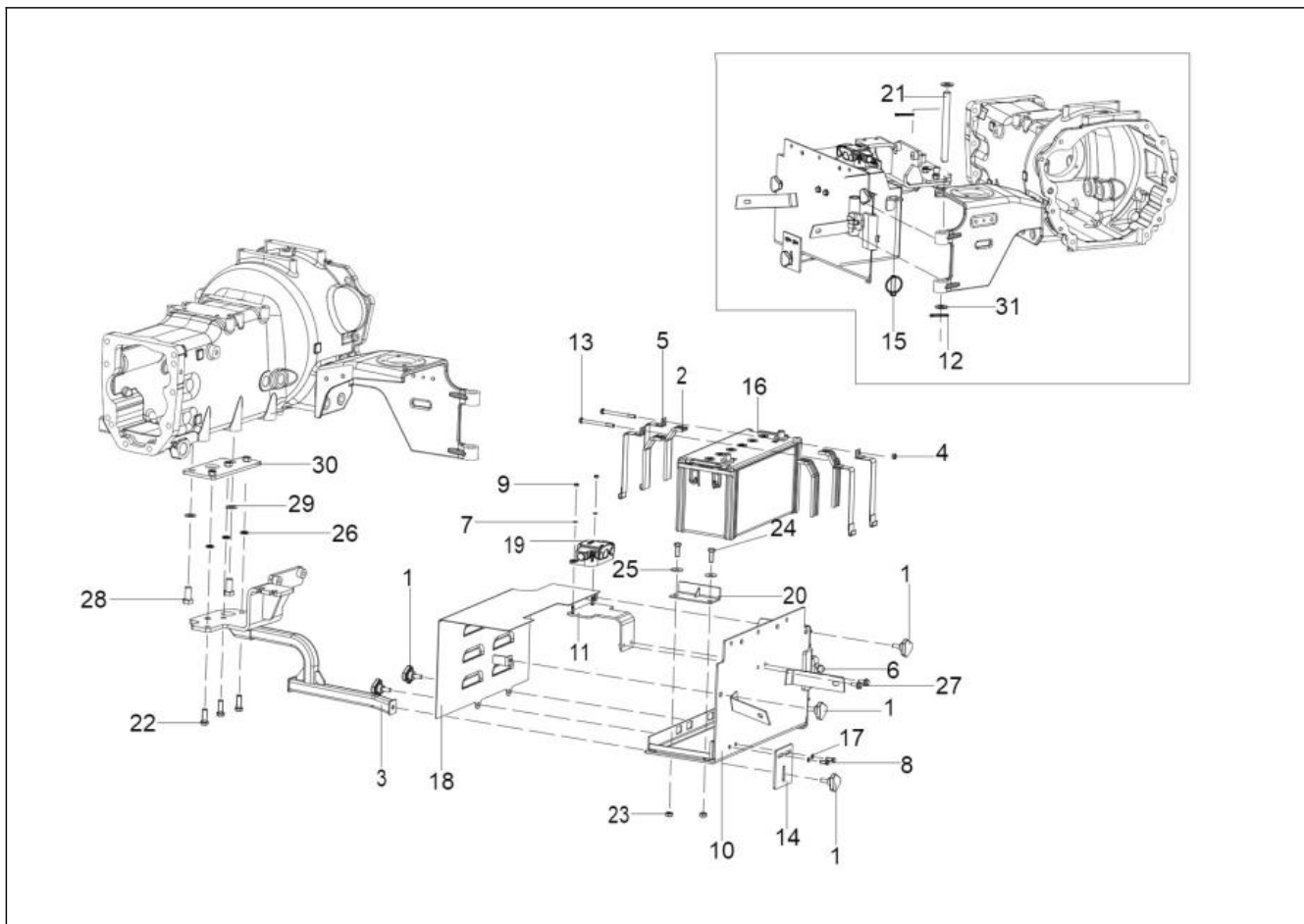
Sr.No	Part Code	Description	Qty	Int.	Cut Off	Remarks
1	300184986C	3 CYL STAGE V FOOT STEP ASSY LH	1			
2	300188844C	3 CYL STG V FOOT STEP MTG BKT	1			
3	20004874AA	HEX NUT M10X1.5 SA3NS	2			
4	20005518AA	SPRING WASHER B-10 TYPE A IS:3067-1972	8			
5	20005606AA	HEX HEAD BOLT M10X35_8.8 SA4GS	8			
6	20005562AA	HEX HEAD SCREW M10X1.5X30 -8.8 SA4GS	2			

SHEET METAL & OPERATOR AREA  
SM-16\_TOOL BOX



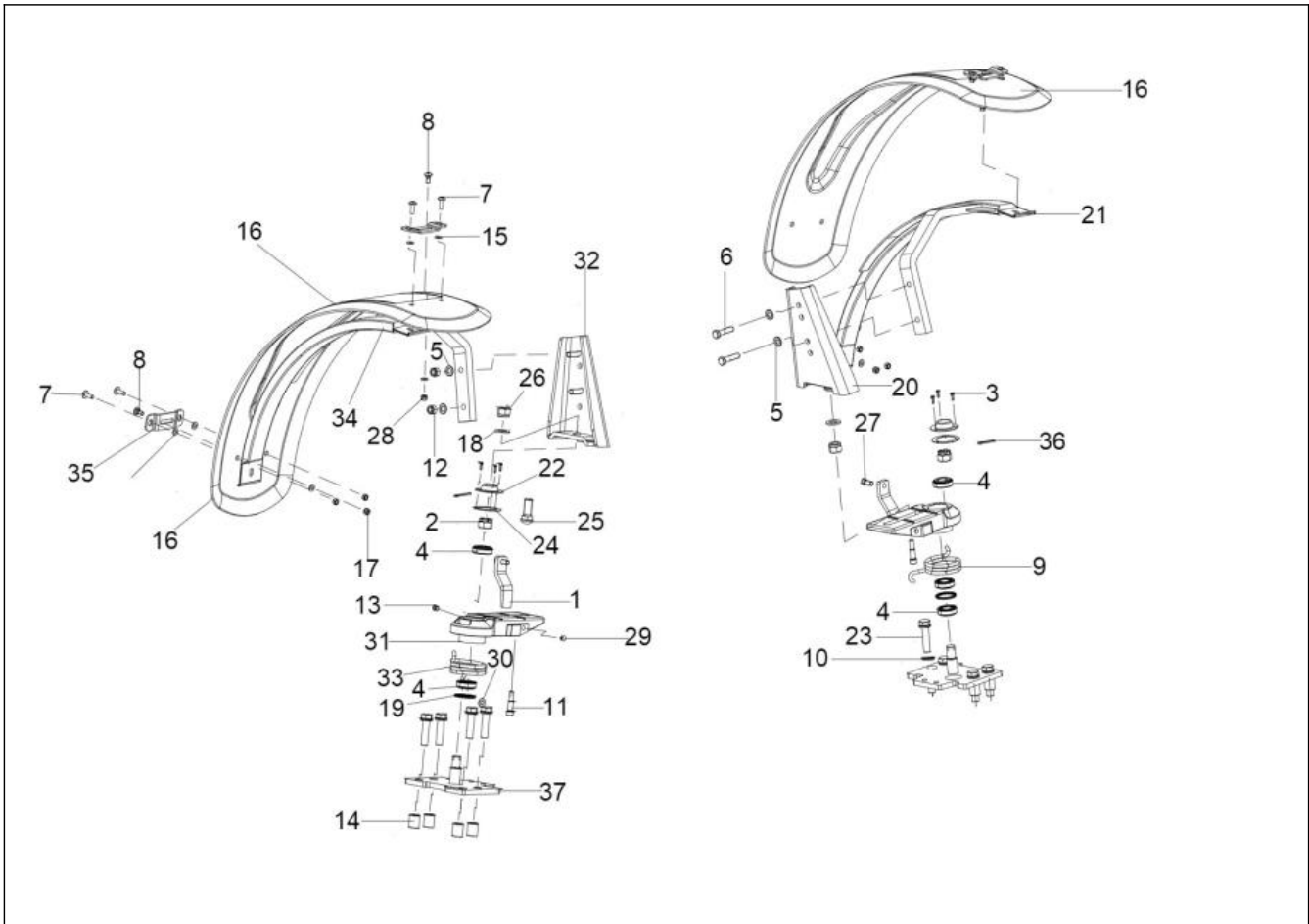
Sr.No	Part Code	Description	Qty	Int.	Cut Off	Remarks
1	300189118A	REAR FLOOR MAT	1			
2	10028884AD	TOOL BOX ASSY	1			
3	20005568AA	HEX SCREW M6X30 SA4GS	2			
4	20005765AA	WASHER A 6.4 IS:5370 STEEL (FOR EPA)	2			

SHEET METAL & OPERATOR AREA  
 SM-17\_BATTERY BOX



Sr.No	Part Code	Description	Qty	Int.	Cut Off	Remarks
1	300037652A	THUMB SCREW	5			
2	300171175A	RUBBER FLAP WT HITECH EPA	4			
3	300179844A	BATTERY BOX SUPPORT CHANNEL	1			
4	20003355AB	HEX NUT M8X1.25 -8 SA2JS	2			
5	300173491A	BELT BATTERY MOUNTING	4			
6	04040712035	HEX BOLT M12X35	1			
7	20005516AA	SPRING WASHER B-6 TYPE A IS:3067-1972	2			
8	20005569AA	HEX SCREW M6X1X20	2			
9	20005491AA	HEX NUT M6 -8 SA4GS	2			
10	300120785C	BATTERY BOX	1			
11	300173549B	BDS SUPPORT BRACKET	1			
12	20005450AA	SPLIT PIN DIA 5*45	2			
13	20005603AA	HEX HEAD BOLT M8X100_8.8 SA4GS	2			
14	300179785B	FRONT_LOCKING_BKT_2	1			
15	10094809AA	LINCH PIN ASSY	1			
16	10054102AA	BATTERY 12V 110AH 800CCA	1			
17	20005765AA	WASHER A 6.4 IS:5370 STEEL (FOR EPA)	2			
18	300122341A	TOP COVER OF BATTERY BOX	1			
19	300122403A	BDS BOX	1			
20	300181095B	BATTERY MTG BKT ASSY	1			
21	300179767A	HINGE PIN DIA 20	1			
22	20003992AC	HEX BOLT M12X1.75X35	3			
23	20004874AA	HEX NUT M10X1.5 SA3NS	2			
24	20005562AA	HEX HEAD SCREW M10X1.5X30 -8.8 SA4GS	2			
25	20005523AA	PLAIN WASHER A 10.5 IS:5370 STEEL	2			
26	20004993AB	SPRING WASHER B-12TYPE-A IS:3063-1972	3			
27	20005539AA	HEX FLANGE SCREW M8*1.25*20 -8.8 SA4GS	2			
28	200000503A	HEX SCREW M16X2X35 8.8 SA4GS	2			
29	20005456AA	PUNCHED WASHER A(16) IS:2016 STEEL	2			
30	300182432A	SPACER PLATE	1			
31	20005033AB	M/C WASHER 21X 3X37	2			

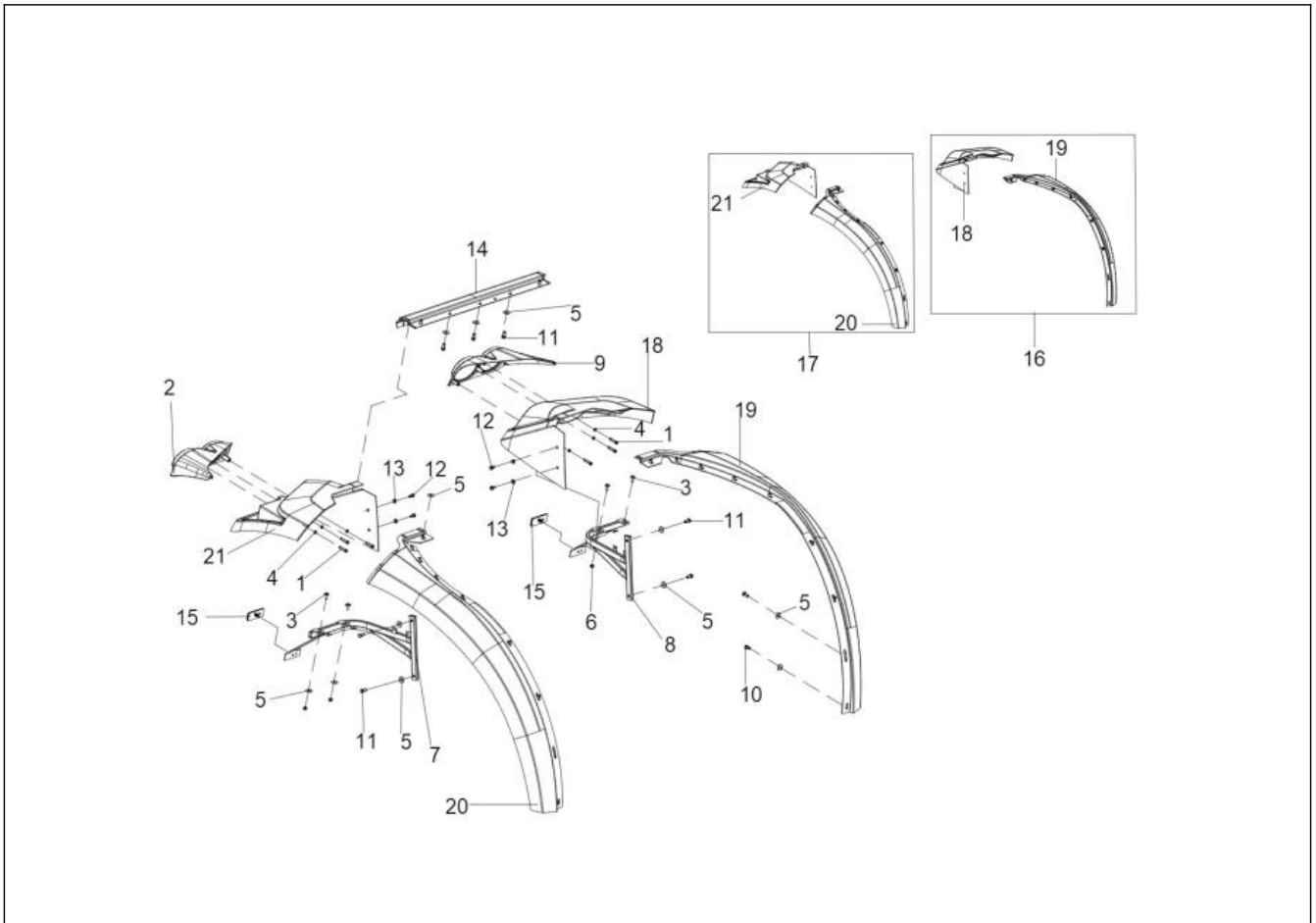
SHEET METAL & OPERATOR AREA  
 SM-18\_\_MUDGUARD ASSY



Sr.No	Part Code	Description	Qty	Int.	Cut Off	Remarks
1	10082903AB	STOPPER PLATE	2			
2	20005330AB	CASTLE NUT M20X1.5 IS:2232	2			
3	300028650A	SLOTTED CHEESE HD SCREW M4*15	6			
4	20005026AB	TAPER ROLLER BEARING (TX- 322005X)	5			
5	20004940AB	M/C WASHER DIA 13*DIA 24*2.5	8			
6	20004376AC	HEX BOLT M12*1.75*50 (GRADE 10.9)SA4NS	4			
7	10067946AB	CROSS SLOTTED TRUSS HEAD SCREW M8X25	8			
8	10085186AA	SPECIAL SQUARE NECK SCREW M8X20	4			
9	10082913AC	TORSIONAL SPRING LH	1			
10	20004994AB	SPRING WASHER B-16 TYPE- A IS:3063-1972	8			
11	10086196AB	STOPPER PIN	2			
12	300031316A	HEX NYLOCK NUT	4			
13	10071692AA	PROTECTION PLUG FOR M12	2			
14	10082821AB	SPACER	8			
15	04030600008	PLAIN WASHER DIA 8.4 *DIA 17*1.6	12			
16	300183063A	FRONT MUDGAURD (FINAL)	2			
17	20003355AE	HEX NUT M8X1.25 -8 SA2JS	8			
18	20005350AA	PUNCHED WASHER A 20 IS:2016 STEEL	2			
19	20005027AB	RUBBER SEAL	2			
20	10082783BB	BASE FRAME ASSY FRONT MUDGUARD LH	1			
21	300143674A	FRONT MUDGAURD FRAME ASSY LH	1			
22	10086197AB	DUST CAP	2			
23	300031136A	HEX BOLT M16X2X65 8.8 SA4NS	8			
24	10086301AB	GASKET (FOR MUDGUARD CAP)	2			
25	20005342AA	SPECIAL BOLT M18X1.5 - 10.9	2			
26	20005351AA	HEX NYLOC NUT M18X1.5 - 10 SA4GS	2			
27	20005562AA	HEX HEAD SCREW M10X1.5X30 -8.8 SA4GS	2			
28	20004917AB	HEX NYLOC NUT M8*1.25 8	4			
29	10071691AA	PROTECTION PLUG FOR M10	2			
30	20005625AA	M/CD WASHER 10.5*21*2	2			
31	10082899CA	BASE ASSY	2			
32	10082782BB	BASE FRAME ASSY RH	1			
33	10082914AC	TORSIONAL SPRING RH	1			
34	300143558A	FRONT MUDGAURD FRAME ASSY RH	1			
35	10085449AC	MOUNTING PLATE FOR FRONT MUDGUARD	4			
36	20005449AA	SPLIT PIN DIA 4*40	2			
37	300140589A	BASE PLATE ASSY	2			

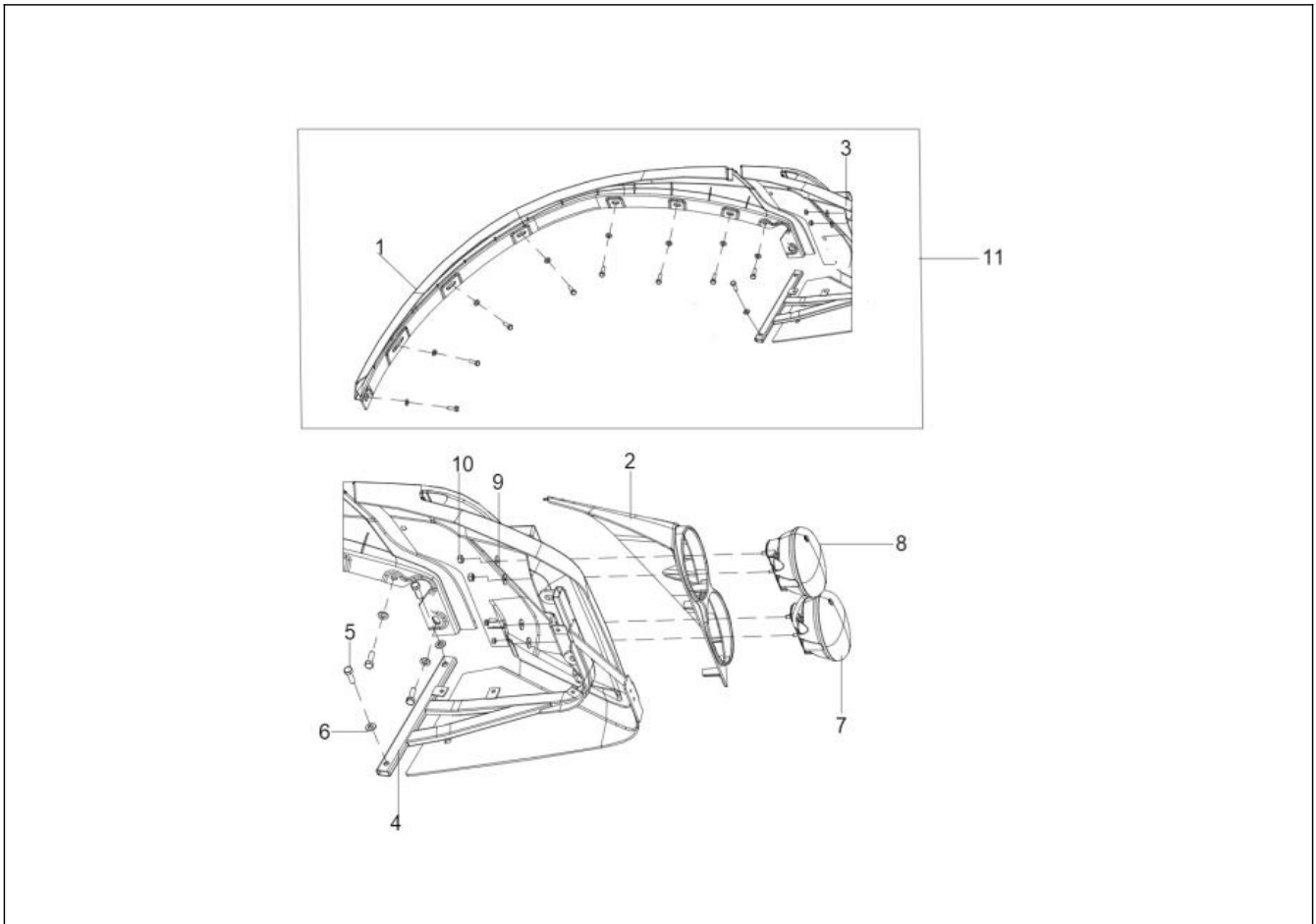


SHEET METAL & OPERATOR AREA  
SM-19\_FENDER LH/RH ASSY



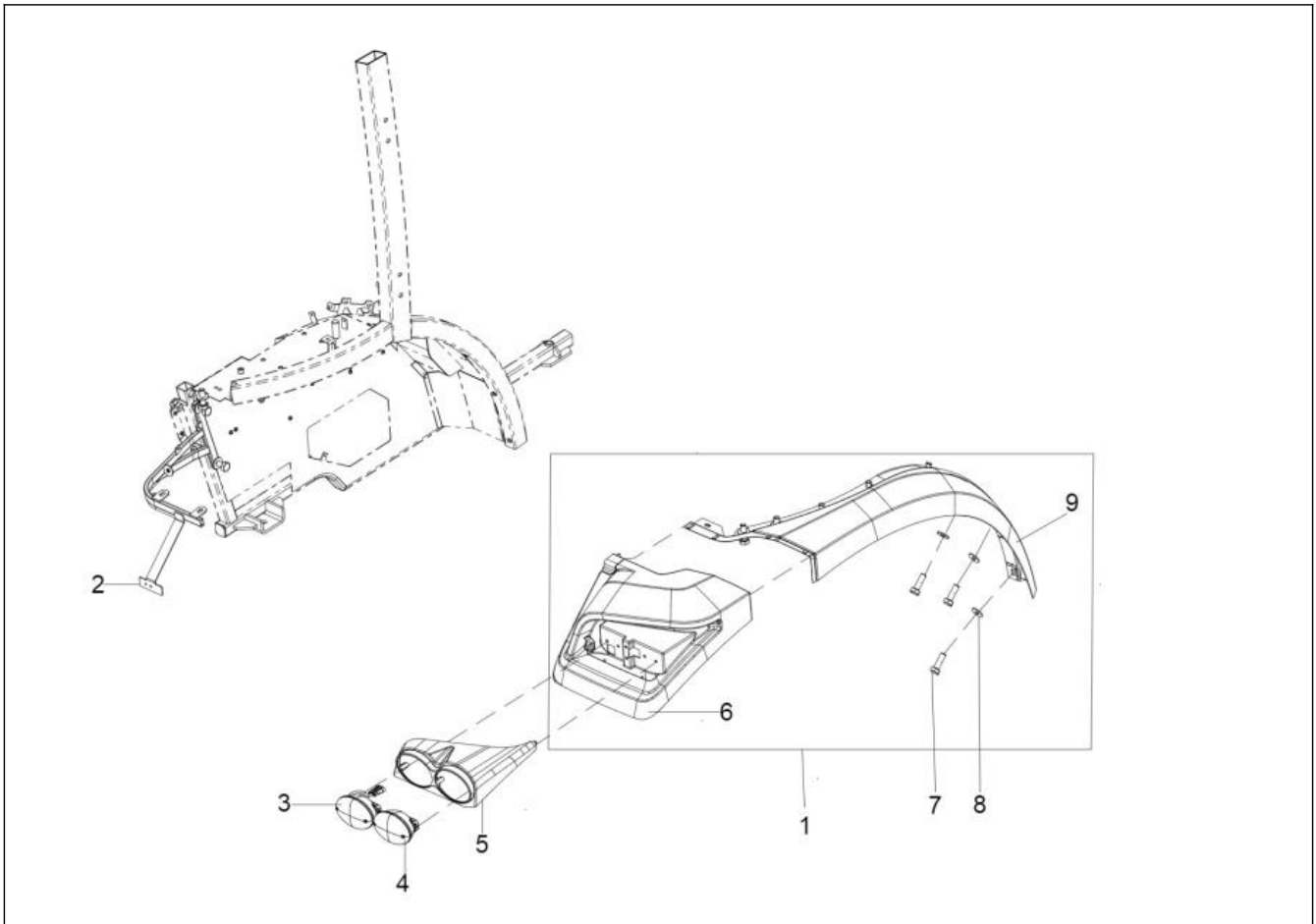
Sr.No	Part Code	Description	Qty	Int.	Cut Off	Remarks
1	20005117AA	HEX SCREW M6X35 8-8 SA3NS	6			
2	300185404B	LIGHT HOUSING RH	1			
3	20003932AB	CROSS SLOTTED TRUSS HEAD SCREW M8(CONTRO	4			
4	20004941AB	M/C WASHER DIA 6.4*DIA 12.4*1.6	6			
5	20004935AB	PLAIN WASHER DIA 8.4 *DIA 17*1.6	31			
6	20005504AA	HEX NUT M8X1.25 -8 SA4GS	4			
7	300190003B	FENDER MTG BKT RH	1			FOR ROPS
7	300187389B	FENDER MTG BKT ASSY RH	1			FOR CABIN
8	300189987B	FENDER MTG BKT ASSY	1			FOR ROPS
8	300184293B	FENDER MTG BKT ASSY LH	1			FOR CABIN
9	300185382B	LIGHT HOUSING LH	1			
10	20005559AA	HEX HEAD SCREW M8X1.25X16 -8.8 SA4GS	18			
11	20005565AA	HEX HEAD SCREW M8X1.25X20 -8.8 SA4GS	9			
12	20005542AA	HEX FLANGE SCREW M6*1*16 -8.8 SA4GS	4			
13	300189902A	M/C WASHER B8	4			
14	300319659A	FENDER MIDDLE MEMBER PAINTED	1			
15	300023214A	REFLEX REFLECTOR	2			
16	300319713A	3CYL STAGE V FENDER ASSY LH-BLUE COLOR	1			
16	300319718A	3CYL STAGE V FENDER ASSY LH-RED COLOR	1			
17	300319721A	3CYL STAGE V FENDER ASSY RH-BLUE COLOR	1			
17	300319724A	3CYL STAGE V FENDER ASSY RH-RED COLOR	1			
18	300185750B	FENDER REAR LH	1			CHILD PART OF S.NO. 16
19	300184987A	3 CYL STAGE V OUTER FENDER LH FRONT	1			CHILD PART OF S.NO. 16
20	300184998A	3 CYL STAGE V OUTER FENDER ASSY RH FRONT	1			CHILD PART OF S.NO. 17
21	300187360B	FENDER REAR RH	1			CHILD PART OF S.NO. 17

SHEET METAL & OPERATOR AREA  
SM-20\_OUTER FENDER LH CABIN



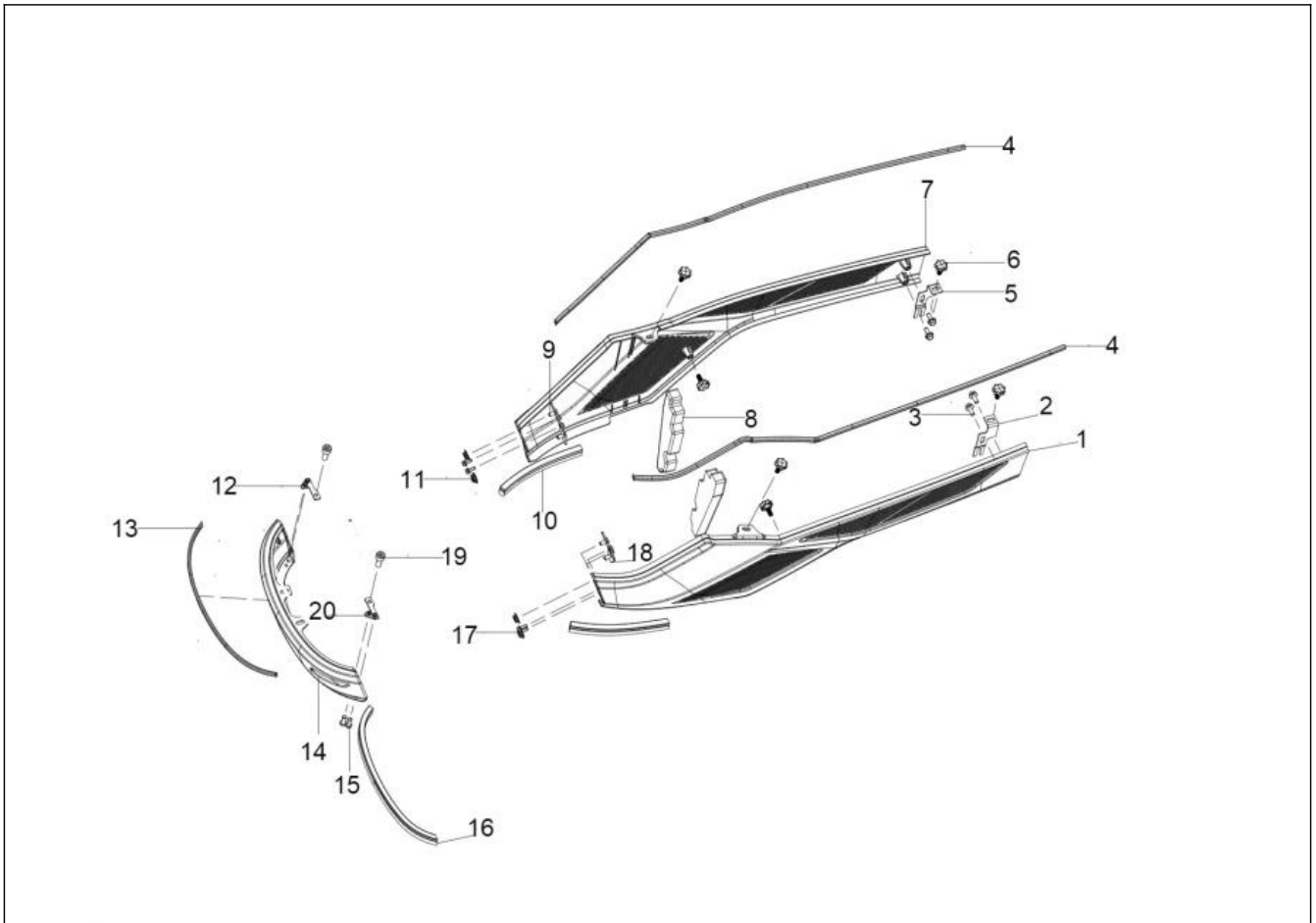
Sr.No	Part Code	Description	Qty	Int.	Cut Off	Remarks
1	300184987A	3 CYL STAGE V OUTER FENDER LH FRONT	1			CHILD PART OF SR.NO.11
2	300185382B	LIGHT HOUSING LH	1			
3	300185750B	FENDER REAR LH	1			CHILD PART OF SR.NO.11
4	300184293B	FENDER MTG BKT ASSY LH	1			
5	20004977AA	HEX HEAD SCREW M8X1.25X25	11			
6	04030600008	PLAIN WASHER DIA 8.4 *DIA 17*1.6	11			
7	300233621B	ELLIPTICAL LAMP REAR COBO 21971	1			
8	300239396A	ELLIPTICAL LAMP INDICATOR COBO 030664	1			
9	20005524AA	PLAIN WASHER A 6.4 IS:5370 STEEL	4			
10	300028453A	HEX NUT M5-8 SA2JS	4			
11	300319713A	3CYL STAGE V FENDER ASSY LH-BLUE COLOR	1			
11	300319718A	3CYL STAGE V FENDER ASSY LH-RED COLOR	1			

SHEET METAL & OPERATOR AREA  
SM-21\_OUTER FENDER RH CABIN



Sr.No	Part Code	Description	Qty	Int.	Cut Off	Remarks
1	300319721A	3CYL STAGE V FENDER ASSY RH-BLUE COLOR	1			
1	300319724A	3CYL STAGE V FENDER ASSY RH-RED COLOR	1			
2	300187389B	FENDER MTG BKT ASSY RH	1			
3	300233621B	ELLIPTICAL LAMP REAR COBO 21971	1			
4	300239396A	ELLIPTICAL LAMP INDICATOR COBO 030664	1			
5	300185404B	LIGHT HOUSINGH RH	1			
6	300187360B	FENDER REAR RH	1			CHILD PART OF SR.NO.1
7	20004977AA	HEX HEAD SCREW M8X1.25X25	11			
8	04030600008	PLAIN WASHER DIA 8.4 *DIA 17*1.6	4			
9	300184998A	3 CYL STAGE V OUTER FENDER ASSY RH FRONT	1			CHILD PART OF SR.NO.1

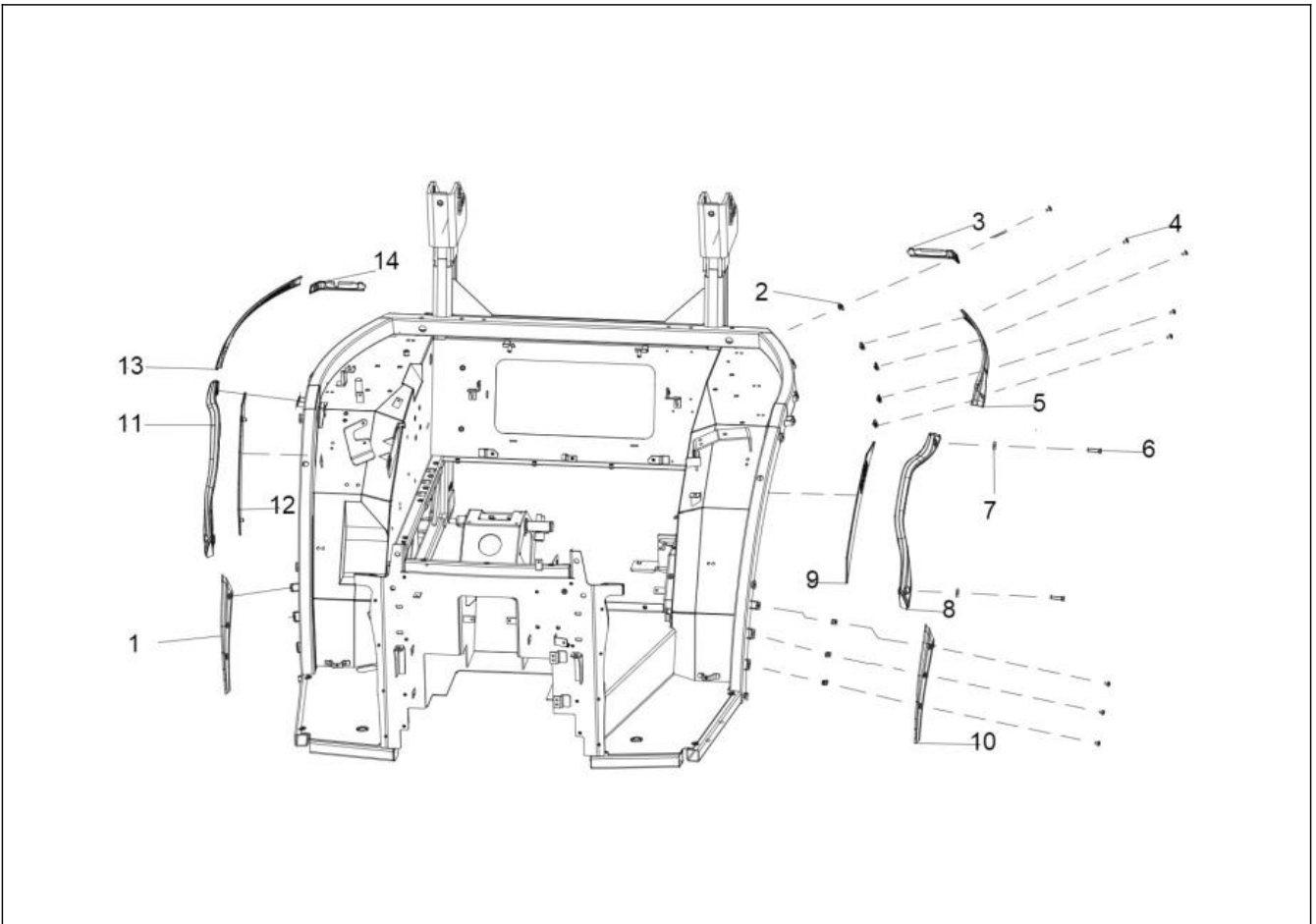
SHEET METAL & OPERATOR AREA  
SM-22\_SIDE CLADDING



Sr.No	Part Code	Description	Qty	Int.	Cut Off	Remarks
1	300190324D	LOWER SIDE CLADING LH STAGE V	1			
2	300173784B	REAR MTG BKT	1			
3	20005539AA	HEX FLANGE SCREW M8*1.25*20 -8.8 SA4GS	4			
4	300189726A	BEADING SIDE PANNEL	1			
5	300173795B	REAR MTG BKT RH	1			
6	10093639AA	HAND KNOB	6			
7	300190634D	LOWER SIDE CLADING RH STAGE V	1			
8	300170947D	SIDE SEALING FOAM	2			
9	300173430B	GUIDE BKT ASSEMBLY FOR SIDE CLADING RH	1			
10	300189902A	M/C WASHER B8	1			
11	300171714A	GROMMET COVER MTG	4			
12	300273515A	BRACKET CLADDING MTG ASSY RH	1			
13	300189695A	BEADING FRONT PANNEL	1			
14	300185484D	LOWER FRONT PANNEL STAGE V	1			
15	20005113AA	TRUSS PHILIPS M/S SCREW (M6X15)	4			
16	300189915A	FRONT BOTTOM BONNET BEADING	1			
17	20005542AA	HEX FLANGE SCREW M6*1*16 -8.8 SA4GS	4			
18	300173405B	GUIDE BKT ASSEMBLY FOR SIDE CLADING LH	1			
19	10084734AA	SOCKET HEAD CAP SCREW M6X15	2			
20	300273037A	BRACKET CLADDING MTG ASSY LH	1			

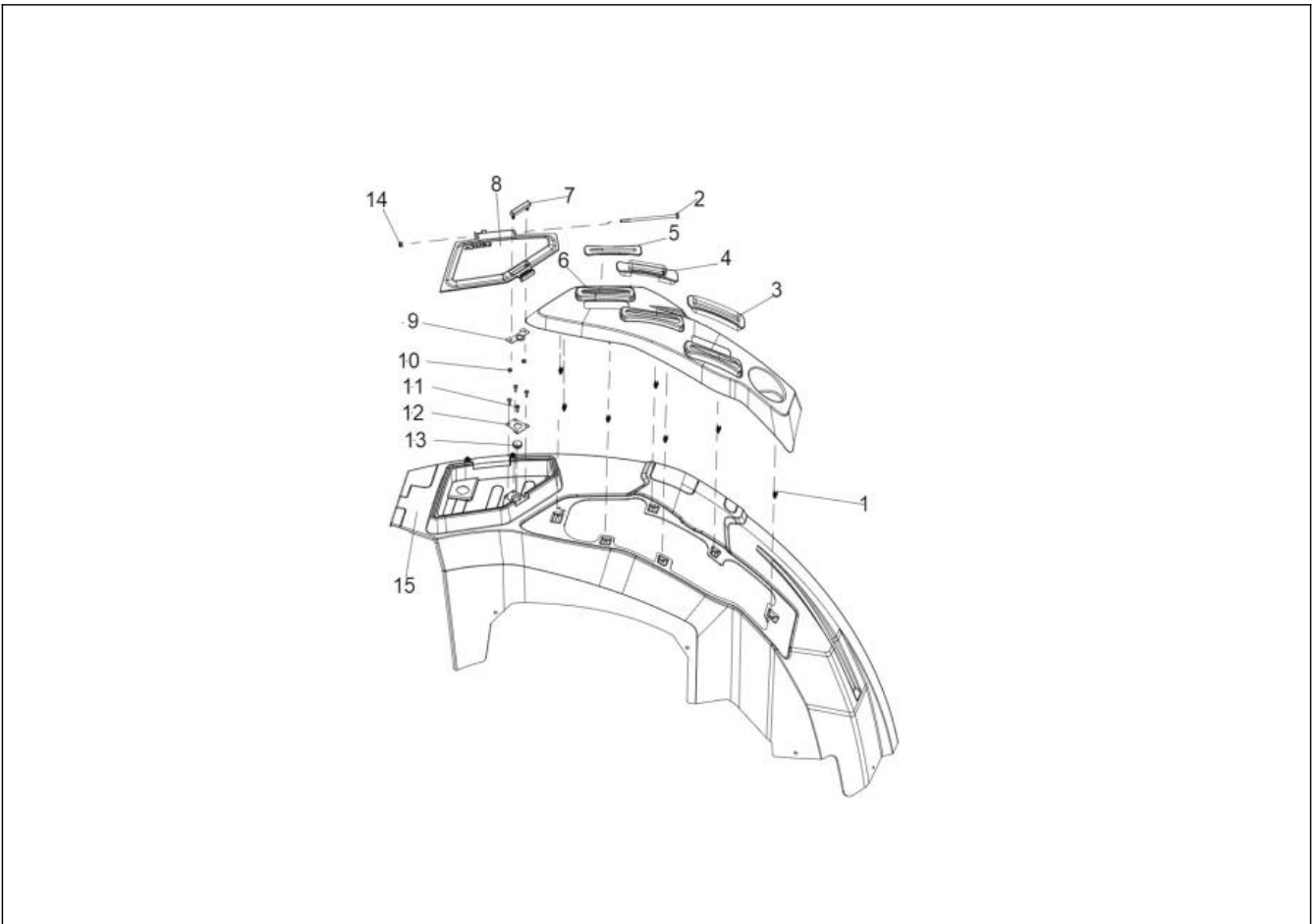


SHEET METAL & OPERATOR AREA  
SM-23\_GRAB HANDLE



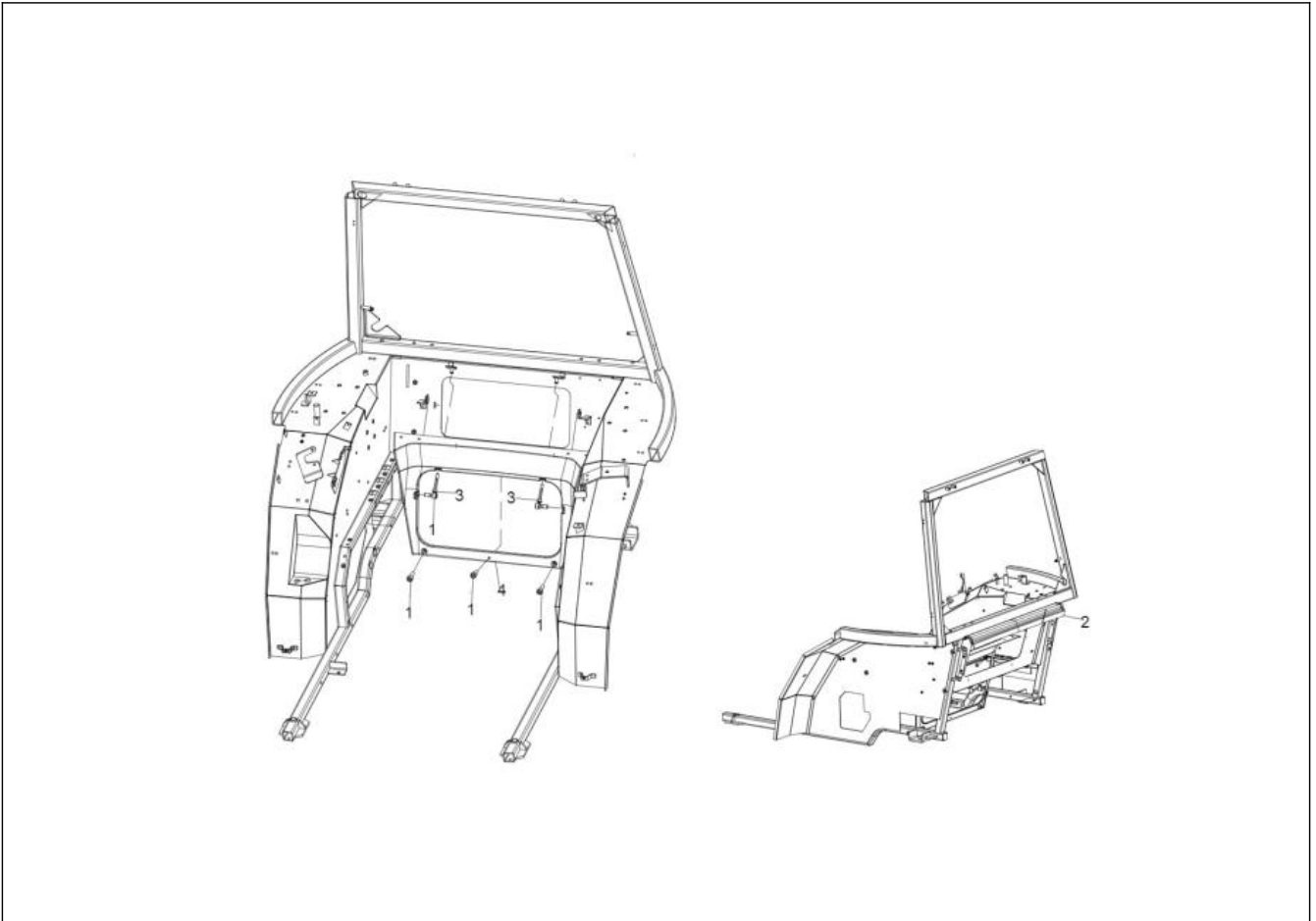
Sr.No	Part Code	Description	Qty	Int.	Cut Off	Remarks
1	300209582D	LOWER SIDE RAIL RH	1			
2	10056266AA	M6 CLIP NUT	16			
3	300209293D	REAR GRAB RAIL LH	1			
4	20004866AB	CROSS SLOTTED TRUSS HEAD SCREW M6X12	16			
5	300209308D	SIDE GRAB RAIL LH	1			
6	20005567AA	HEX SCREW M8X1.25X35 8.8 SA4GS	4			
7	20004935AB	PLAIN WASHER DIA 8.4 *DIA 17*1.6	4			
8	300209020B	GRAB HANDLE LH	1			
9	300209021A	SIDE BEZEL LH	1			
10	300214753D	SIDE RAIL LOWER LH	1			
11	300209121B	GRAB HANDLE RH	1			
12	300209123A	SIDE BEZEL RH	1			
13	300209585D	SIDE GRAB RAIL RH	1			
14	300209591D	GRAB RAIL RH REAR	1			

SHEET METAL & OPERATOR AREA  
SM-24\_LH CONSOLE



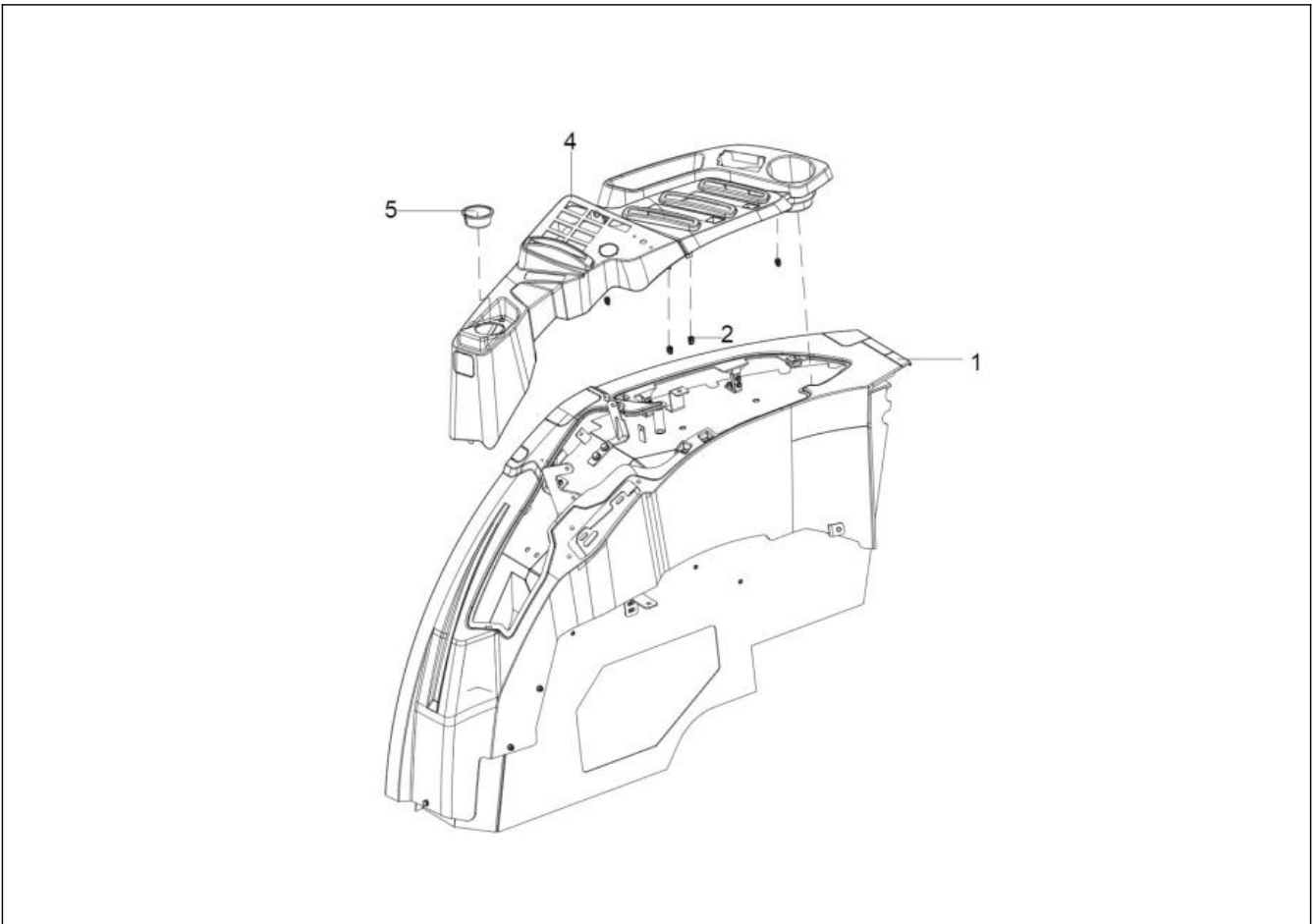
Sr.No	Part Code	Description	Qty	Int.	Cut Off	Remarks
1	10093576AA	PLASTIC PANNEL CLIP	7			
2	300184068A	ROD	1			
3	300292116A	GROMMET FOR PTO	1			
4	300292120A	CREEPER LEVER GROMMET	1			
5	300283665A	540 AND 540E GROMMET	1			
6	300182691D	LH LEVER COVER	1			
7	300188329C	CHROME COVER	1			
8	300181143D	UTILITY COVER	1			
9	300187925B	LID STRIP	1			
10	20003353AA	NUT H M5 8 SA2JS	2			
11	10085717AA	CROSS RECESSED PAN HEAD TAPPING SCREW M4.8X16	4			
12	300185531A	COVER FOR MAGNET	1			
13	300251445A	MAGNET	1			
14	20003374AB	HEX NYLOCK NUT M 5	1			
15	300188856E	LH CONSOLE 50_60	1			

SHEET METAL & OPERATOR AREA  
SM-25\_REAR CONSOLE



Sr.No	Part Code	Description	Qty	Int.	Cut Off	Remarks
1	04040306016	ALLEN BOLT M6X1PX16L_8.8	5			
2	300184288A	FENDER MIDDLE MEMBER UNPAINTED	1			
3	10081605AA	CROSS SLOTTED TRUSS HEAD SCREW M6X40	2			
4	300189742C	REAR PANEL STAGE 50_60	1			

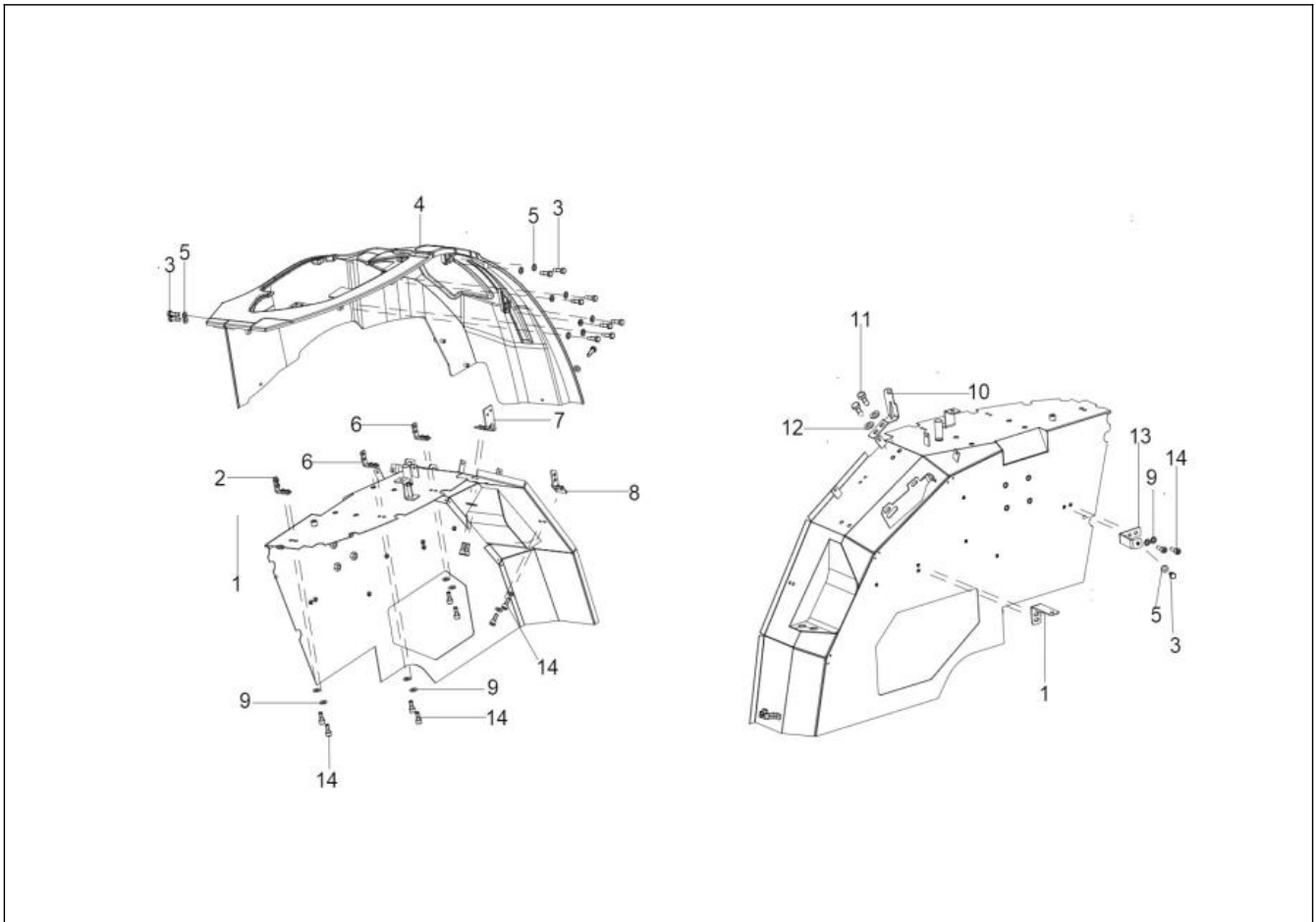
SHEET METAL & OPERATOR AREA  
SM-26\_RH CONSOLE MTG ASSY



Sr.No	Part Code	Description	Qty	Int.	Cut Off	Remarks
1	300190414E	RH CONSOLE 50_60	1			
2	10093576AA	PLASTIC PANNEL CLIP	4			
4	300185089D	RH LEVER COVER	1			
5	300187174C	JOY STICK CAP 2	1			

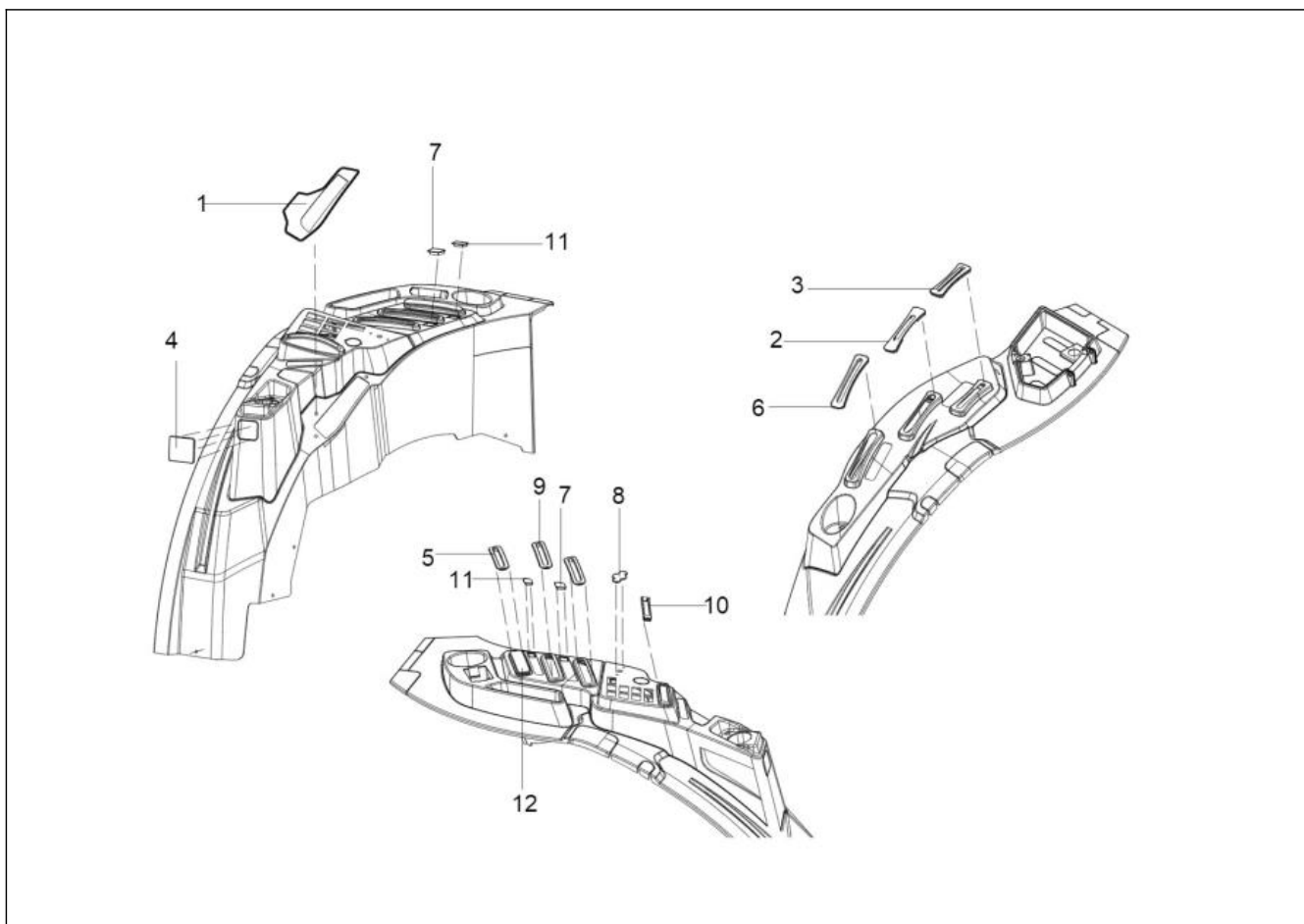


SHEET METAL & OPERATOR AREA  
SM-27\_RH CONSOLE



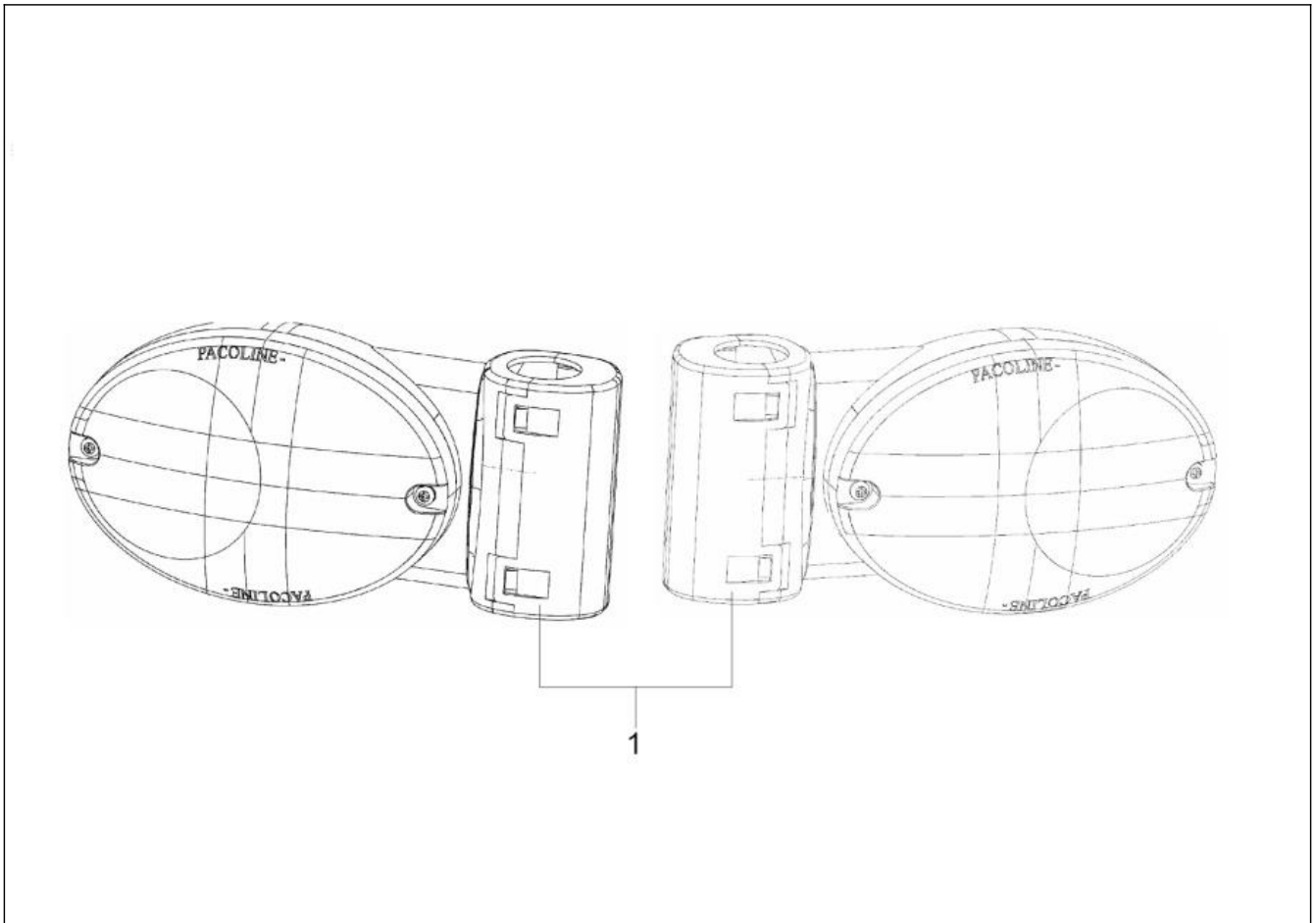
Sr.No	Part Code	Description	Qty	Int.	Cut Off	Remarks
1	300187791A	RH BOTTOM CONSOLE MTG BRKT FRONT	1			
2	300183036A	WA CONSOLE MTG BKT	1			
3	20005569AA	HEX SCREW M6X1X20	12			
4	300190414E	RH CONSOLE 50_60	1			
5	20004941AB	M/C WASHER DIA 6.4*DIA 12.4*1.6	12			
6	300187059A	WA CONSOLE BKT RH	2			
7	300188708B	WA RH CONSOLE BKT	1			
8	300188682B	WA RH CONSOLE MTG BKT	1			
9	04030800006	M/CD WASHER DIA 6.4 *DIA 12.4*1.6	14			
10	300280894B	RH COVER MOUNTING L-BKT	1			
11	20005565AA	HEX HEAD SCREW M8X1.25X20 -8.8 SA4GS	2			
12	04030600008	PLAIN WASHER DIA 8.4 *DIA 17*1.6	2			
13	300191385B	WA REAR MTG BKT 50_60	1			
14	10084734AA	SOCKET HEAD CAP SCREW M6X15	1			

SHEET METAL & OPERATOR AREA  
SM-28\_GROMMET INSTALLATION



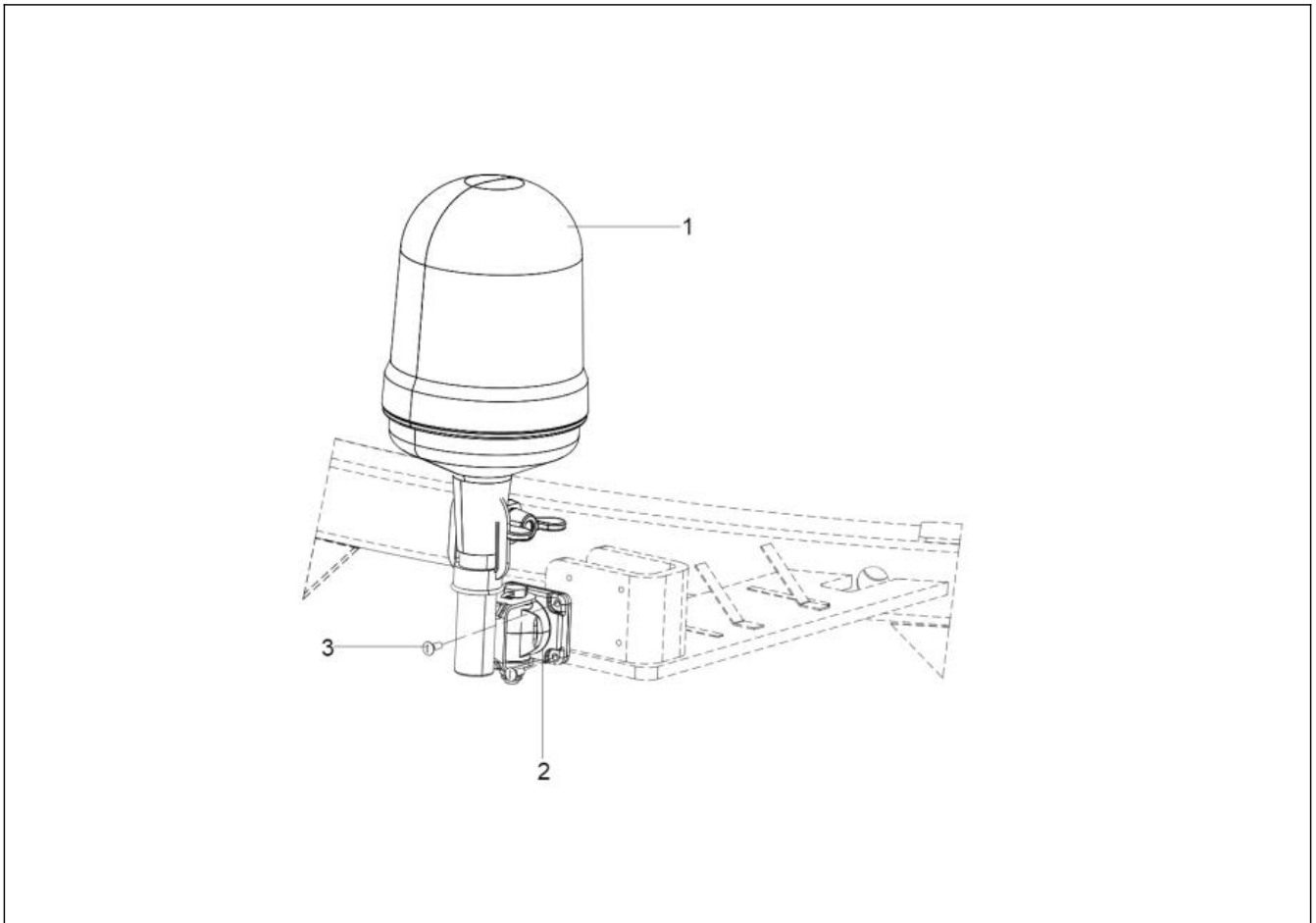
Sr.No	Part Code	Description	Qty	Int.	Cut Off	Remarks
1	300283761A	LIFTOMATIC GROMMET	1			
2	300292120A	CREEPER LEVER GROMMET	1			
3	300283665A	540 AND 540E GROMMET	1			
4	300282412A	JOYSTICK GROMMET	1			
5	300284076A	DCV GROMMET 3 OPEN	1			
6	300292116A	GROMMET FOR PTO	1			
7	300280743A	GROMMET DCV 1	1			
8	300283278A	SWITCH GROMMET	1			
9	300283148A	DCV LEVER GROMMET	2			
10	300283756A	HAND ACCE GROMMET	1			
11	300280787A	GROMMET DCV 2	1			
12	300283755A	DCV GROMMET CLOSED	1			

SHEET METAL & OPERATOR AREA  
SM-29\_FRONT INDICATOR LAMP



Sr.No	Part Code	Description	Qty	Int.	Cut Off	Remarks
1	10087417AC	FRONT INDICATOR LAMP	2			

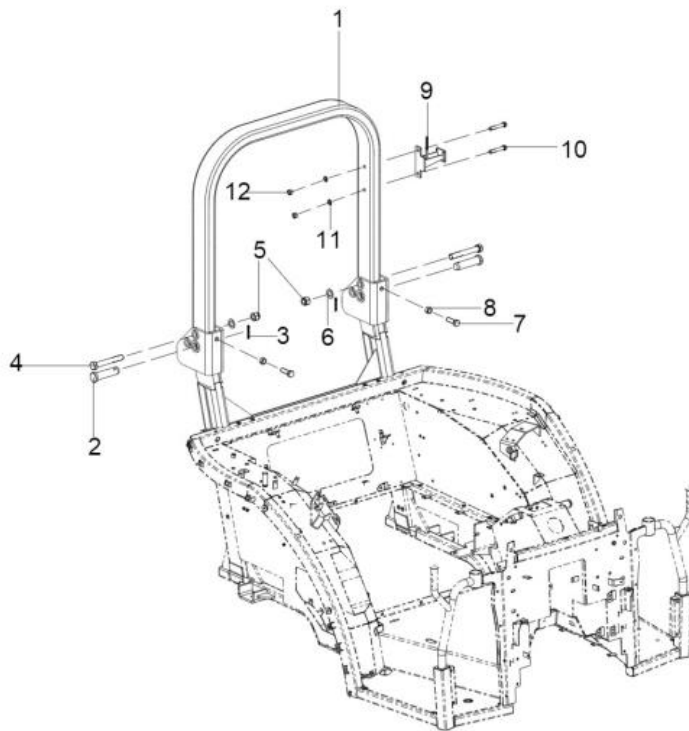
SHEET METAL & OPERATOR AREA  
SM-30\_REVOLVING LIGHT



Sr.No	Part Code	Description	Qty	Int.	Cut Off	Remarks
1	10054276AA	REVOLVING LIGHT (DETACHABLE)	1			
2	10054277AA	MOUNTING BRACKET( DETACHABLE REVOLVING LIGHT)	1			
3	10083042AB	SLOTTED CHEESEHEAD SCREW M4X30	4			

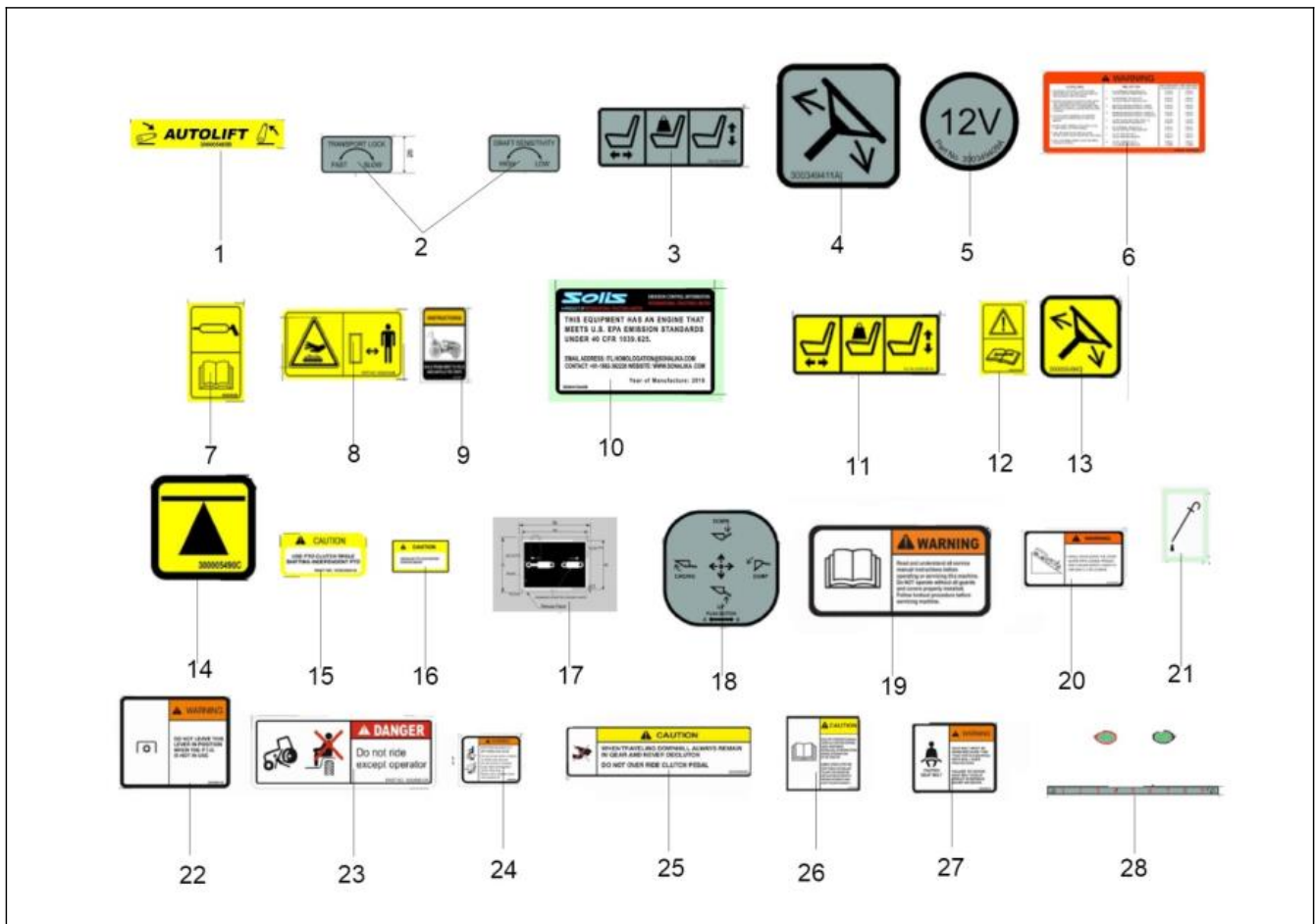


SHEET METAL & OPERATOR AREA  
SM-31\_ROPS



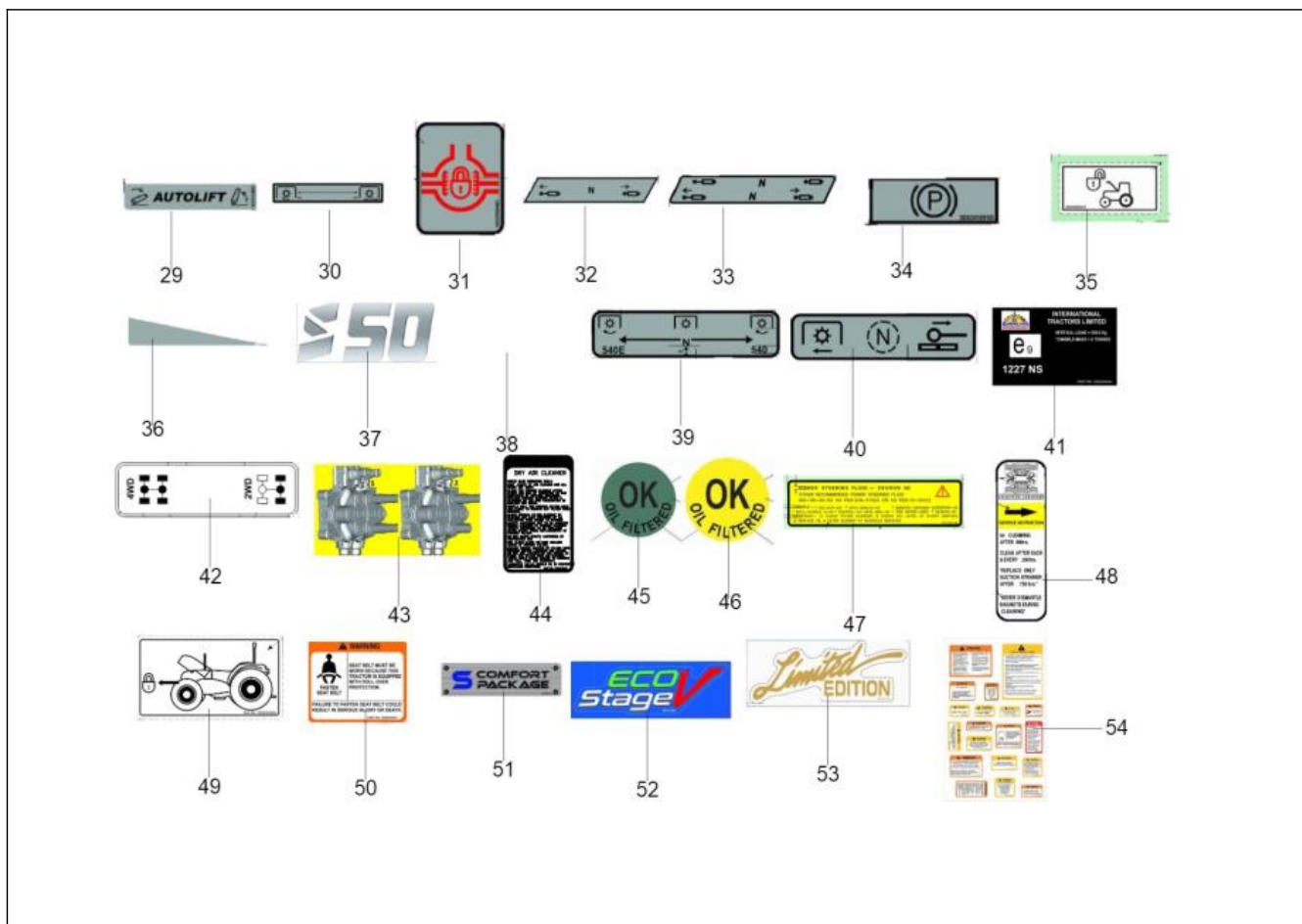
Sr.No	Part Code	Description	Qty	Int.	Cut Off	Remarks
1	300139763A	ROLL OVER PROTECTION STRUCTURE ASSY	1			
2	10014839AB	PIVOT PIN (FOR ROPS)	2			
3	20005450AA	SPLIT PIN DIA 5*45	2			
4	20004593AB	HEX HEAD BOLT M20*2.5*140 SA4GS	2			
5	20005460AA	HEX NYLOCK NUT M 20 SA4GS	2			
6	300030448A	FLAT WASHER N8-22 SA4GS	2			
7	20005467AA	HEX SCREW M16X2X50 8.8 SA4GS	2			
8	20005493AA	HEX NUT M16X2 -8 SA4GS	2			
9	10087361AB	BRACKET MOUNTING BEACON LIGHT	1			
10	20003228AB	HEX. BOLT M12X1.75X70 8-8 SA3NS	2			
11	20004993AB	SPRING WASHER B-12TYPE-A IS:3063-1972	2			
12	20003358AE	HEX NUT M12X1.75 -8 SA4GS	2			

DECALS & ACCESSORIES  
AC-1-4\_STICKERS



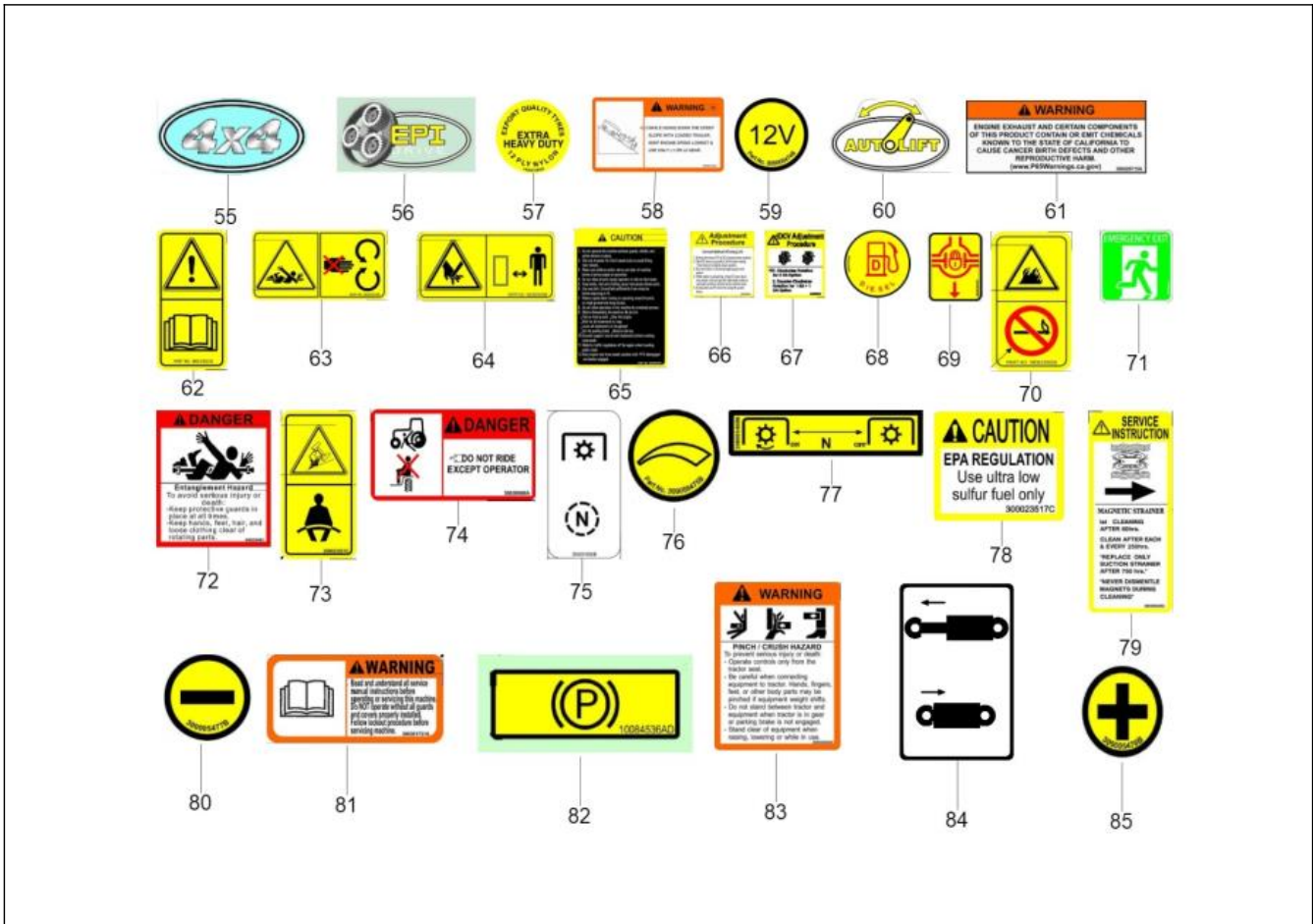
Sr.No	Part Code	Description	Qty	Int.	Cut Off	Remarks
1	300005465B	AUTOLIFT STICKER	1			
2	300349407A	TRANSPORT & DRAFT SENSIVITY	1			
3	300349413A	STICKER FOR SEAT ADJUSTMENT	1			
4	300349411A	STICKER FOR STEERING TILT	1			
5	300349409A	STICKER FOR 12V	1			
6	300346342A	TYRE PRESSURE DECAL	1			
7	300005502B	STICKER FOR GREASING POINT	1			
8	300023524B	STICKER FOR STAY AWAY FROM HOT SURFACE	1			
9	300107941A	ROPS GRASPING AREA STICKER	1			
10	300041844B	EMISSION CONTROL STICKER				
11	300005501B	STICKER FOR SEAT ADJUSTMENT & WEIGHT	1			
12	300005504B	STICKER FOR SERVICE	1			
13	300005496C	STICKER FOR STEERING TILT	1			
14	300005490C	STICKER FOR JACK POINT	1			
15	300040661A	STICKER FOR INDEPENDENT PTO	1			
16	10084548AC	STICKER FOR PTO INSTRUCTION	1			
17	300185539B	STICKER FOR QRC	1			
18	300289706A	LOADER DECAL 50HP	1			
19	300289618A	DECAL FOR OPERATOR MANUAL	1			
20	300289596A	STEEP SLOPE INSTRUCTION DECAL	1			
21	300291675A	DECAL FOR DIPSTICK	1			
22	300289614A	DECAL FOR PTO INSTRUCTION	1			
23	300289612A	DECAL FOR FENDER WARNING	1			
24	300289608A	DECAL FOR RIDING INSTRUCTION	1			
25	300289605A	DECAL FOR USE OF CLUTCH	1			
26	300289599A	DECAL FOR TRACTOR USE	1			
27	300289593A	SEAT BELT INSTRUCTION DECAL	1			
28	300185556C	STICKER FOR DRAFT POSITION INDICATION	1			

DECALS & ACCESSORIES  
AC-2-4\_STICKERS



Sr.No	Part Code	Description	Qty	Int.	Cut Off	Remarks
29	300291498B	DECAL FOR AUTOLIFT	1			
30	300185549C	STICKER FOR IPTO	1			
31	300289094B	DECAL FOR DIFF LOCK	1			
32	300185537D	STICKER DCV LEVER3	1			
33	300185534C	STICKER DCV LEVER 1&2	1			
34	300289099B	DECAL FOR PARKING BRAKE	1			
35	300289093A	DECAL FOR BONNET LOCK	1			
36	300185580C	STICKER FOR HAND THROTTLE	1			
37	300145930A	LOGO S-50	1			
38	300414418A	LIMITED EDITION STICKER(152.5*61) DOME	1			FOR LIMITED EDITION
39	300185551B	STICKER FOR PTO RPM	1			
40	300185555B	STICKER FOR GROUND/LIVE PTO	1			
41	300179165A	E-MARK STICKER FOR SWINGING DRAWBAR	1			
42	10024280AB	STICKER 4WD	1			
43	10012034AA	STICKER FOR DCV	1			
44	10070429AE	STICKER FOR DRY AIR-CLEANER	1			FOR LIMITED EDITION
45	10004899AB	STICKER OK FILTERED (FOR DRAIN PLUG)	1			
46	10002428AB	STICKER OK FILTER	1			
47	300180603B	STICKER FOR STEERING TANK	1			
48	10054213AC	STICKER FOR MAGNETIC STRAINER	1			
49	300005506A	STICKER FOR BONNET LOCK OPEN DECK	1			
50	300005483A	STICKER FOR SEAT BELT INSTRUCTION	1			
51	300144014A	STICKER S COMFORT PACKAGE	1			
52	300173764A	STICKER - ECO STAGE -V	1			
53	300414417A	LIMITED EDITION STICKER(152.5*61) VINYL	1			FOR LIMITED EDITION
54	10070785AD	INSTRUCTION STICKER FOR SET OF 7	1			

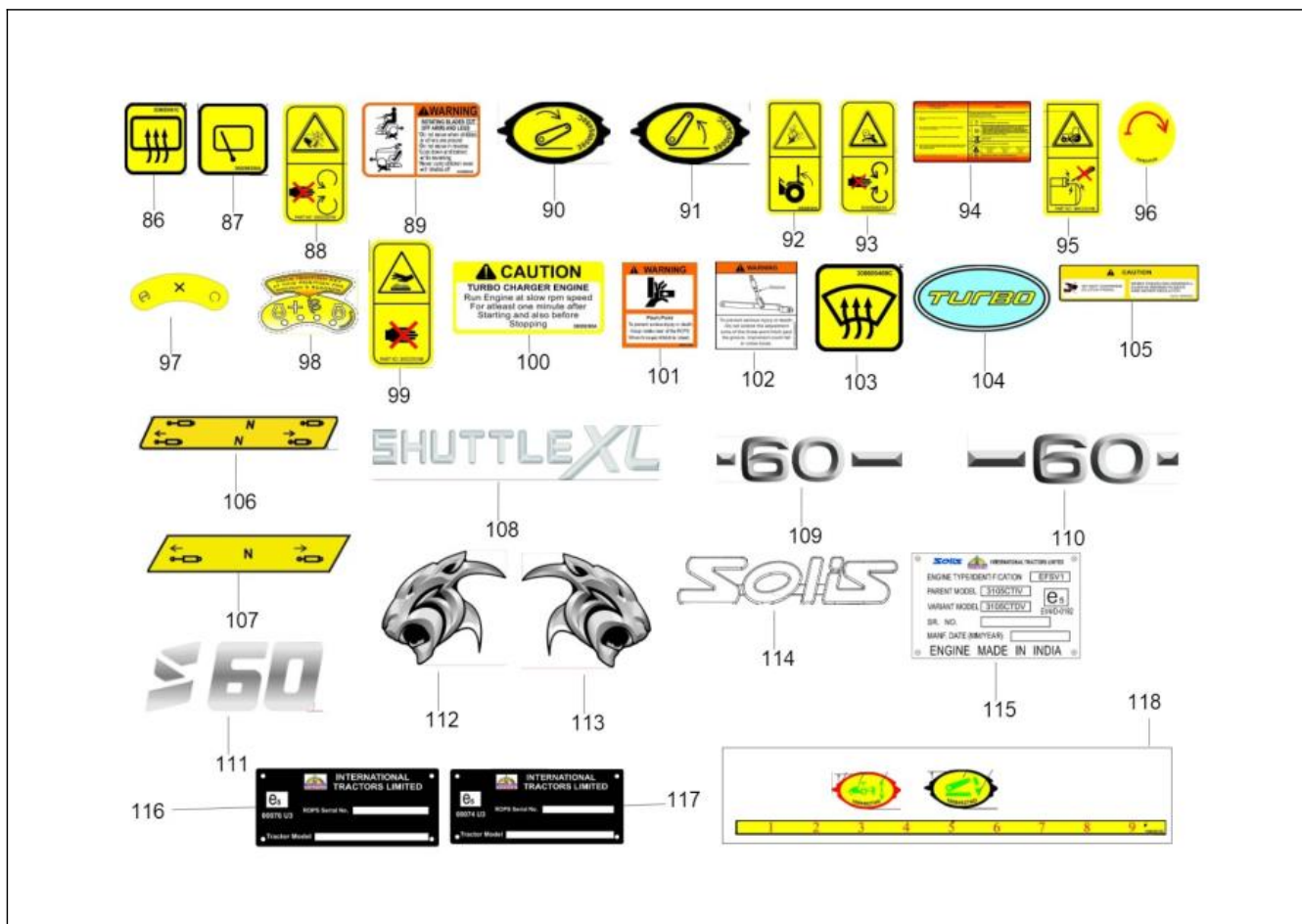
DECALS & ACCESSORIES  
AC-3-4\_STICKERS



Sr.No	Part Code	Description	Qty	Int.	Cut Off	Remarks
55	10014055AD	STICKER 4X4	1			
56	10014060AE	STICKER EPI	1			
57	10005010AD	STICKER EXTRA HEAVY	1			
58	300300144A	STICKER FOR STEEP SLOPE	1			
59	300005474B	STICKER FOR 12V	1			
60	300005464B	STICKER FOR AUTOLIFT	1			
61	300229715A	STICKER FOR CARB REQUIREMENT(TRACTOR)	1			
62	300023520B	STICKER FOR CAUTION FOR OPERATOR MANUAL	1			
63	300023518B	STICKER FOR CAUTION OF ROTATING PARTS	1			
64	300023525B	STICKER FOR CAUTION FOR TOUCHING PARTS	1			
65	300298338A	STICKER FOR CAUTION OF READ OPERATOR MANUAL	1			
66	300289828A	STICKER FOR CORRECT METHOD OF USING LIFT	1			
67	300023523C	STICKER FOR DCV ADJUSTMENT PROCEDURE	1			
68	300005466B	STICKER FOR DIESEL FUEL	1			
69	300005470B	STICKER FOR DIFF LOCK	1			
70	300023502B	STICKER FOR DO NOT LIGHT	1			
71	300289821A	STICKER FOR EMERGENCY EXIT	1			
72	300025896C	STICKER FOR ENTANGLEMENT HAZARD	1			
73	300023521C	STICKER FOR FASTEN SEAT BELT	1			
74	300289986A	STICKER FOR FENDER WARNING	1			
75	300031830B	STICKER FOR GROUND INDEPENDENT POSITION	1			
76	300005475B	STICKER FOR HAND ACCELERATOR	1			
77	300005469B	STICKER FOR IPTO	1			
78	300023517C	STICKER FOR LOW SULPHUR FUEL	1			
79	300300220A	STICKER FOR MAGNETIC STRAINER	1			
80	300005477B	STICKER FOR MINUS	1			
81	300301731A	STICKER FOR OPERATOR MANUAL INSTRUCTION	1			
82	10084536AD	STICKER FOR PARKING BRAKE	1			
83	300028004D	STICKER FOR PINCH & CRUSH HAZARD	1			
84	10083183AB	STICKER FOR QRC	1			
85	300005476B	STICKER FOR PLUS	1			

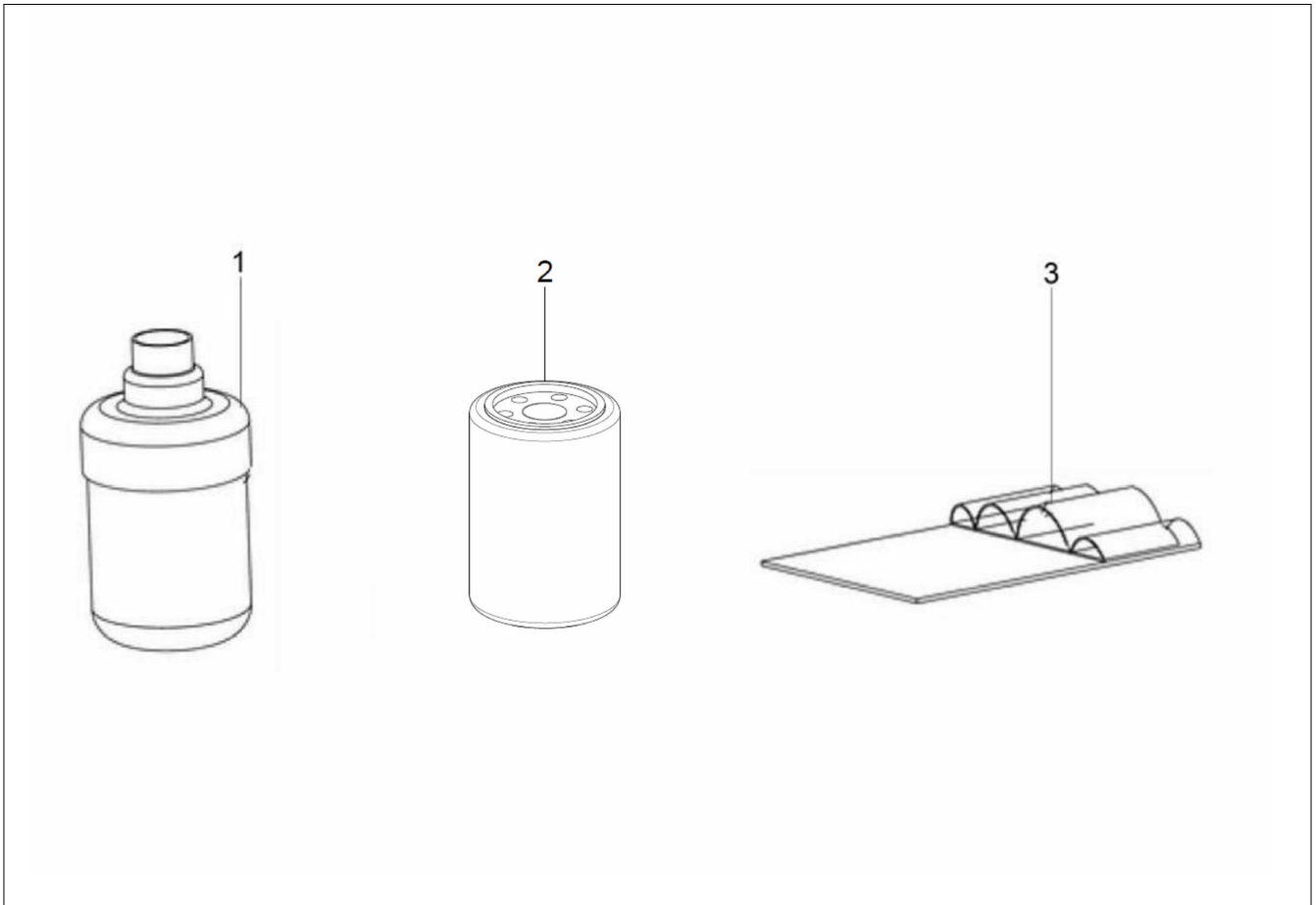


DECALS & ACCESSORIES  
AC-4-4\_STICKERS



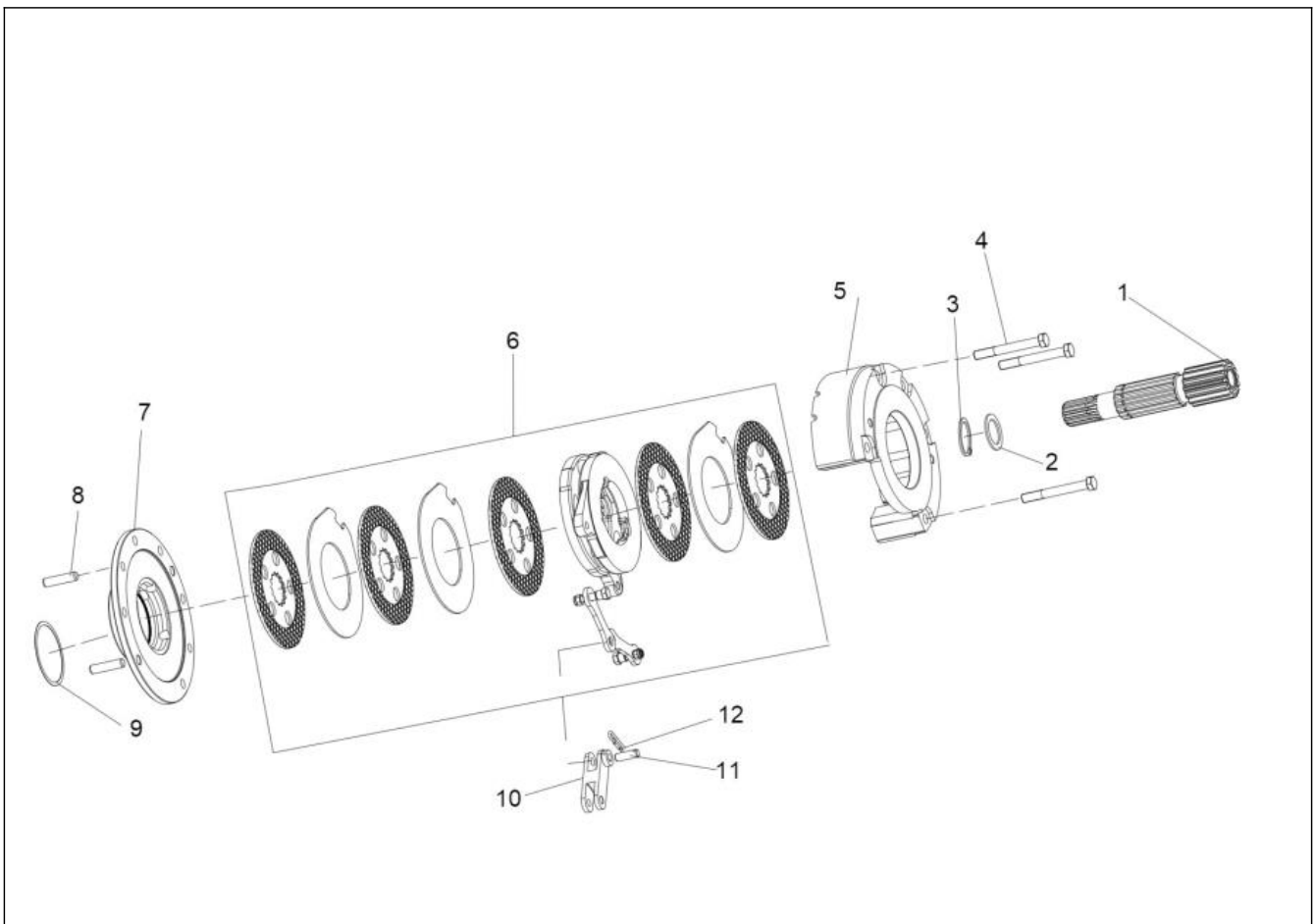
Sr.No	Part Code	Description	Qty	Int.	Cut Off	Remarks
86	300005491C	STICKER FOR REAR WINDOW DEMISTER	1			
87	300298526A	STICKER FOR REAR WINDOW WIPER	1			
88	300023501B	STICKER FOR REMOVING SHIELD WHEN ENGINE	1			
89	300295695A	STICKER FOR RIDING INSTRUCTION	1			
90	300005480C	STICKER FOR ROCK SHAFT DOWN	1			
91	300005479C	STICKER FOR ROCK SHAFT UP	1			
92	300298339A	STICKER FOR ROPS	1			
93	300289825A	STICKER FOR ROTARY PARTS	1			
94	300005485A	STICKER FOR SERVICE & LIFT	1			
95	300023519B	STICKER FOR START ENGINE FROM OPERATOR S	1			
96	300028103B	STICKER FOR START IGNITION	1			
97	10053797AB	STICKER FOR STARTING CONTROL	1			
98	300005467B	STICKER FOR STARTING CONTROL	1			
99	300023504B	STICKER FOR STAY CLEAR FROM THE HOT SURF	1			
100	300292365A	STICKER FOR TURBO CHARGER ENGINE	1			
101	300023528C	STICKER FOR WARNING OF HAND AWAY FROM RO	1			
102	300023527C	STICKER FOR WARNING OF THREE POINT HITCH	1			
103	300005489C	STICKER FOR WIND SCREEN	1			
104	10014056AE	TURBO STICKER	1			
105	10084550AD	WARNING STICKER FOR CLUTCH	1			
106	300185534B	DECAL FOR DCV LEVER 1&2	1			
107	300185537C	DECAL FOR DCV LEVER3	1			
108	300268828A	SHUTTLE XL DECAL	1			
109	300024032A	LOGO LH FOR 60	1			
110	300024033A	LOGO RH FOR 60	1			
111	300361528A	LOGO S 60	1			
112	300418563A	PANTHER LOGO PASTING TYPE LH	1			FOR LIMITED EDITION
113	300418574A	PANTHER LOGO PASTING TYPE RH	1			FOR LIMITED EDITION
114	300192446D	SOLIS LOGO FRONT	1			
115	300256785A	ENGINE DATA PLATE FOR STAGE V 50/58 HP	1			
116	300268370A	CABIN DATA PLATE STAGE V	1			
117	300266465A	ROPS DATA PLATE STAGE V	1			
118	10084627AD	STICKER FOR DRAFT AND POSITION INDICATIO	1			

DECALS & ACCESSORIES  
AC-2\_ACCESSORIES



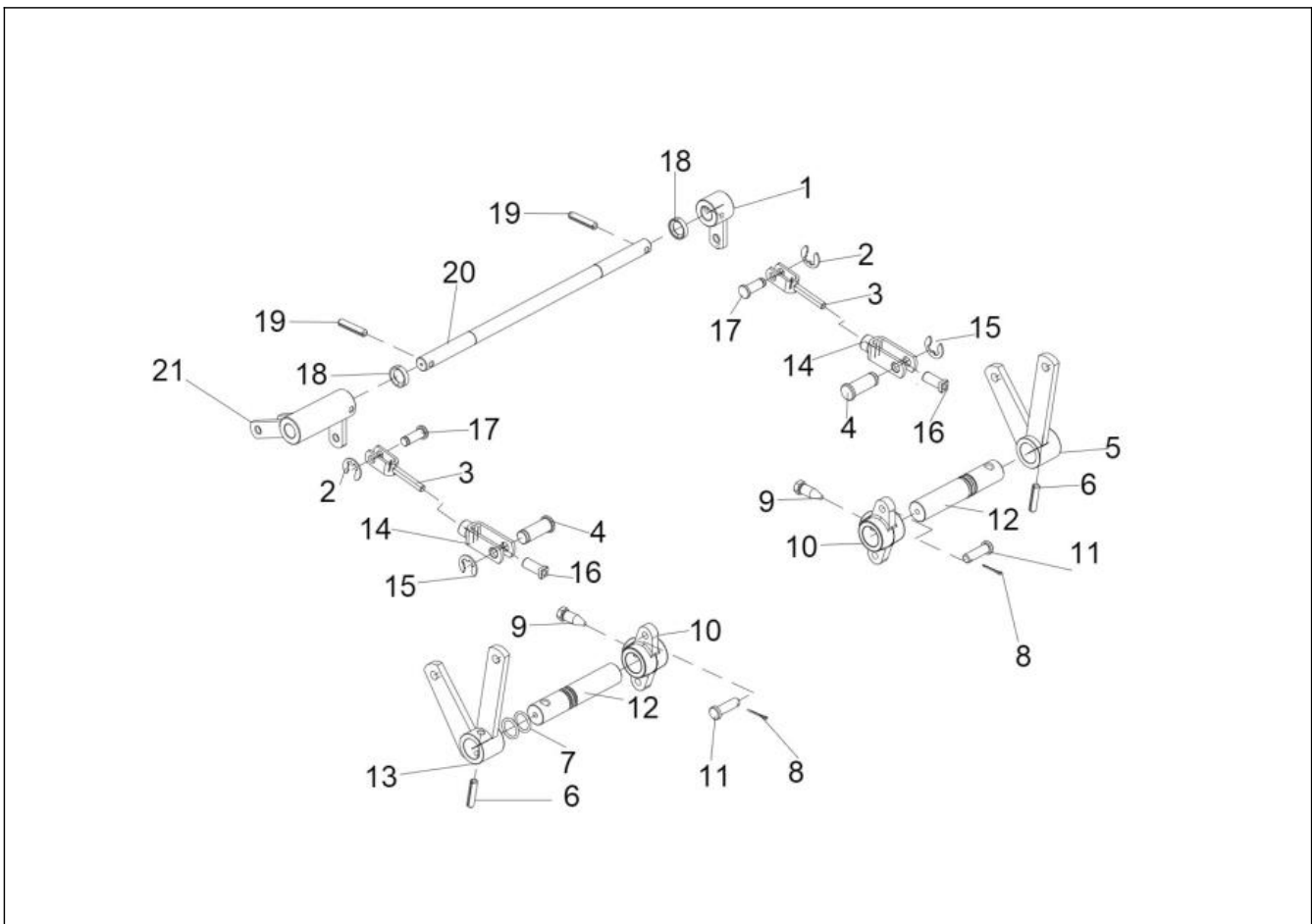
Sr.No	Part Code	Description	Qty	Int.	Cut Off	Remarks
1	10004801AA	PRIMARY FILTER ELEMENT	1			
2	10004836AB	ELEMENT OIL LUB . FILTER	1			
3	10012628AC	HAND TOOL KIT (EXPORT)	1			INTERCHANGEABLE WITH 10024743AC
3	10024743AC	HAND TOOL KIT ( EXPORT )	1			

BRAKES & CONTROLS  
BC-1\_BRAKE SUB ASSY



Sr.No	Part Code	Description	Qty	Int.	Cut Off	Remarks
1	10065073AE	SUN GEAR SHAFT Z14 FOR HEAVY DUTY MST	2			
2	10040880AA	WASHER FOR SUN GEAR SHAFT	2			
3	20003304AA	EXTERNAL CIRCLIP A-47(HEAVY DUTY) 2.5MM	2			
4	20003224AB	SCREW M12*1.75*100	10			
5	10065156AG	BRAKE HOUSING	2			
6	10066703AB	WET BRAKE ASSY	2			
7	10066717AC	TRB HOLDER 60 75 90 HP	2			
8	10065157AA	DOWEL DIA 12*50 (FOR BRAKE HOUSING)	4			
9	10026813AC	SHIMS 0.50 MM	1			USE AS REQUIRED
9	10027374AC	SHIMS 0.30 MM	1			USE AS REQUIRED
9	10027375AC	SHIMS 0.15 MM	1			USE AS REQUIRED
10	300034885A	LINK	2			
11	300034884A	PIN FOR BRAKE LINK	2			
12	10066336AB	SPRING CLIP FOR OIB	2			

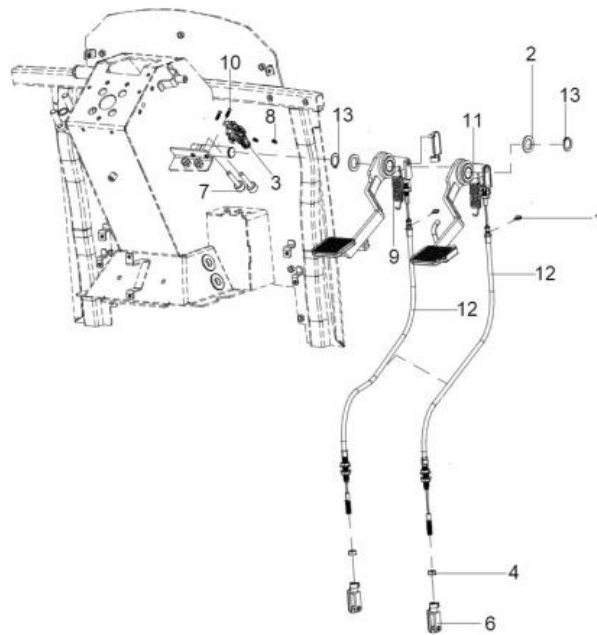
BRAKES & CONTROLS  
BC-2\_BRAKE ACTUATION LINKAGE



Sr.No	Part Code	Description	Qty	Int.	Cut Off	Remarks
1	10065615AE	HUB RIGHT FOR BRAKE	1			
2	20004309AA	EXTERNAL CIRCLIP E-8	2			
3	300278138A	TIE ROD ASSY	2			
4	300034897A	SPECIAL PIN BIG	2			
5	300034900A	ACTUATOR ASSY RIGHT FOR BRAKE	1			
6	20004104AB	SPIRAL PIN &#216;10X45 HEAVY DUTY DIN 7344 IS	2			
7	10065715AC	O-RING 23.6*3.6	4			
8	04010102025	SPLIT PIN DIA 2*25	2			INTERCHANGEABLE WITH 20005526AA (ROHS)
9	10065163AB	SCREW M14X1.5	2			
10	10065161AF	LEVER	2			
11	300034887A	JAW PIN (OIB)	2			
12	10065160AF	PIN	2			
13	300034889A	ACTUATOR ASSY LEFT FOR BRAKE	1			
14	300034892A	ACTUATOR FORK FOR BRAKE	2			
15	20003813AA	EXTERNAL CIRCLIP TYPE-E &#216;9X1.1 IS:3075-III	2			
16	10065611BA	LONG NUT	2			
17	300034898A	SPECIAL PIN (SMALL)	2			
18	300229314A	SEAL 20X30X7	2			
19	20004290AA	COTTER SLEEVE DIA 8*40 (BN:876,ISO 8752,DIN 1481)	2			
20	10065158AC	BRAKE PEDAL SHAFT	1			
21	300187557C	PARKING LEVER HUB ASSY	1			

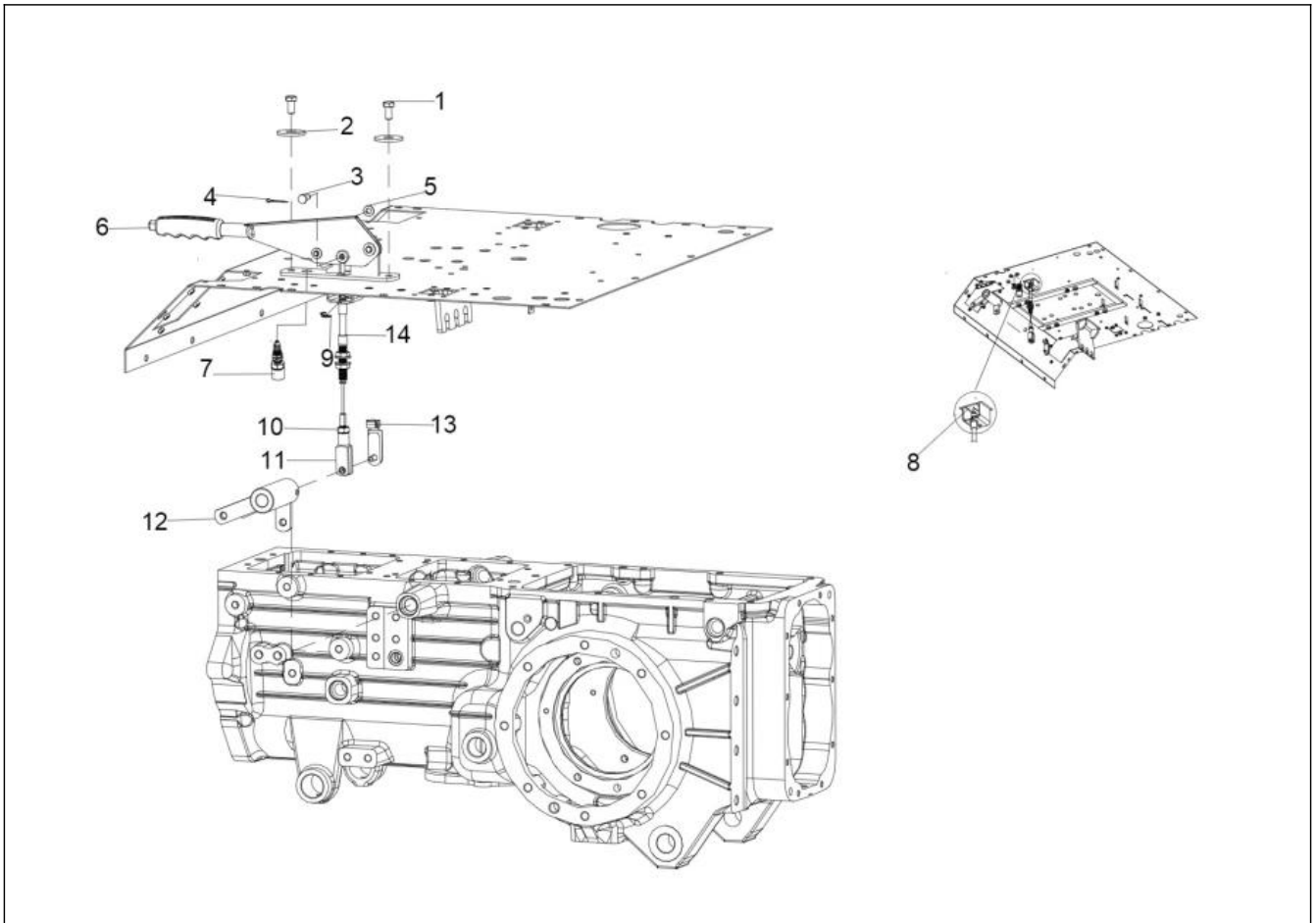


BRAKES & CONTROLS  
BC-3\_BRAKE PEDAL



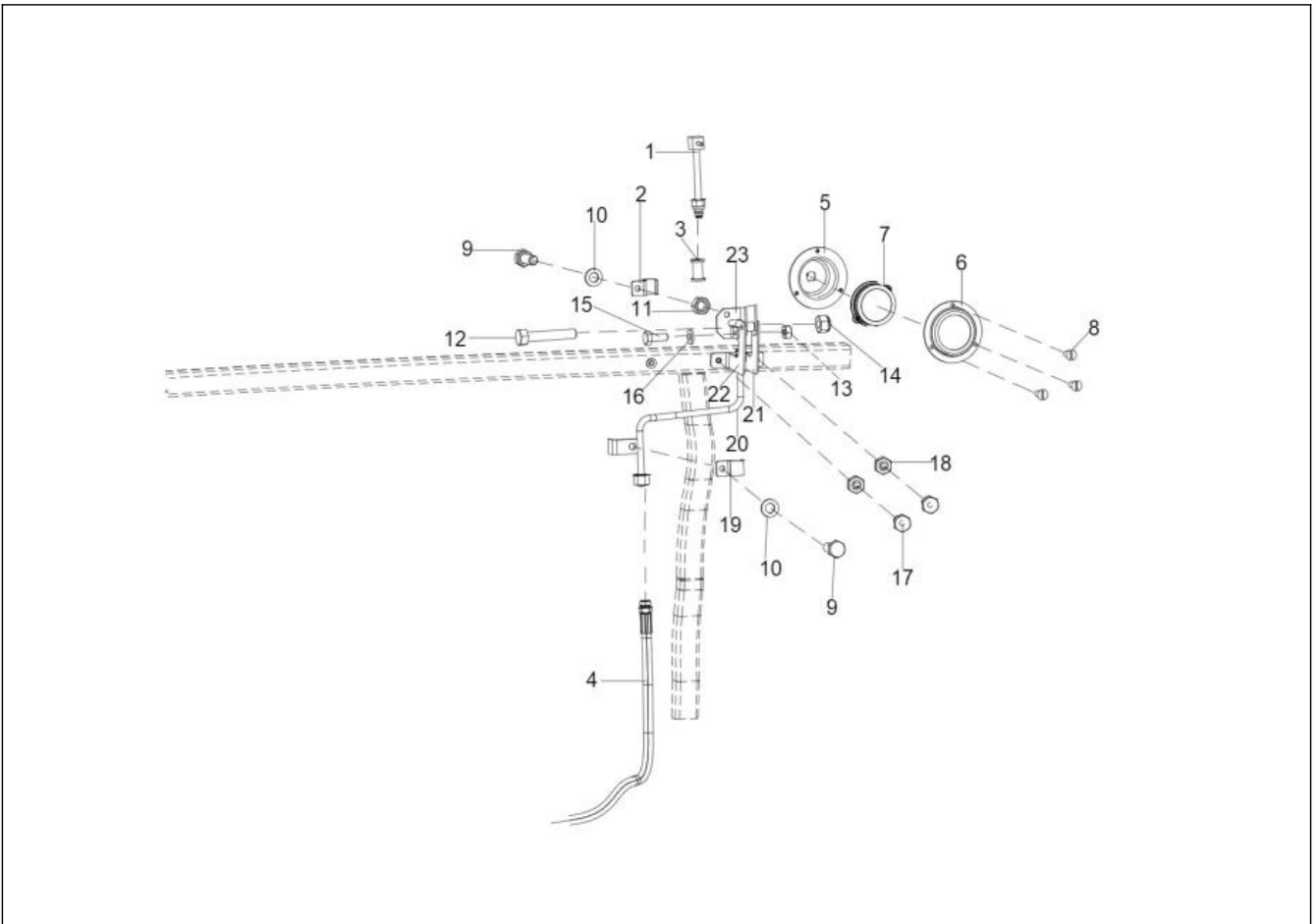
Sr.No	Part Code	Description	Qty	Int.	Cut Off	Remarks
1	10083690AA	CIRCLIP	2			
2	10006738AB	WASHER [BRACKE PEDAL]	2			
3	10096555AA	BRAKE LIGHT SWITCH WITH NC-NO CONTACT	1			
4	20003357AF	HEX NUT M10 -8 SA4GS	6			
6	300062998A	ES BOLT	4			
7	10084509AA	CLUTCH & BRAKE STOPPER	2			
8	300036223A	FORK PARKING BRAKE	4			
9	10084752AA	SPRING FOR BRAKE PEDAL	2			
10	20005684AA	SLOTTED CHEESE HEAD SCREW M4*20	2			
11	300173083A	BRAKE PEDAL ASSY	1			
12	300258414A	BRAKE WIRE ASSY	2			
13	20002549AA	CIRCLIP 25*1.2N,IS:3075 [PART-1]	2			

BRAKES & CONTROLS  
BC-4\_PARKING BRAKE ASSY



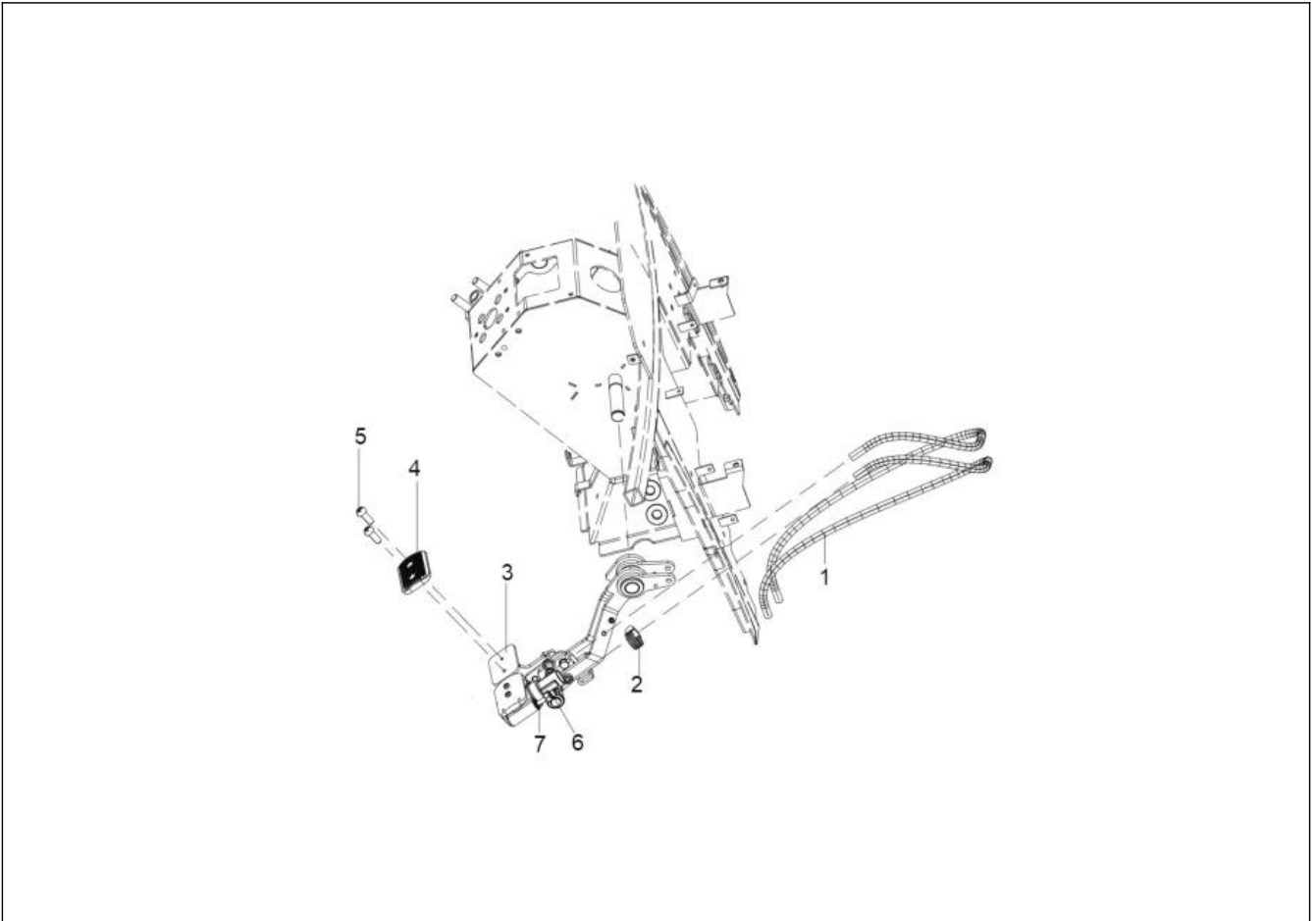
Sr.No	Part Code	Description	Qty	Int.	Cut Off	Remarks
1	20005553AA	HEX HEAD SCREW M10X1.5X25 SA4GS	2			
2	20005523AA	PLAIN WASHER A 10.5 IS:5370 STEEL	2			
3	10082798AA	PIN FOR BRAKE	1			
4	04010102025	SPLIT PIN DIA 2*25	1			INTERCHANGEABLE WITH 20005526AA (ROHS)
5	04030600008	PLAIN WASHER DIA 8.4 *DIA 17*1.6	1			
6	10085691AB	HAND BRAKE ASSY	1			
7	300119996A	PLUNGER SWITCH NC	1			
8	300044624A	SEALINF FOAM FOR IPTO AND PARKING BRAKE LEVER	1			
9	10083690AA	CIRCLIP	1			
10	20003357AF	HEX NUT M10 -8 SA4GS	1			
11	300036223A	FORK PARKING BRAKE	1			
12	300187557C	PARKING LEVER HUB ASSY	1			
13	300062998A	ES BOLT	1			
14	300173010B	PARKING WIRE ASSY	1			

BRAKES & CONTROLS  
BC-5\_DATB BRAKE



Sr.No	Part Code	Description	Qty	Int.	Cut Off	Remarks
1	10068349AA	HOSE CONNECTING PIPE ASSY	1			
2	300005810A	CURVE CLAMP	1			
3	10017177AA	VIBRATION DAMPER FOR 10 OD TUBE	2			
4	300184113A	FLEXIBLE HOSE FROM PSI TO	1			
5	10068352AA	REAR OUTER PRESSURE COVER	1			
6	10068351AA	PRESSURE GUAGE FRONT OUTER COVER	1			
7	10067992AA	AIR PRESSURE GUAGE	1			
8	20005537AA	SLOTTED CHEASE HEAD SCREW M5*12	3			
9	20005565AA	HEX HEAD SCREW M8X1.25X20 -8.8 SA4GS	2			
10	20005517AA	SPRING WASHER B-8 TYPE A IS:3067-1972	2			
11	20005504AA	HEX NUT M8X1.25 -8 SA4GS	1			
12	20005548AA	HEX BOLT M8X1.25-45 -8.8 SA4GS	1			
13	20005491AA	HEX NUT M6 -8 SA4GS	1			
14	20004917AB	HEX NYLOC NUT M8*1.25 8	1			
15	20005542AA	HEX FLANGE SCREW M6*1*16 -8.8 SA4GS	1			
16	20005516AA	SPRING WASHER B-6 TYPE A IS:3067-1972	1			
17	20005559AA	HEX HEAD SCREW M8X1.25X16 -8.8 SA4GS	2			
18	20003355AE	HEX NUT M8X1.25 -8 SA2JS	2			
19	10085020AA	CLAMP ASSY-1 FOR P.STG PIPE	1			
20	300188862B	PIPE FROM PRESSURE GUAUGE TO	1			
21	300188059A	PRESSURE GAUGE CLAMP LH	1			
22	300188058A	PRESSURE GAUGE CLAMP RH	1			
23	300188890A	BASE CLAMP	1			

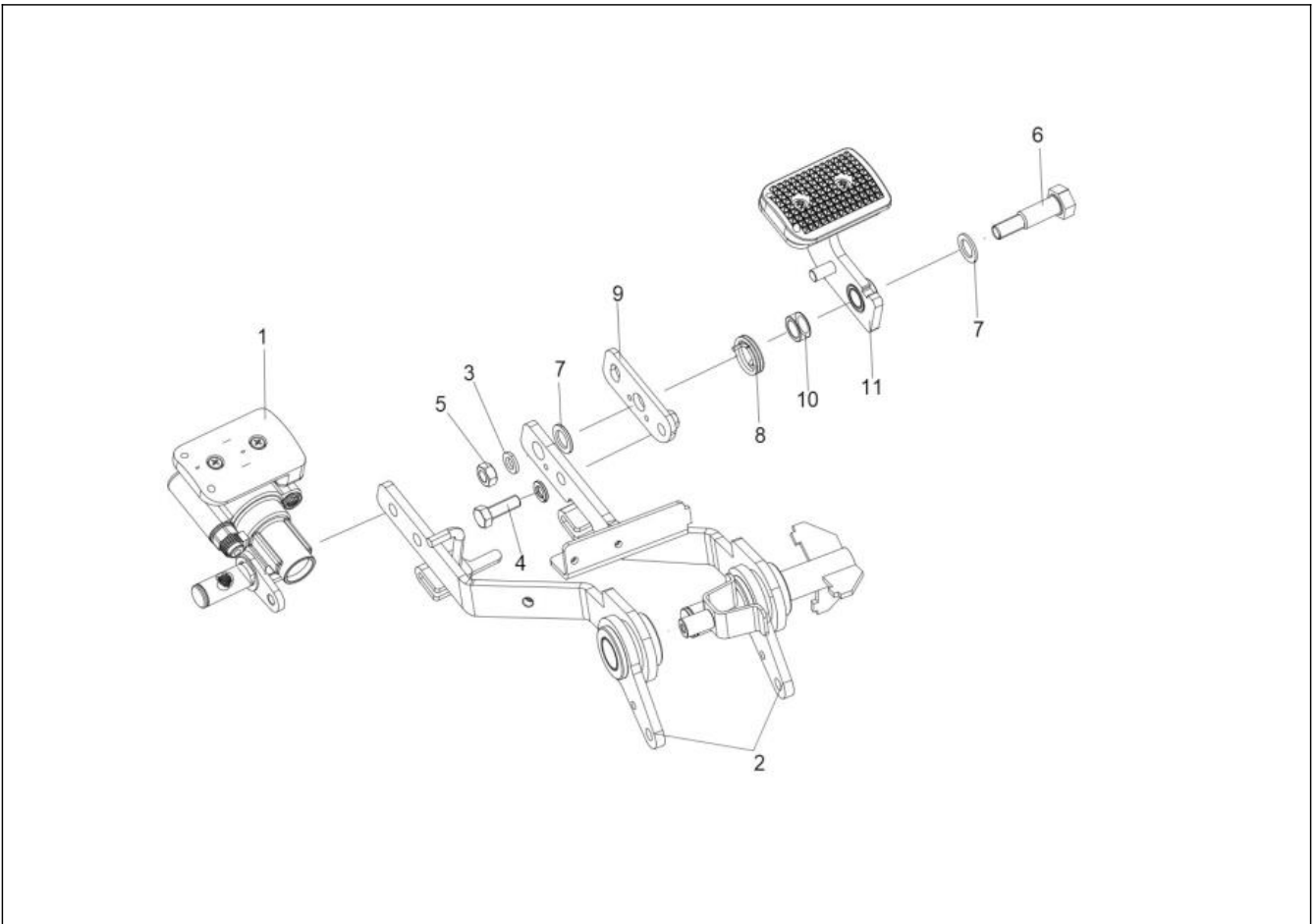
BRAKES & CONTROLS  
BC-6\_DATB BRAKE



Sr.No	Part Code	Description	Qty	Int.	Cut Off	Remarks
1	300175729B	HOSE FROM DUAL CONTROL VALVE	1			
2	20004819AB	HOSE WORM CLAMP 5/8	2			
3	300153265B	PEDAL ASSY LEFT	1			
4	300106412C	FOOT PAD	1			
5	20005113AA	TRUSS PHILIPS M/S SCREW (M6X15)	2			
6	10068278AB	ADOPTER M14X1.5 FOR BRAKE VALVE (DUAL)	1			
7	10012571AA	BONDED SEAL FOR M14	1			

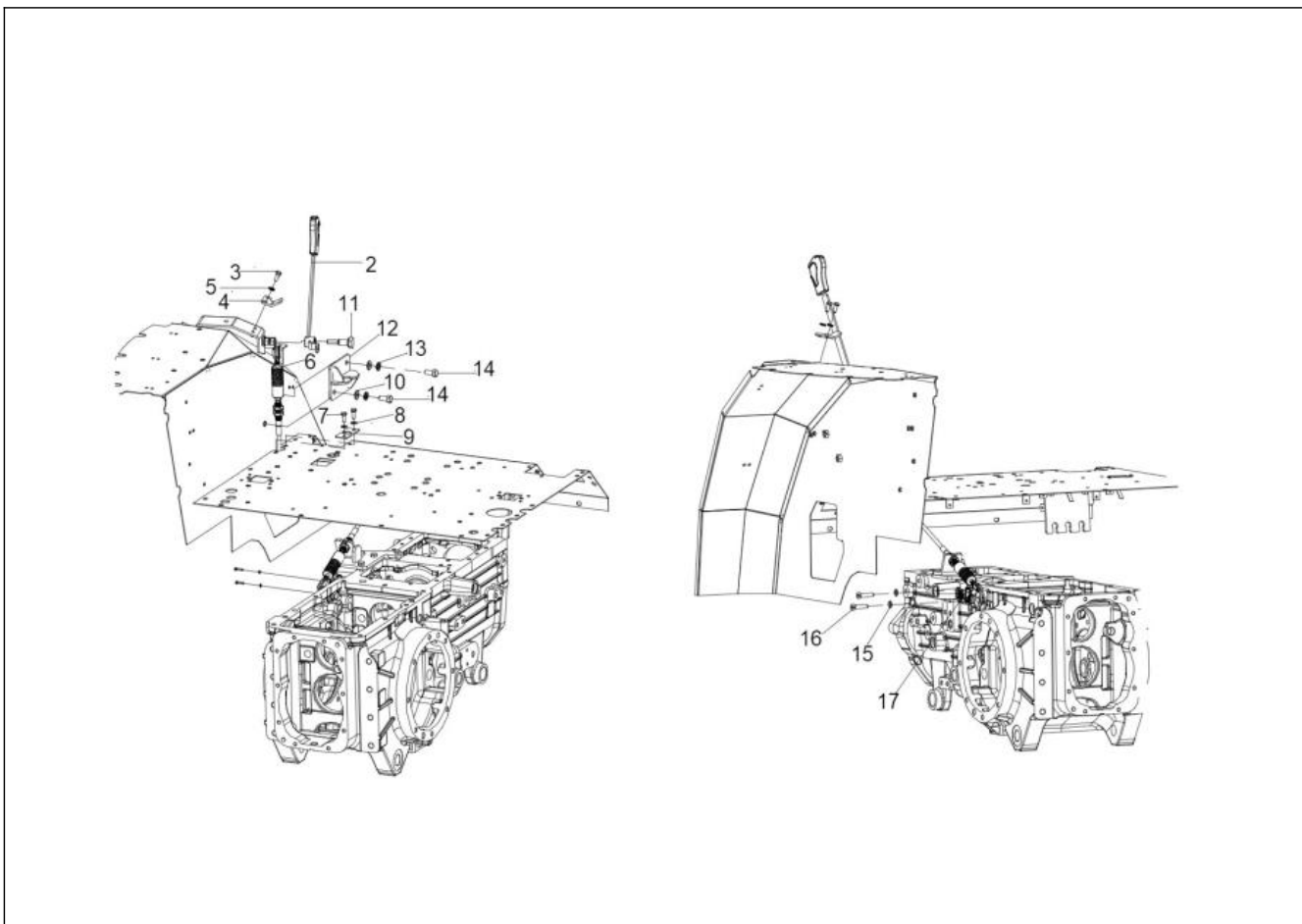


BRAKES & CONTROLS  
BC-7\_DATB BRAKE



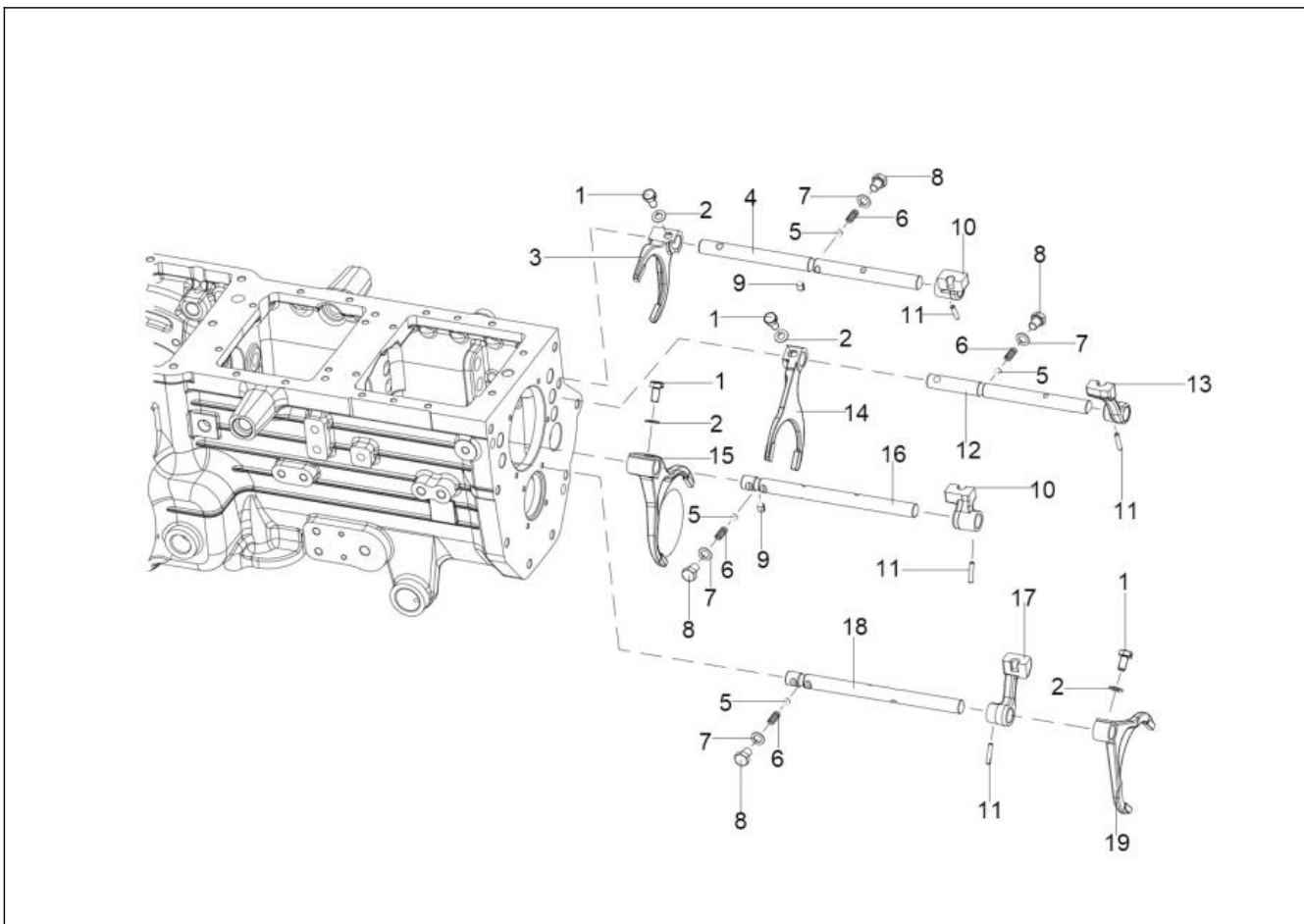
Sr.No	Part Code	Description	Qty	Int.	Cut Off	Remarks
1	10067726AA	TRAILER CONTROL VALVE DUAL	1			
2	300092535D	BRAKE PEDAL ASSY.	1			
3	20005518AA	SPRING WASHER B-10 TYPE A IS:3067-1972	2			
4	20005562AA	HEX HEAD SCREW M10X1.5X30 -8.8 SA4GS	1			
5	20003357AF	HEX NUT M10 -8 SA4GS	1			
6	300116128A	GUIDE PIN	1			
7	300116132A	NYLON WASHER 16X25X2X2	2			
8	10050322AA	TORSION SPRING	1			
9	300154190B	SUPPORT PLATE ASSY	1			
10	300113636A	METALLIC SPACER (DIA.15X22X10)	1			
11	300153265B	PEDAL ASSY LEFT	1			

BRAKES & CONTROLS  
BC-8\_PTO LEVER ASSY



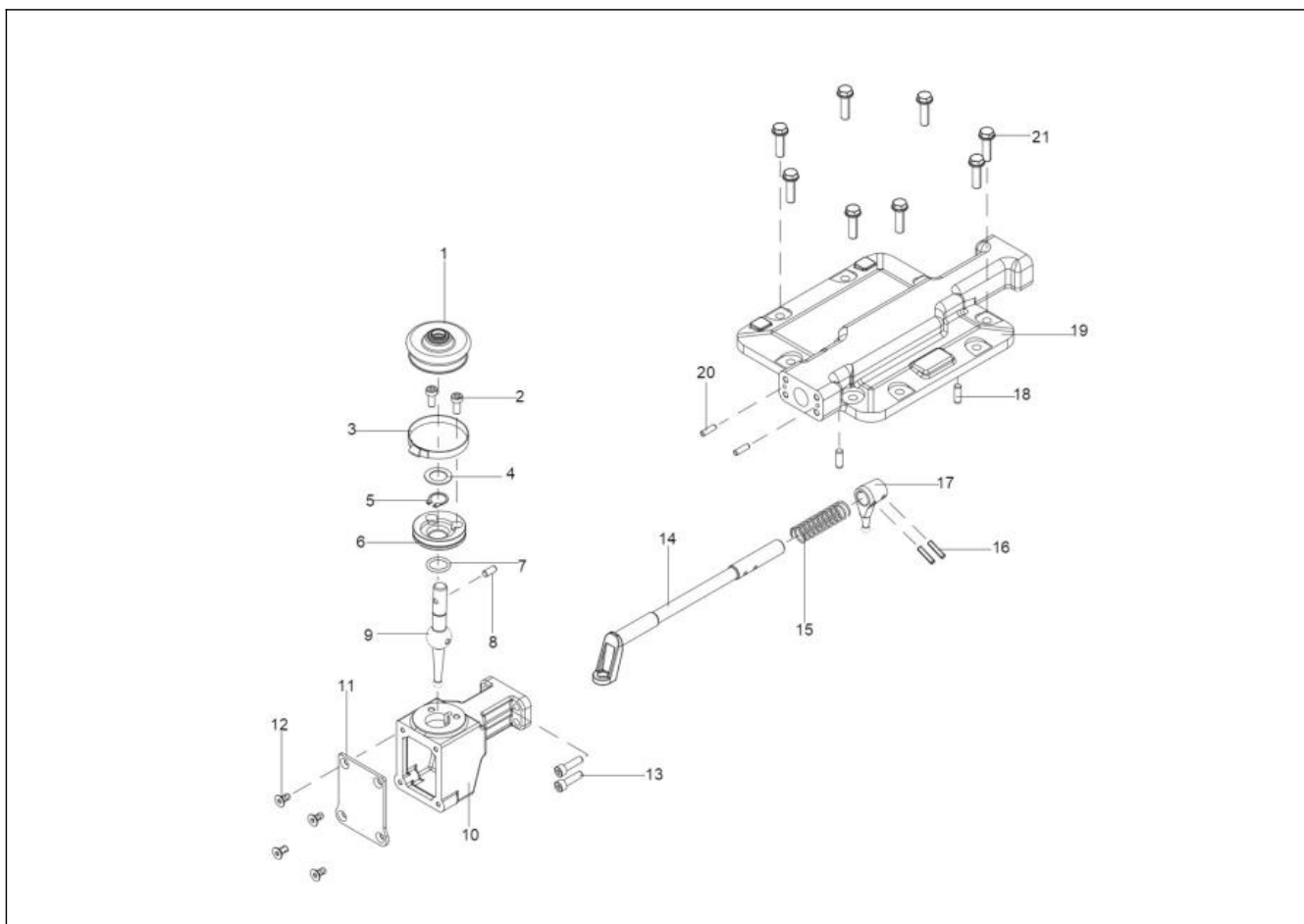
Sr.No	Part Code	Description	Qty	Int.	Cut Off	Remarks
2	300172563B	PTO LEVER ASSY	1			
3	20005565AA	HEX HEAD SCREW M8X1.25X20 -8.8 SA4GS	2			
4	300278993A	STOPPER BKT	1			
5	20005517AA	SPRING WASHER B-8 TYPE A IS:3067-1972	2			
6	300181241C	PULL PUSH CABLE ASSY FOR PTO SOLIS60	1			
7	20001096AA	HEX. HEAD SCREW M8 X 1.25 X 20 8-8 SA2JS	2			
8	04030600008	PLAIN WASHER DIA 8.4 *DIA 17*1.6	2			
9	300281995A	PTO COVER PLATE	1			
10	20004940AB	M/C WASHER DIA 13*DIA 24*2.5	2			
11	300172165A	M12 SPL BOLT FOR LEVER MTG	1			
12	300172632A	PTO WIRE MTG BKT UPPER ASSY	1			
13	20004993AB	SPRING WASHER B-12TYPE-A IS:3063-1972	2			
14	20005682AA	HEX SCREW M12X1.75X25 - 10.9 SA4GS	2			
15	200000376A	M/C WASHER M4	2			
16	20005684AA	SLOTTED CHEESE HEAD SCREW M4*20	2			
17	10096555AA	BRAKE LIGHT SWITCH WITH NC-NO CONTACT	1			

BRAKES & CONTROLS  
BC-9\_SHIFTER FORKS



Sr.No	Part Code	Description	Qty	Int.	Cut Off	Remarks
1	10065129AF	LOCKING SCREW FOR FORK	4			
2	10065190AC	WASHER FOR LOCKING SCREW	4			
3	10065127AE	SHIFTER FORK LOW	1			
4	10065122AE	SHIFTER ROD LOW	1			
5	20003879AA	STEEL BALL DIA 9.525	4			
6	10065196AB	SPRING FOR STEEL BALL	4			
7	10065121AB	SEALING WASHER	4			
8	300031855A	HEX HEAD SCREW M12X1.75X16	4			
9	10065192AB	RETAINER SHIFTER ROD 3-4	2			
10	10065124AF	SHIFTER BUSH FOR 1ST, 2ND & LOW	2			
11	20005032AA	SPRING COTTER SLEEVE 6X30 HEAVY DUTY DIN 1481 ISO 8752 BN 876	4			
12	10065125AF	SHIFTER ROD HI-MEDIUM	1			
13	10065123AK	SHIFTER BUSH HI/MED	1			
14	10065126AF	SHIFTER FORK HI-MED.	1			
15	10065191AE	SHIFTER FORK 1-2	1			
16	10065195AC	SHIFTER ROD 1ST-2ND	1			
17	10065512AJ	SHIFTER BUSH 3RD-4TH	1			
18	10065193AC	SHIFTER ROD 3RD-4TH	1			
19	10065194AD	SHIFTER FORK 3RD-4TH	1			

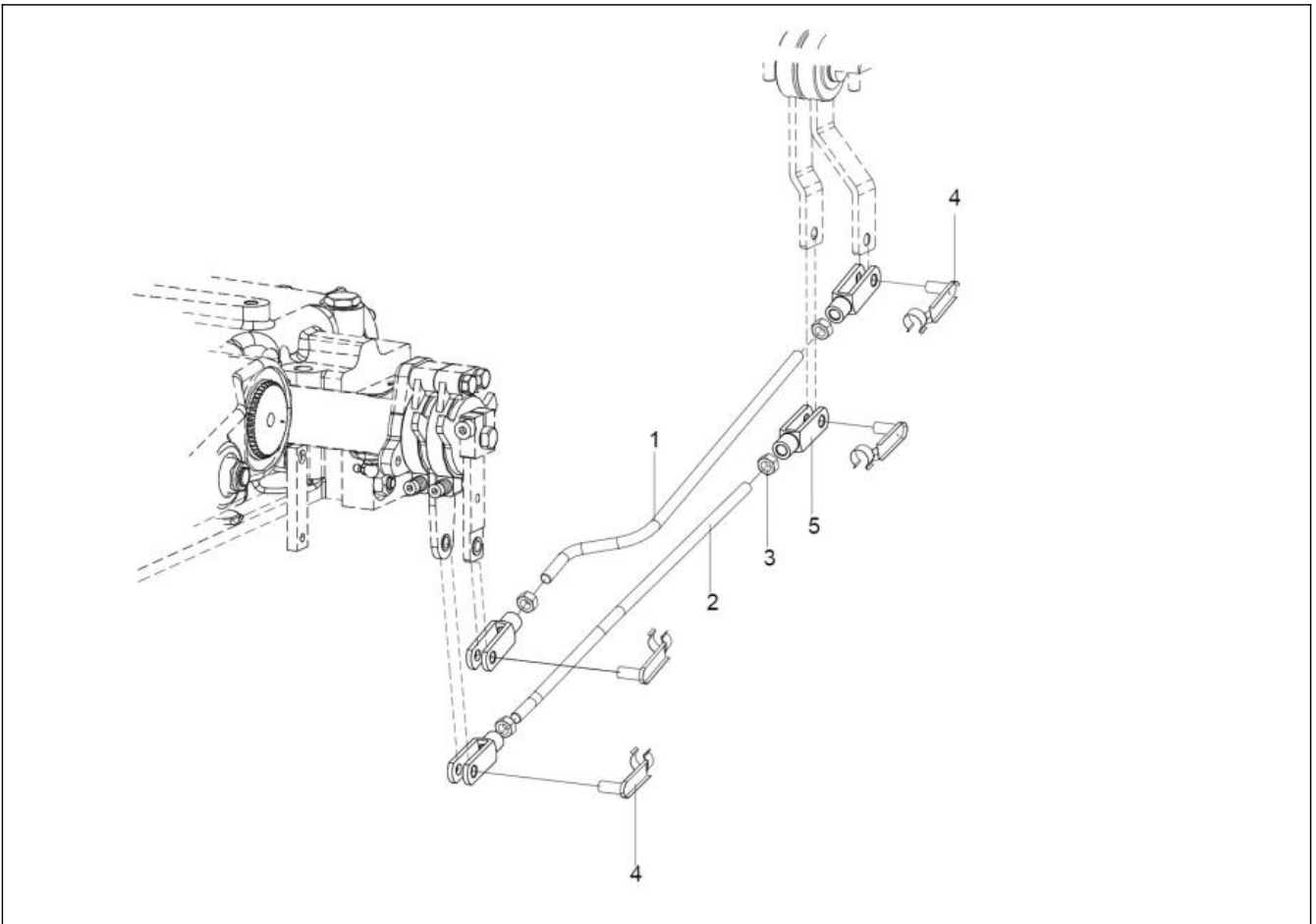
BRAKES & CONTROLS  
BC-10\_SHIFTER HOUSING SUB ASSY



Sr.No	Part Code	Description	Qty	Int.	Cut Off	Remarks
1	10040686AB	RUBBER BOOT FOR LEVER HOUSING	2			
2	300003122A	SOCKET HEAD SCREW M8X1.25 SA4GS	4			
3	20004004AB	HOSE WORM CLAMP DIA 68 IS-4762	2			
4	10065179AC	SHIM LEVER HOUSING	2			
5	04020200016	CIRCLIP (16 X0.4 N IS:3075 PART 1)	2			
6	10069728BA	COVER SHIFTER HOUSING	2			
7	10065742AB	O-RING &#216;22X&#216;3.5	2			
8	10065744AC	DOWEL PIN &#216;6X14	2			
9	10065421AD	LEVER SMALL	2			
10	10040681AB	HOUSING FOR LEVER	2			
11	10069730AB	SIDE PLATE SHIFTER HOUSING	2			
12	20003851AB	HEXAGON SOCKET COUNTER SUNK HEAD SCREW M6X12 (BN 1422, DIN 7991)	8			
13	20004904AA	ALLEN SCREW M8 X 25	8			
14	10040684AB	SHIFTER ROD (RANGE SIDE)	2			
15	10065180AC	SPRING FOR LEVER HOUSING RODS	2			
16	20004149AB	SPRING COTTER SLEEVE &#216;6X25 H.D DIN 1481	4			
17	10065182AC	SHIFTER PIN	2			
18	20003875AB	DOWEL PIN FOR SHIFTER HOUSING DIA8*25 (IS:2393)	2			
19	10069723AB	SHIFTER HOUSING	1			
20	04010205016	CYLINDRICAL PIN DIA 5X16	4			
21	300044863A	HEX FLANGE SCREW M10X1.5X35	8			

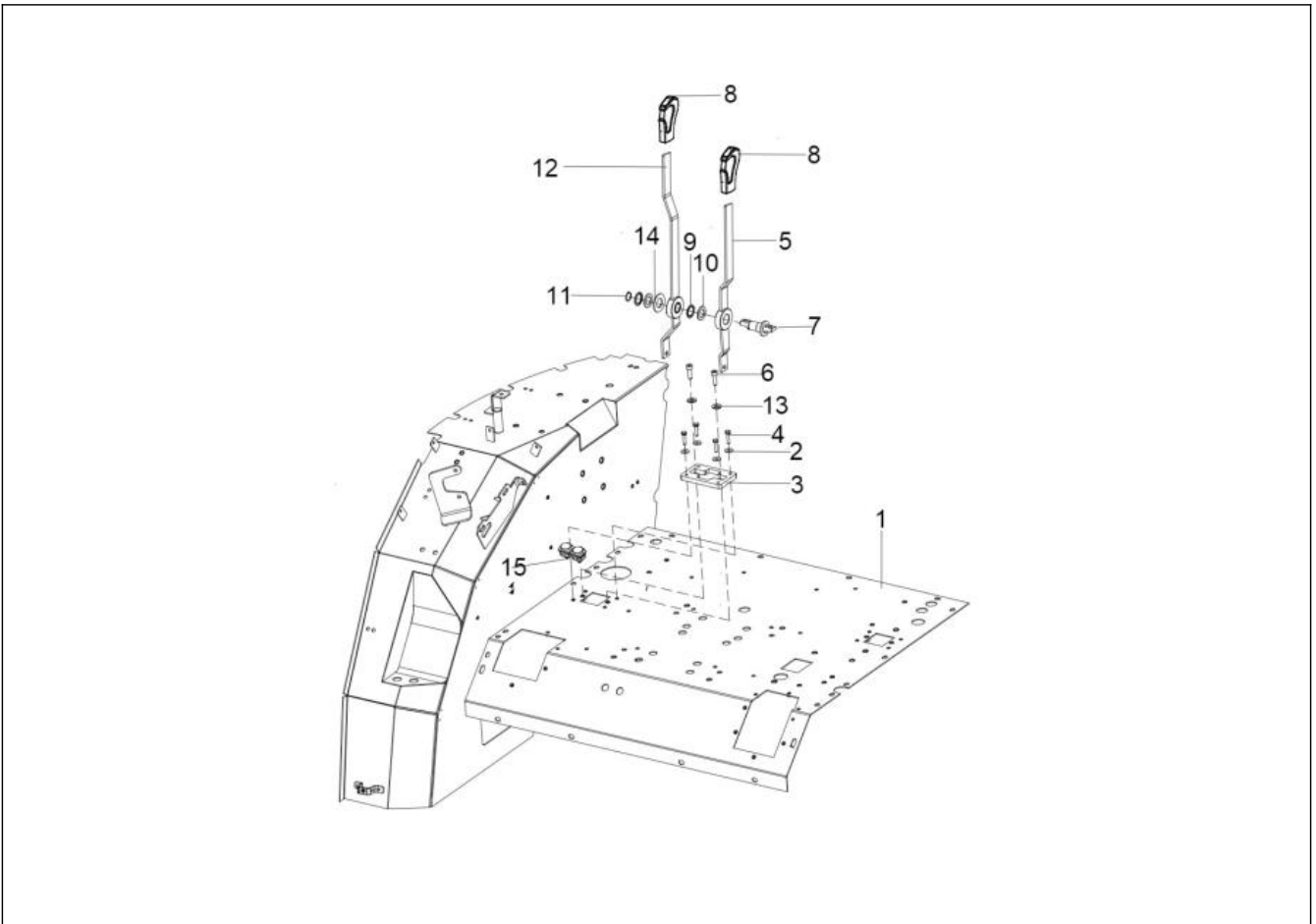


BRAKES & CONTROLS  
BC-11\_PC/DC LEVER ASSY



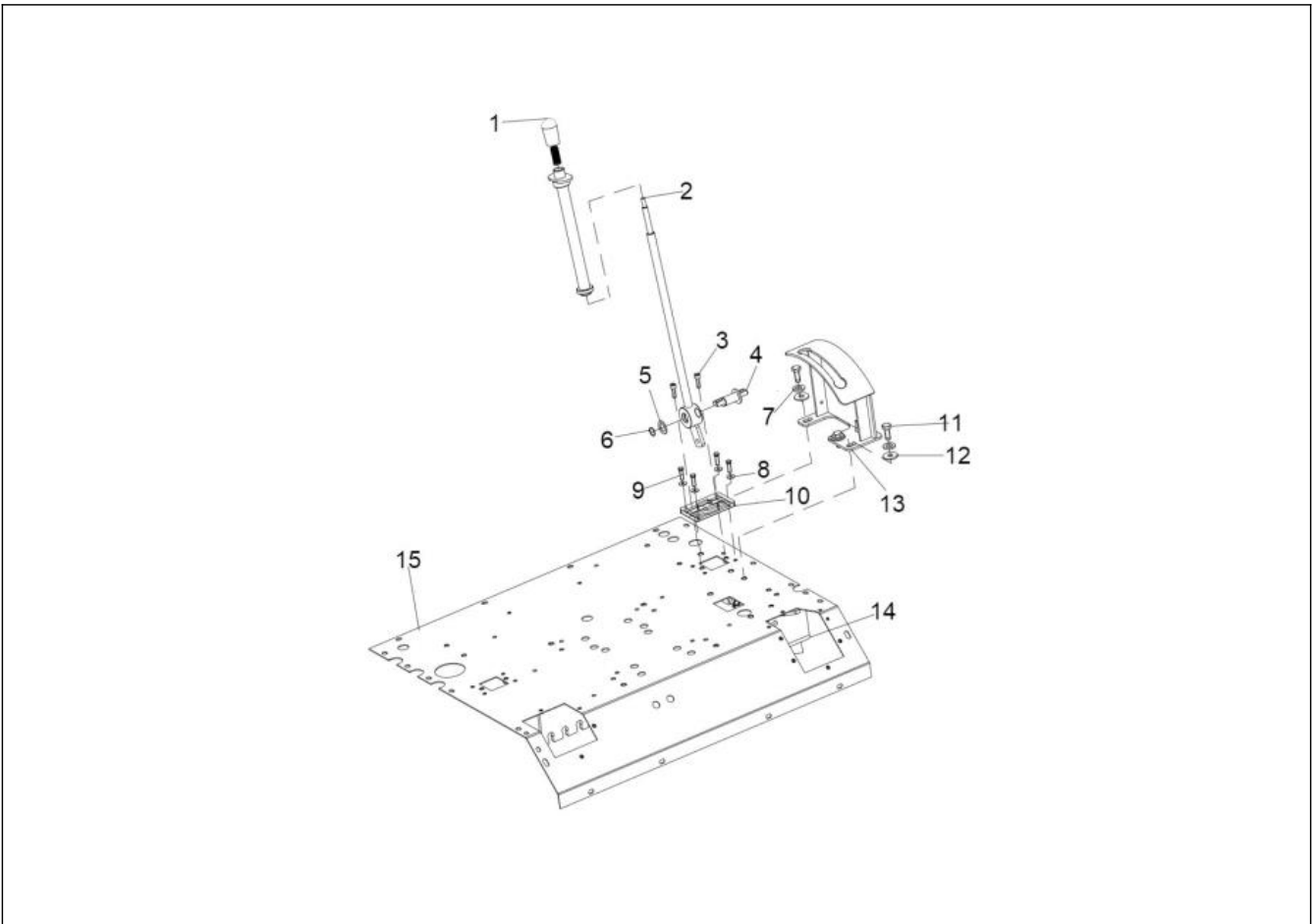
Sr.No	Part Code	Description	Qty	Int.	Cut Off	Remarks
1	300173385B	TIE ROD FOR DRAFT LEVER	1			
2	300188840B	TIE ROD FOR POSITION LEVER	1			
3	20005504AA	HEX NUT M8X1.25 -8 SA4GS	4			
4	300034287A	ES BOLT WITH SECURING COLLAR 8X32	4			
5	10080657AA	FORK HEAD 8X32	4			

BRAKES & CONTROLS  
BC-12\_PC/DC LEVER MTG ASSY



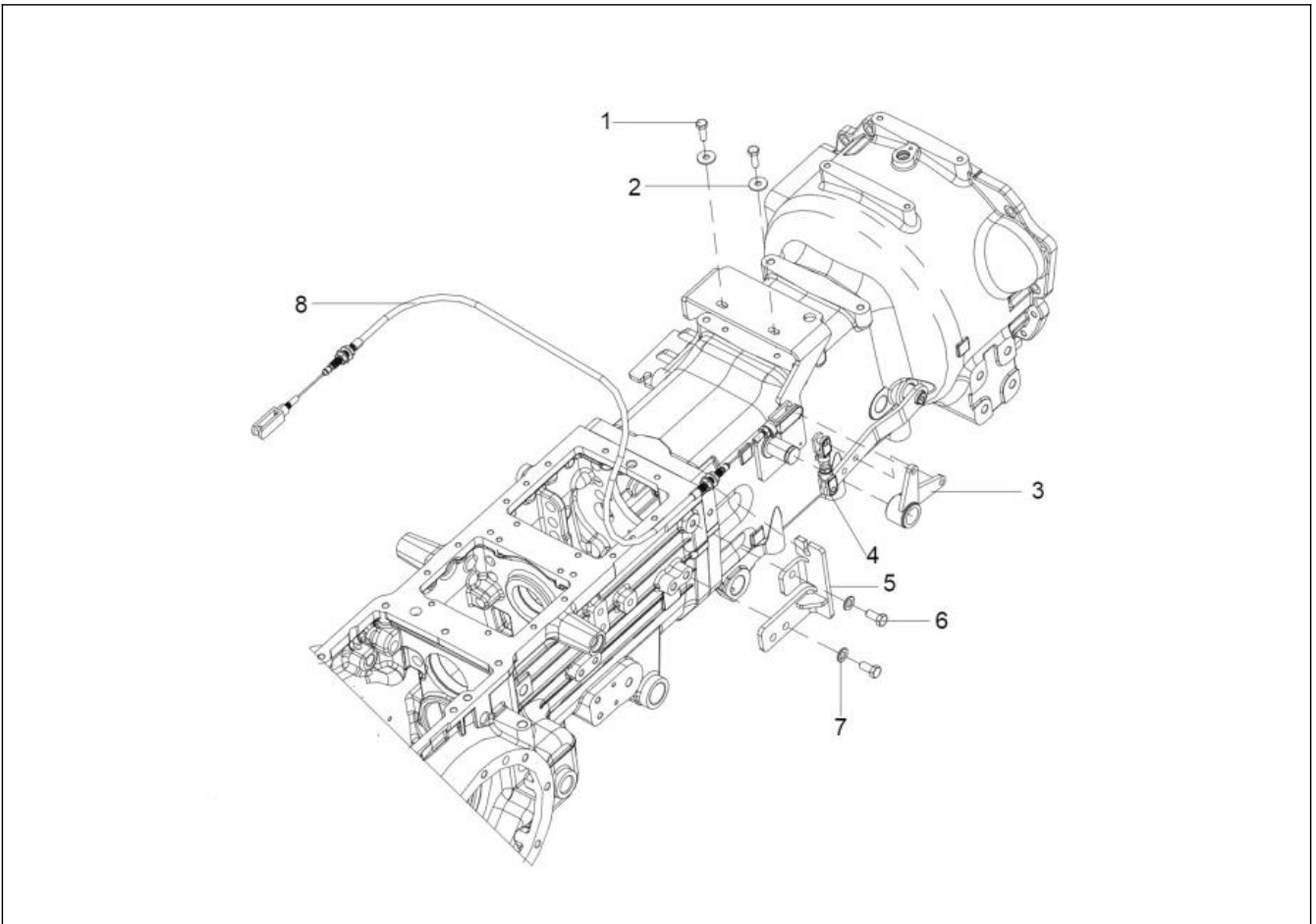
Sr.No	Part Code	Description	Qty	Int.	Cut Off	Remarks
1	300182678D	REAR FLOOR ASSEMBLY (ECO MST)	1			
2	20005524AA	PLAIN WASHER A 6.4 IS:5370 STEEL	4			
3	300285603A	RUBBER SPONGE	1			
4	20005570AA	HEX SCREW M6X25	4			
5	300189294A	DRAFT LEVER ASSY SOLIS 60	1			
6	20004904AA	ALLEN SCREW M8 X 25	2			
7	300132284A	PC DC LEVER MOUNTING SHAFT	1			
8	300185075C	KNOB PC_DC_PTO(TAB DWG)	2			
9	300132860A	SHIM 30X22.5X0.2	4			
10	10084957AB	WASHER FOR LEVERS	2			
11	04020200020	EXTERNAL CIRCLIP A-20	1			
12	300173155B	POSITION LEVER ASSY	1			
13	20005625AA	M/CD WASHER 10.5*21*2	2			
14	10018337AC	WASHER FOR DCV LEVER ASSY	1			
15	300175491A	POSITION LEVER STOPPER	2			

BRAKES & CONTROLS  
BC-13\_IPTO ASSY



Sr.No	Part Code	Description	Qty	Int.	Cut Off	Remarks
1	300227734A	IPTO KNOB ASSY YELLOW	1			
2	300192068B	IPTO LEVER ASSY SOLIS 60	1			
3	20004904AA	ALLEN SCREW M8 X 25	2			
4	300132284A	PC DC LEVER MOUNTING SHAFT	1			
5	10084957AB	WASHER FOR LEVERS	1			
6	04020200020	EXTERNAL CIRCLIP A-20	1			
7	20005518AA	SPRING WASHER B-10 TYPE A IS:3067-1972	3			
8	20005524AA	PLAIN WASHER A 6.4 IS:5370 STEEL	4			
9	20005570AA	HEX SCREW M6X25	4			
10	300285603A	RUBBER SPONGE	1			
11	20005553AA	HEX HEAD SCREW M10X1.5X25 SA4GS	3			
12	20005523AA	PLAIN WASHER A 10.5 IS:5370 STEEL	3			
13	300192078C	IPTO GUIDE PLATE ASSY SOLIS 60	1			
14	300187546C	IPTO WIRE HOLDING BKRT ASSY FOR SOLIS 60	1			
15	300182678D	REAR FLOOR ASSEMBLY (ECO MST)	1			

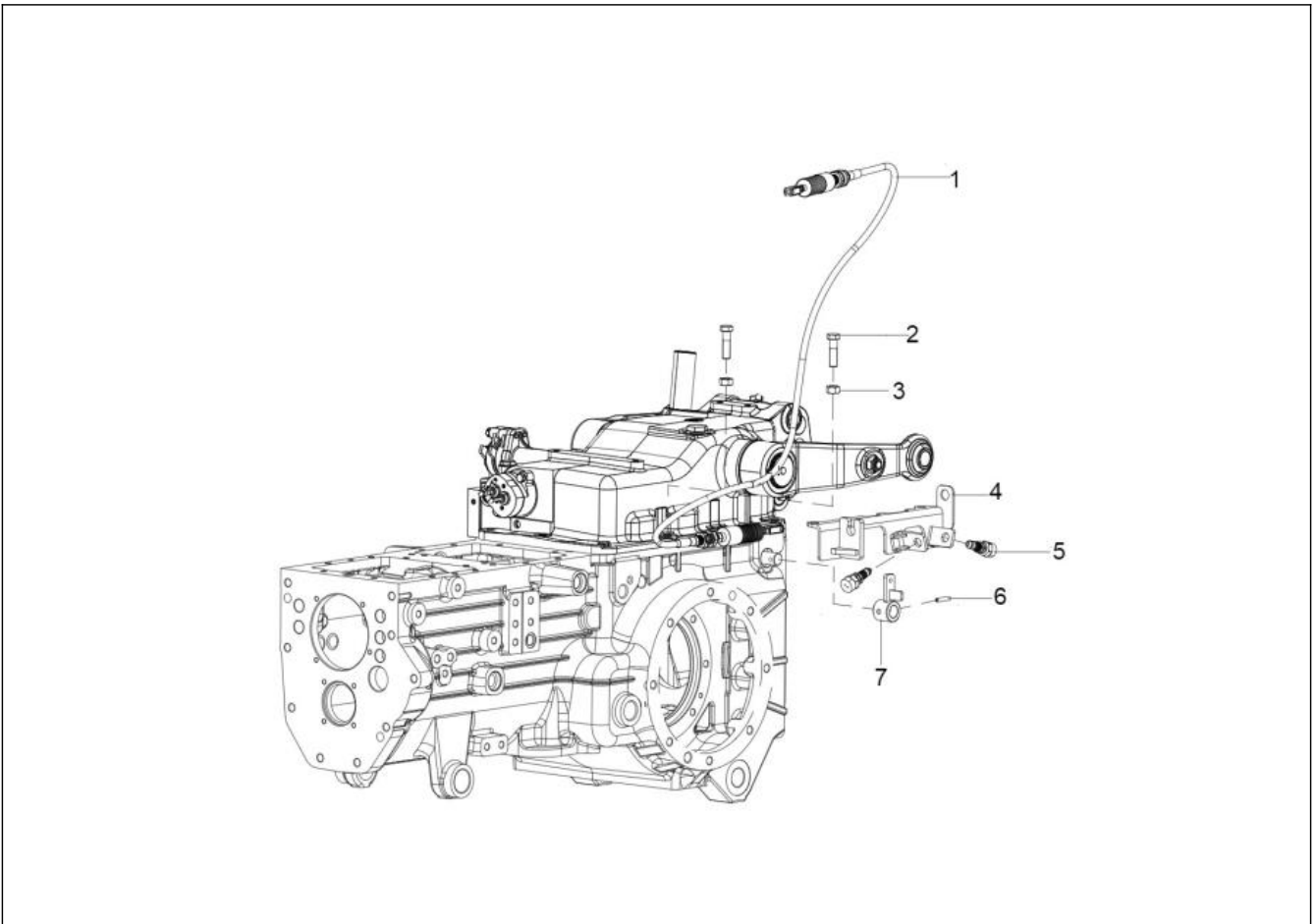
BRAKES & CONTROLS  
BC-14\_IPTO LEVER AREA



Sr.No	Part Code	Description	Qty	Int.	Cut Off	Remarks
1	20005562AA	HEX HEAD SCREW M10X1.5X30 -8.8 SA4GS	2			
2	20005523AA	PLAIN WASHER A 10.5 IS:5370 STEEL	2			
3	300192543A	IPTO LOWER LEVER ASSY	1			
4	10084206AB	TIE ROD ASSY FOR PTO FORWARD	1			
5	300190714B	IPTO CABLE MOUNTING BKT	1			
6	20005557AA	HEX SCREW M12X1.25X25 SA4GS	2			
7	20004940AB	M/C WASHER DIA 13*DIA 24*2.5	2			
8	300187239B	IPTO CABLE ASSY FOR SOLIS 60	1			

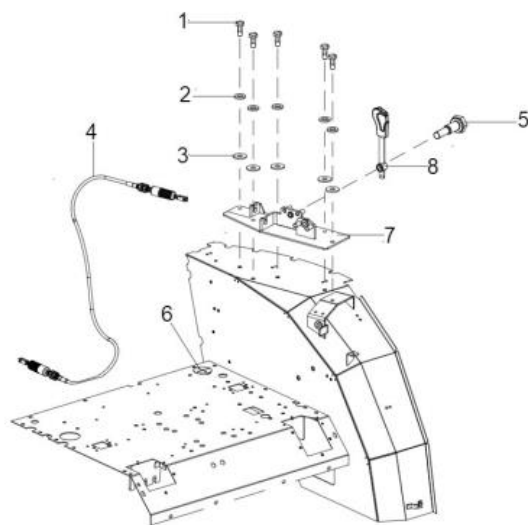


BRAKES & CONTROLS  
BC-15\_540 & 540E LEVER



Sr.No	Part Code	Description	Qty	Int.	Cut Off	Remarks
1	300181219C	PUSH PULL CABLE ASSY	1			
2	20003225AB	HEX BOLT M 12*1.75*45 8-8 SA3NS	2			
3	20003358AE	HEX NUT M12X1.75 -8 SA4GS	2			
4	300172284B	540/540E WIRE MTG BKT LOWER ASSY	1			
5	300157154B	PLUNGER SWITCH NO	2			
6	10084523AA	SPRING COTTER SLEEVE(DIA 6X30) DIN-148	1			
7	300175869A	HUB 540/540E ASSY	1			

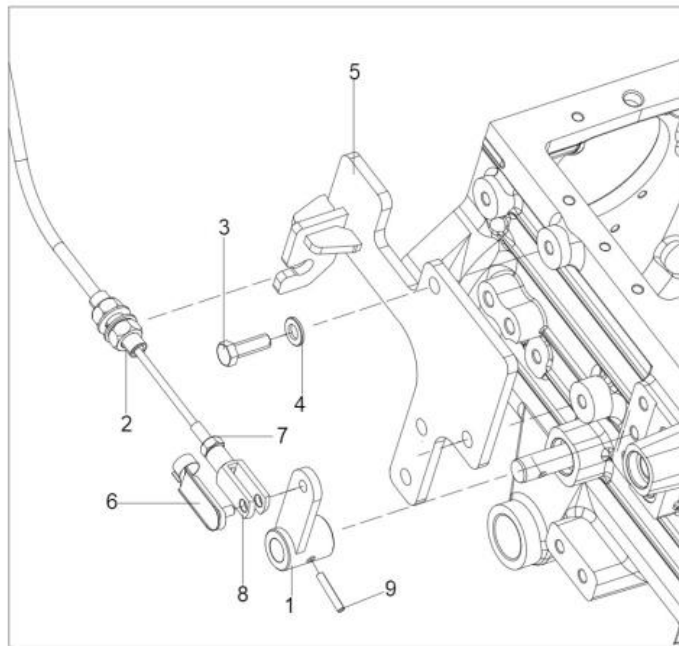
BRAKES & CONTROLS  
BC-16\_540E LEVER



Sr.No	Part Code	Description	Qty	Int.	Cut Off	Remarks
1	20005553AA	HEX HEAD SCREW M10X1.5X25 SA4GS	5			
2	20005518AA	SPRING WASHER B-10 TYPE A IS:3067-1972	5			
3	20005523AA	PLAIN WASHER A 10.5 IS:5370 STEEL	5			
4	300181219C	PUSH PULL CABLE ASSY	1			
5	300172165A	M12 SPL BOLT FOR LEVER MTG	1			
6	300276609A	GROMMET FOR FLEXIBLE PIPES	1			
7	300172073B	540/540E LEVER MTG BKT ASSY	1			
8	300172053B	540/540E LEVER ASSY	1			

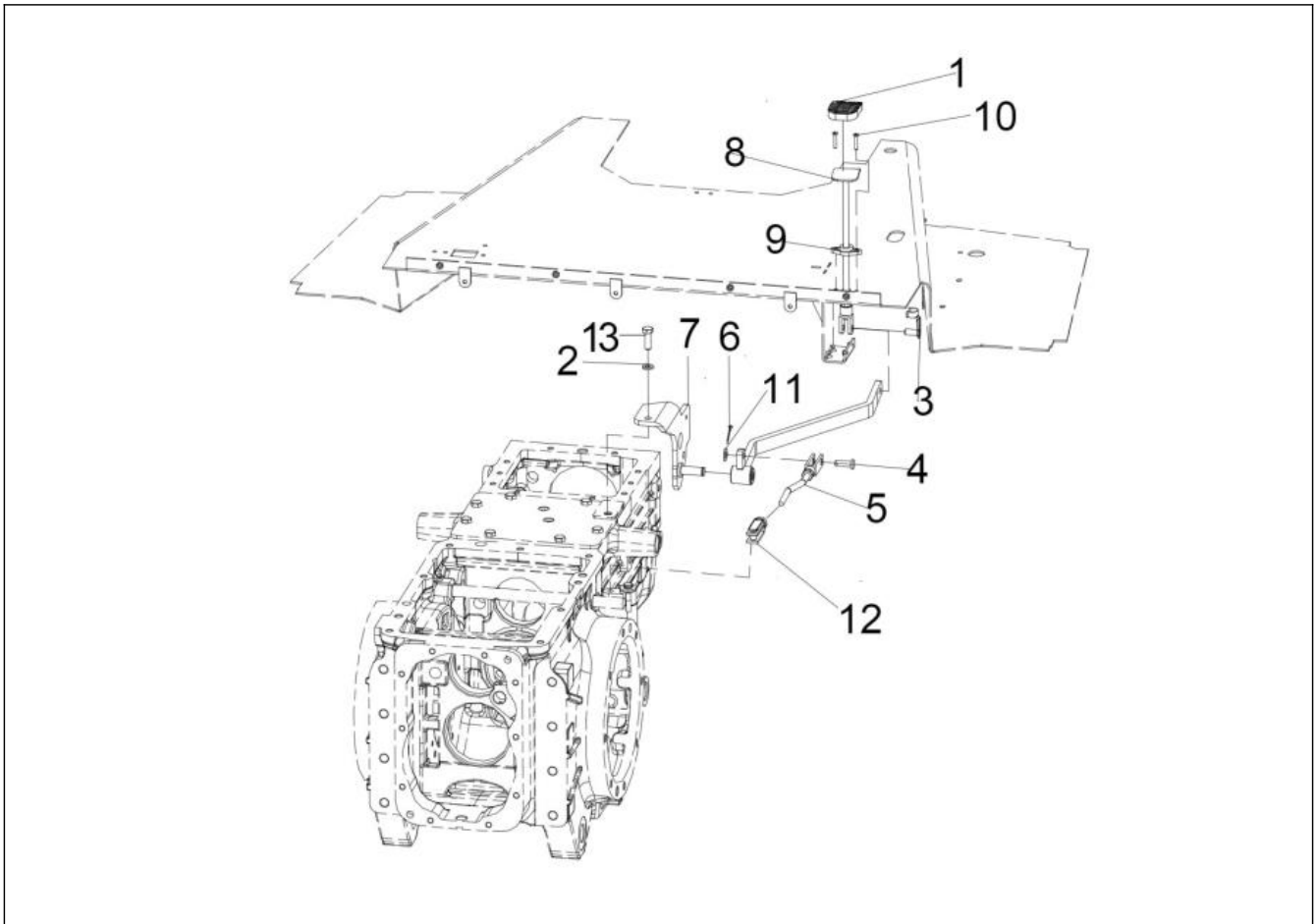
## BRAKES &amp; CONTROLS

## BC-17\_FORWARD/REVERSE LEVER ASSY



Sr.No	Part Code	Description	Qty	Int.	Cut Off	Remarks
1	300178164B	LOWER HUB ASSY FOR FWD REV	1			
2	300187319B	PULL PUSH CABLE FOR FWD REV SOLIS 60	1			
3	20005338AA	HEX SCREW M12X1.75X35-10.9 SA3NS	2			
4	20004940AB	M/C WASHER DIA 13*DIA 24*2.5	2			
5	300178158B	FWD REV CABLE MTG BKT ASSY	1			
6	300062998A	ES BOLT	1			
7	20003357AF	HEX NUT M10 -8 SA4GS	1			
8	300036223A	FORK PARKING BRAKE	1			
9	20005032AA	SPRING COTTER SLEEVE 6X30 HEAVY DUTY DIN 1481 ISO 8752 BN 876	1			

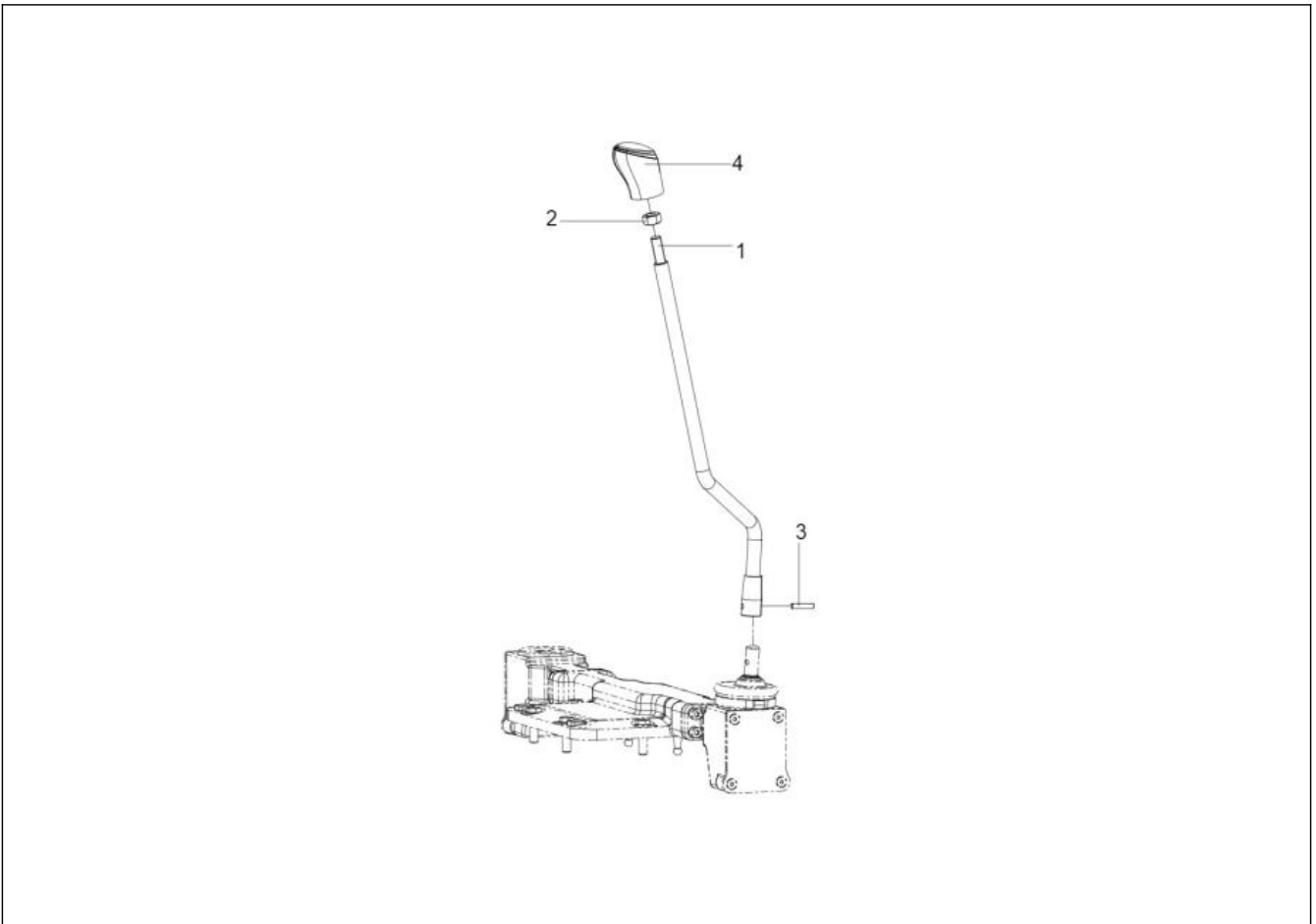
BRAKES & CONTROLS  
BC-18\_DIFFERENTIAL LOCK ASSY



Sr.No	Part Code	Description	Qty	Int.	Cut Off	Remarks
1	10086042AC	COVER FOR FOOT THROTTLE	1			
2	20005518AA	SPRING WASHER B-10 TYPE A IS:3067-1972	1			
3	10083095AA	ES BOLT (FOR10X20 FORK HEAD) WITH SECURI	1			
4	300032085A	LINK PIN	1			
5	300033141A	TIE ROD	1			
6	20005526AA	SPLIT PIN DIA 2*25	1			INTERCHANGEABLE WITH 20005526AA (ROHS)
7	300303568A	BRACKET FOR DIFF LOCK - 2	1			
8	10084448AA	DIFF LOCK PEDAL ASSY	1			
9	10083082AB	FLANGE BEARING 4WD LEVER	1			
10	20005538AA	SLOTTED CHEESE HEAD SCREW M5*25	2			
11	20005523AA	PLAIN WASHER A 10.5 IS:5370 STEEL	1			
12	10081719AB	YOKE SUB ASSY	2			
13	20002016AC	HEX. HEAD SCREW M10 X 1.5 X 30 8-8 SA4JS	1			NOT SHOWN

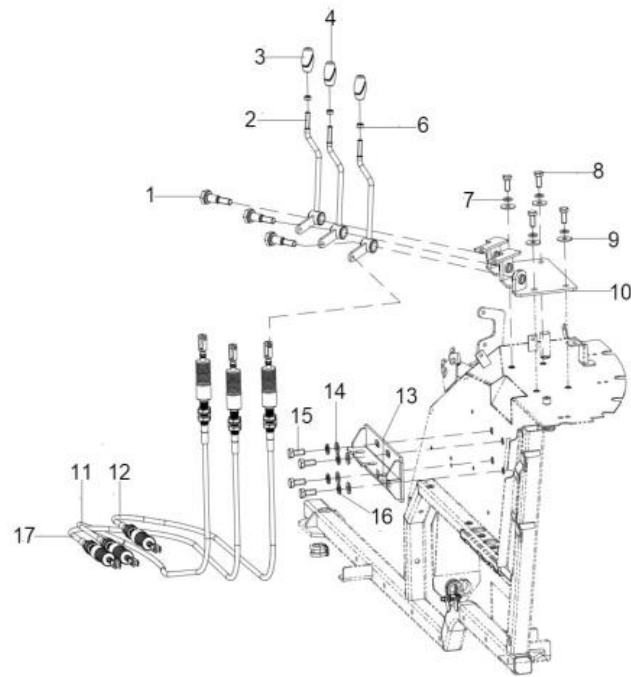


BRAKES & CONTROLS  
BC-19\_RANGER LEVER ASSY



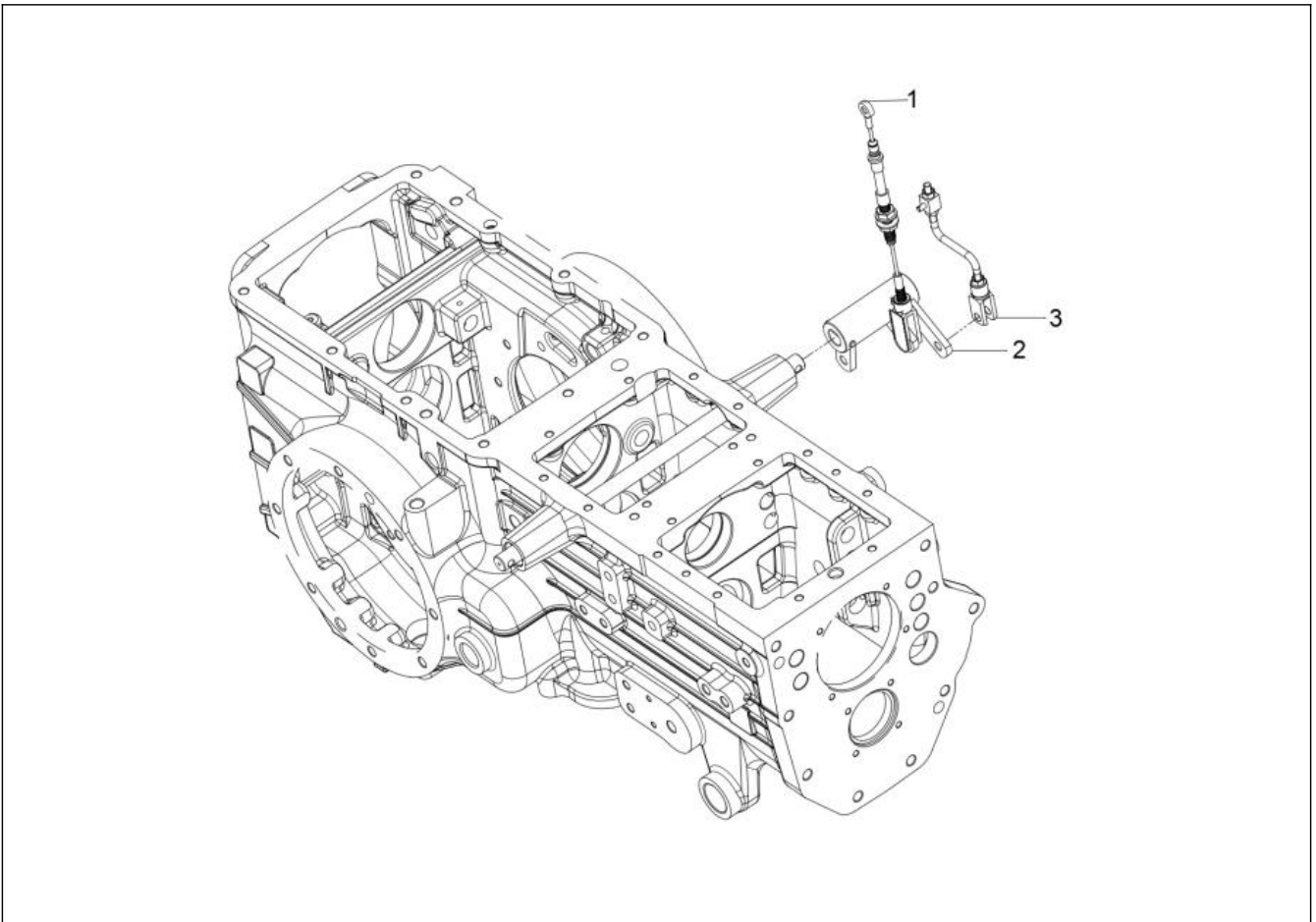
Sr.No	Part Code	Description	Qty	Int.	Cut Off	Remarks
1	300182891D	RANGE LEVER ROD ASSY	1			
2	20003359AC	HEX NUTM12X1.5 -8 SA3NS	1			
3	20002817AA	DOWEL(6*30)	1			
4	300180692C	KNOB RANGE SHIFTER	1			

BRAKES & CONTROLS  
BC-20\_DCV LEVER



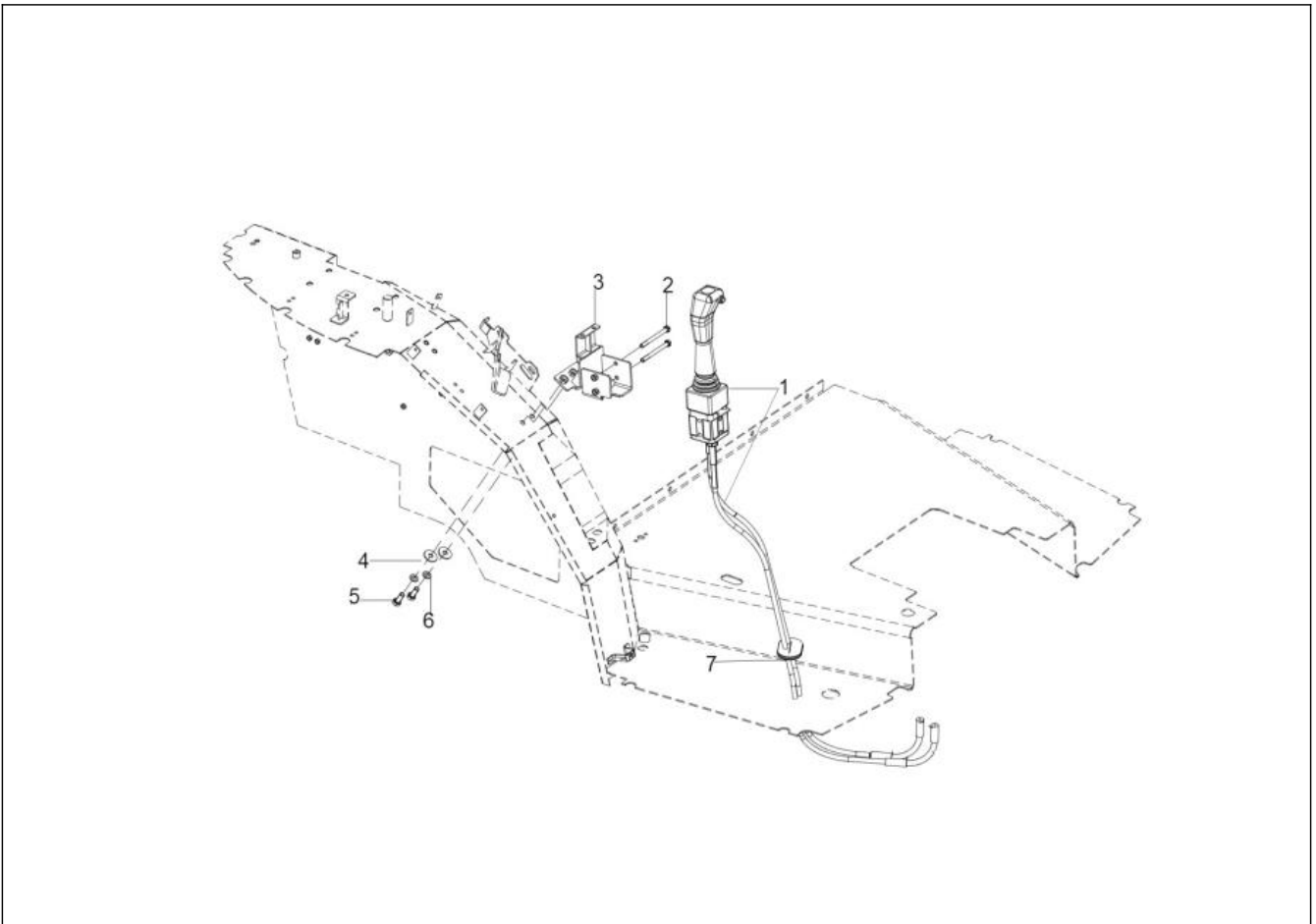
Sr.No	Part Code	Description	Qty	Int.	Cut Off	Remarks
1	300172165A	M12 SPL BOLT FOR LEVER MTG	3			
2	300173722B	DCV LEVER ASSY	3			
3	300180679C	KNOB DCV1	1			
4	300180680C	DCV KNOB2	1			
6	20005504AA	HEX NUT M8X1.25 -8 SA4GS	3			
7	20005518AA	SPRING WASHER B-10 TYPE A IS:3067-1972	4			
8	20005553AA	HEX HEAD SCREW M10X1.5X25 SA4GS	4			
9	20005523AA	PLAIN WASHER A 10.5 IS:5370 STEEL	4			
10	300173625B	DCV LEVER MTG BKT ASSY	1			
11	300184076C	PULL PUSH CABLE ASSY DCV 1	1			
12	300184081C	PULL PUSH CABLE ASSY DCV 3 SOLIS60	1			
13	300173817A	DCV WIRE MTG ASSY UPPER	1			
14	20004940AB	M/C WASHER DIA 13*DIA 24*2.5	4			
15	20005682AA	HEX SCREW M12X1.75X25 - 10.9 SA4GS	4			
16	20004993AB	SPRING WASHER B-12TYPE-A IS:3063-1972	4			
17	300184077C	PULL PUSH CABLE ASSY DCV 2 SOLIS60	1			

BRAKES & CONTROLS  
BC-21\_PARKING LEVER ASSY



Sr.No	Part Code	Description	Qty	Int.	Cut Off	Remarks
1	300173010B	PARKING WIRE ASSY	1			
2	300187557C	PARKING LEVER HUB ASSY	1			
3	300174682C	ROD ASSEMBLY PARKING DATB	1			

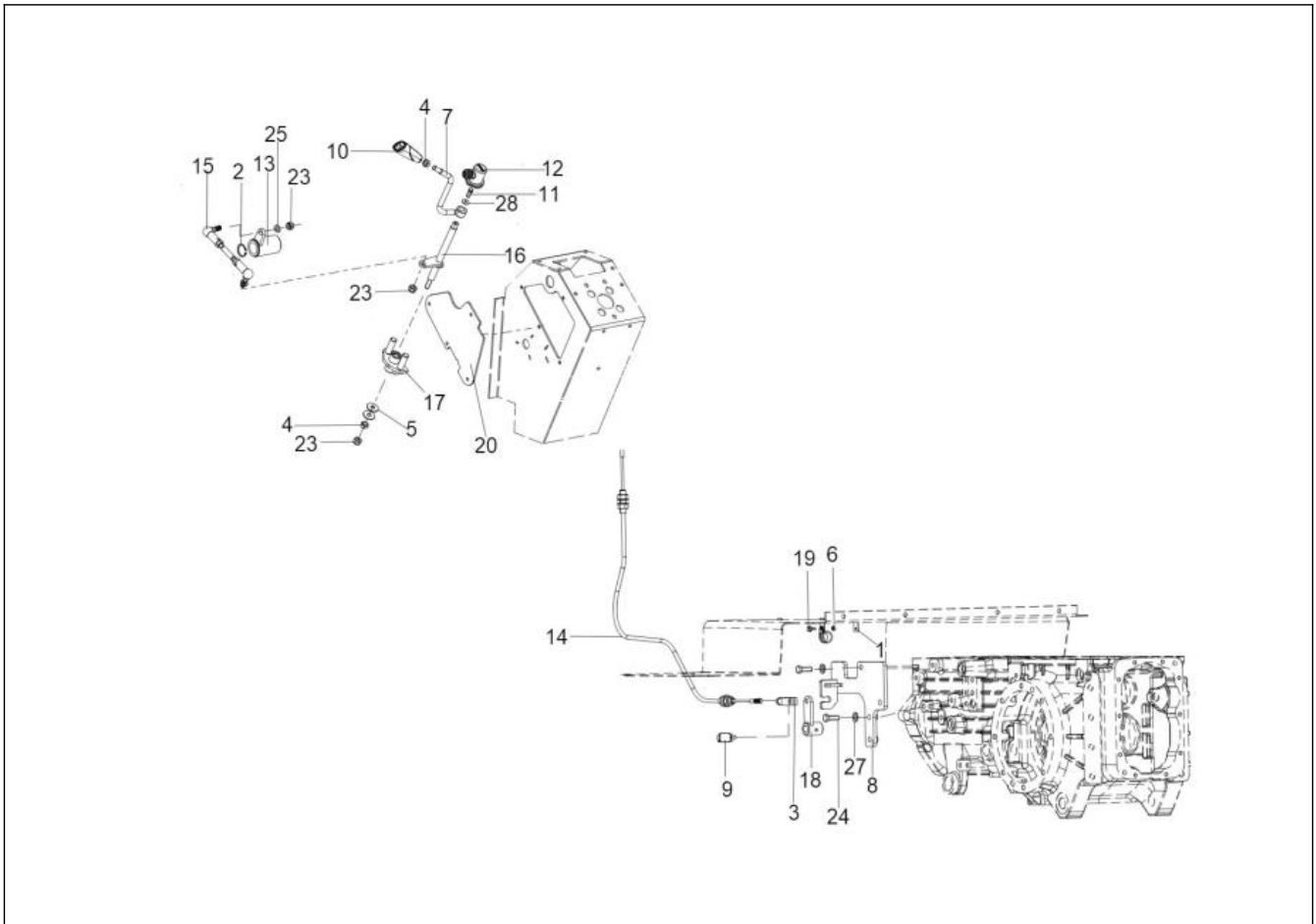
BRAKES & CONTROLS  
BC-22\_JOYSTICK ASSY



Sr.No	Part Code	Description	Qty	Int.	Cut Off	Remarks
1	300191838B	JOYSTIC LEVER & CABLE ASSY	1			
2	20005110AA	HEX. BOLT M8X1.25X90 8.8 SA4JS	2			
3	300184126B	JOY STICK MTG BKT ASSY	1			
4	20005523AA	PLAIN WASHER A 10.5 IS:5370 STEEL	2			
5	20005553AA	HEX HEAD SCREW M10X1.5X25 SA4GS	2			
6	20005518AA	SPRING WASHER B-10 TYPE A IS:3067-1972	2			
7	300191581A	GROMMET FOR DCV WIRES	1			

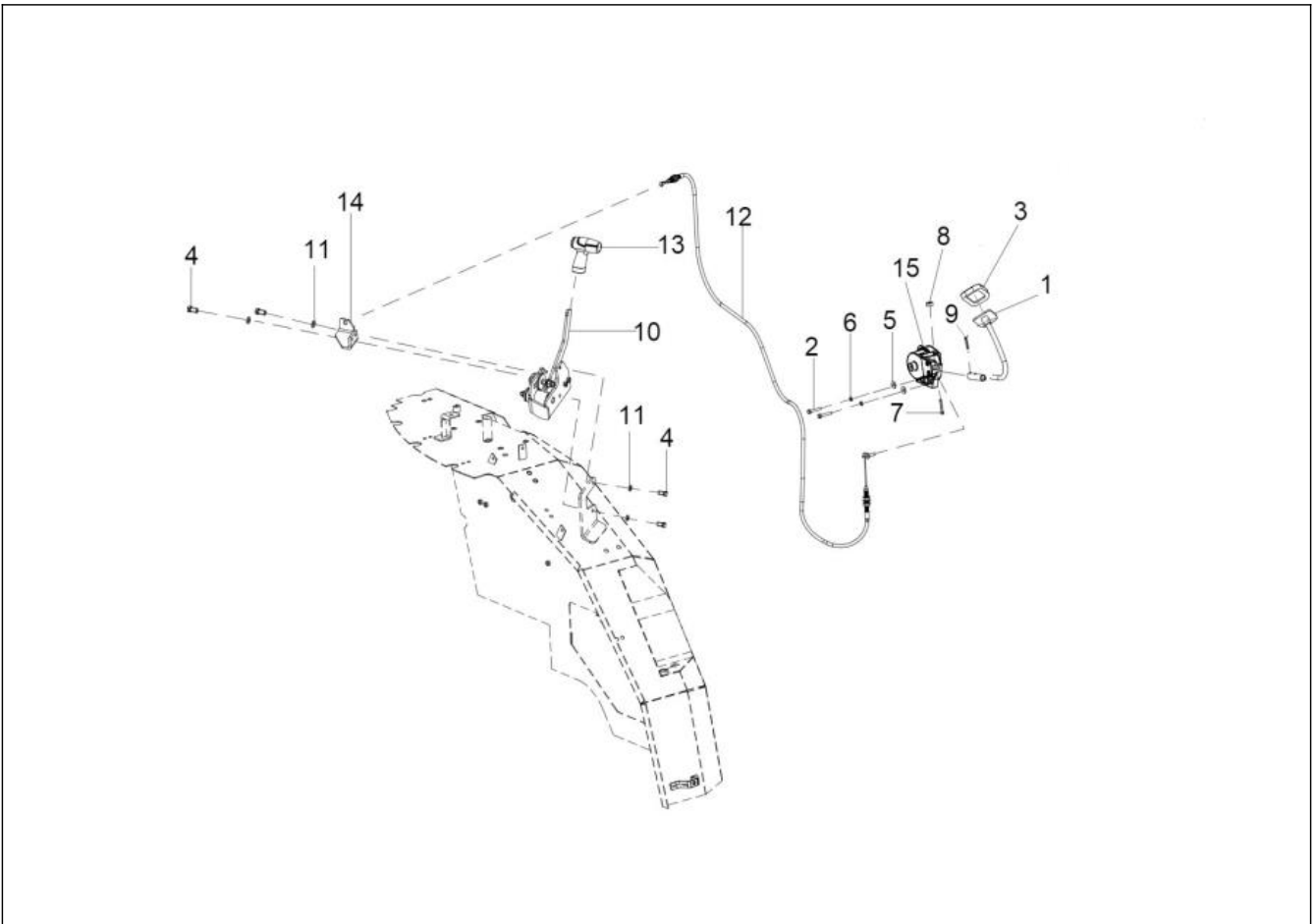


BRAKES & CONTROLS  
BC-23\_SHUTTLE LEVER ASSY



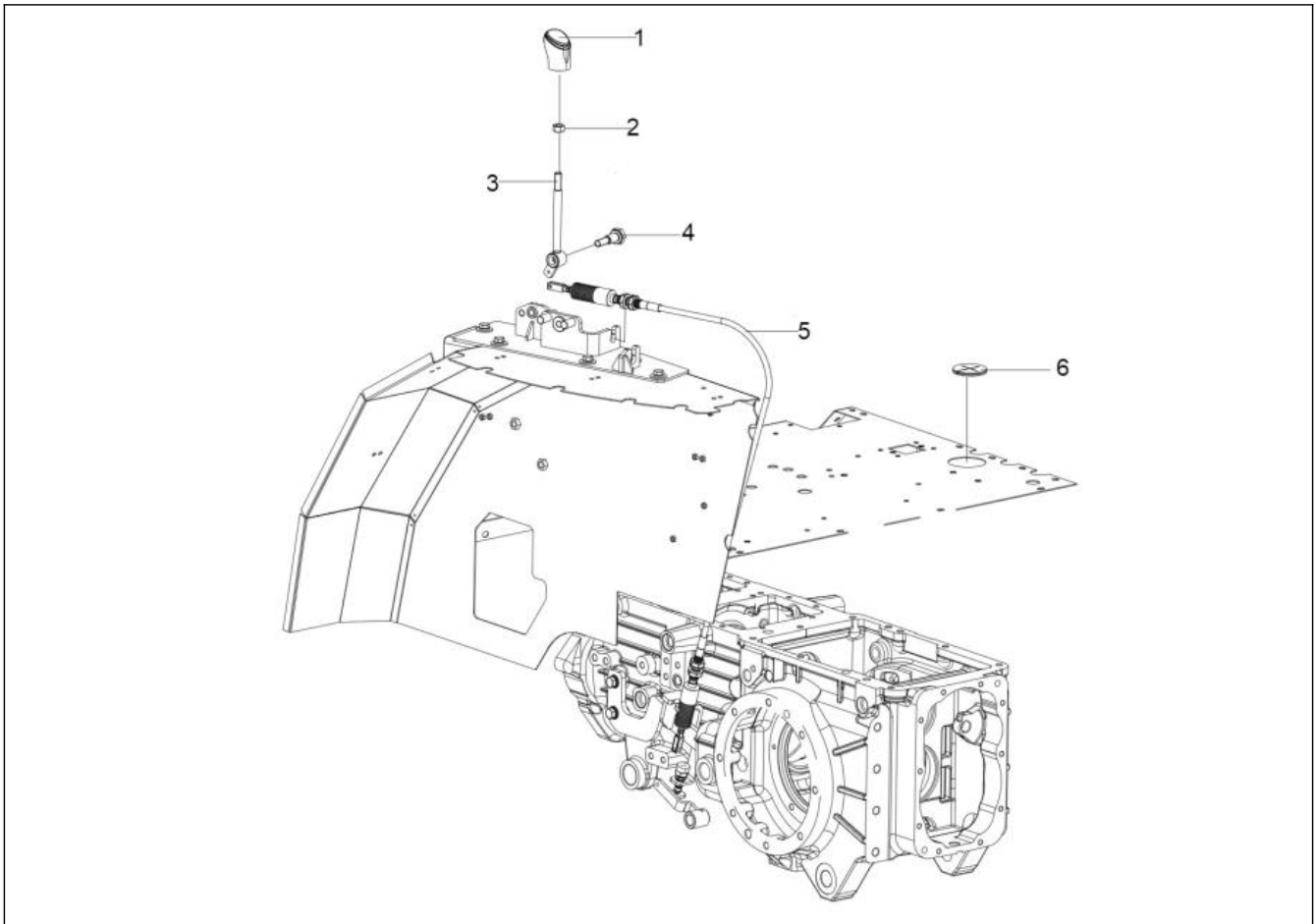
Sr.No	Part Code	Description	Qty	Int.	Cut Off	Remarks
1	300093159A	BRACKET HARNESS CLAMP	3			
2	04020200030	EXTERNAL CIRCLIP A - 30	1			
3	300036223A	FORK PARKING BRAKE	2			
4	20003357AF	HEX NUT M10 -8 SA4GS	5			
5	20005523AA	PLAIN WASHER A 10.5 IS:5370 STEEL	2			
6	20005491AA	HEX NUT M6 -8 SA4GS	1			
7	300279662B	FWD REV LEVER ASSY	1			
8	300178158B	FWD REV CABLE MTG BKT ASSY	1			
9	300062998A	ES BOLT	2			
10	300177595C	KNOB FNR	1			
11	20005569AA	HEX SCREW M6X1X20	1			
12	300192014A	GROMMET FOR F/ R LEVER	1			
13	300188785A	SHUTTLE LEVER UPPER HUB ASSY SOLIS 60	1			
14	300187319B	PULL PUSH CABLE FOR FWD REV SOLIS 60	1			
15	300082542B	BALL JOINT M10X1.5	3			
16	300192286B	SHUTTLE LEVER ASSY SOLIS60	1			
17	10079583AA	IGUES BUSH TYPE F PSM- 1618-42	1			
18	300178164B	LOWER HUB ASSY FOR FWD REV	1			
19	20005542AA	HEX FLANGE SCREW M6*1*16 -8.8 SA4GS	1			
20	300191855A	DASHBOARD LH BACK PLATE	1			
23	20003377AD	HEX NYLOC NUT M10 8 SA4GS	3			
24	20005338AA	HEX SCREW M12X1.75X35- 10.9 SA3NS	2			
25	20005518AA	SPRING WASHER B-10 TYPE A IS:3067-1972	1			
27	20004940AB	M/C WASHER DIA 13*DIA 24*2.5	2			
28	20005524AA	PLAIN WASHER A 6.4 IS:5370 STEEL	1			

BRAKES & CONTROLS  
BC-24\_HAND THROTTLE ASSY



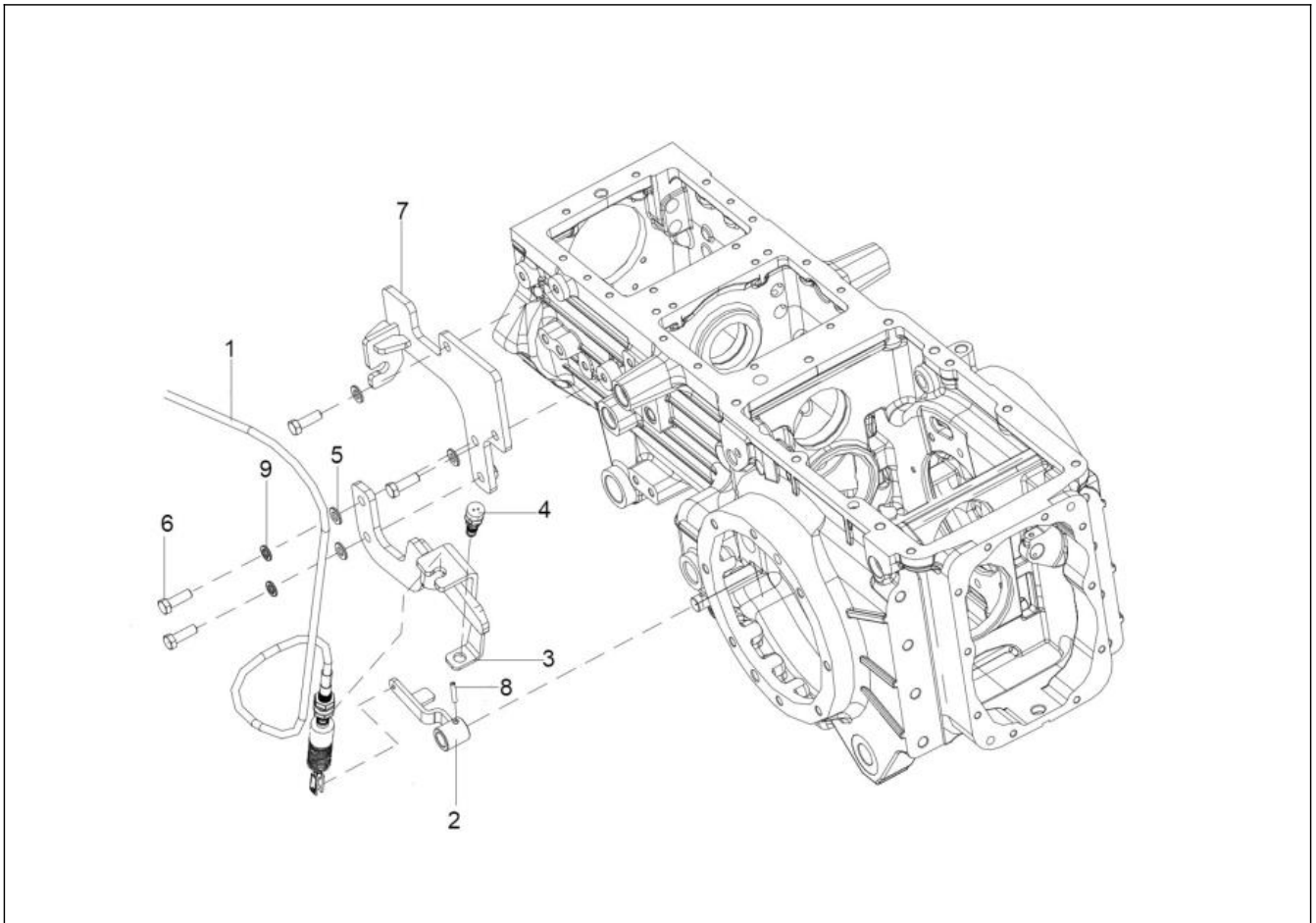
Sr.No	Part Code	Description	Qty	Int.	Cut Off	Remarks
1	10068438AC	FOOT PEDAL ASSY	1			
2	20004598AB	HEX HEAD SCREW M5X30-8.8 SA4GS	2			
3	10086042AC	COVER FOR FOOT THROTTLE	1			
4	20005496AA	HEX HEAD SCREW M6X1X14 8.8 SA4GS	4			
5	300032712A	WASHER	2			
6	20005515AA	SPRING WASHER B-5 TYPE A IS:3067-1972	2			
7	10083042AB	SLOTTED CHEESEHEAD SCREW M4X30	1			
8	300037247A	HEX NUT M4-8 SA4G	1			
9	20003130AA	SPRING COTTER SLEEVE	1			
10	300249731B	HAND THROTTLE ASSEMBLY	1			
11	20004984AA	PUNCH WASHER A 6.6 IS:2016 STEEL	4			
12	300247318A	HAND THROTTLE WIRE ASSEMBLY	1			
13	300177558C	KNOB HAND THROTTLE	1			
14	300249733A	WIRE MTG BRACKET TOP ASSEMBLY	1			
15	10017953AA	ELECTRONIC ACCLERATOR PEDAL CRDI-75	1			

BRAKES & CONTROLS  
BC-25-1\_4 WHEEL DRIVE ASSY



Sr.No	Part Code	Description	Qty	Int.	Cut Off	Remarks
1	300180694C	KNOB 2WD/4WD	1			
2	20003359AC	HEX NUTM12X1.5 -8 SA3NS	1			
3	300184889B	4WD LEVER ASSY	1			
4	300172165A	M12 SPL BOLT FOR LEVER MTG	1			
5	300181225C	PULL PUSH CABLE ASSY FOR 2WD 4WD LEVER	1			
6	300276609A	GROMMET FOR FLEXIBLE PIPES	1			

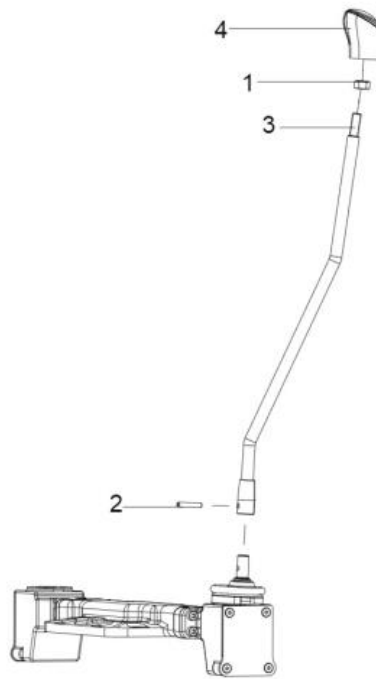
BRAKES & CONTROLS  
BC-25-2\_4WHEEL DRIVE ASSY



Sr.No	Part Code	Description	Qty	Int.	Cut Off	Remarks
1	300181225C	PULL PUSH CABLE ASSY FOR 2WD 4WD LEVER	1			
2	300181413B	HUB ASSY FOR 2WD 4WD	1			
3	300184417B	4WD CABLE MTG BKT LOWER ASSY	1			
4	300157154B	PLUNGER SWITCH NO	1			
5	20004940AB	M/C WASHER DIA 13*DIA 24*2.5	4			
6	20005338AA	HEX SCREW M12X1.75X35-10.9 SA3NS	4			
7	300178158B	FWD REV CABLE MTG BKT ASSY	1			
8	10084523AA	SPRING COTTER SLEEVE(DIA 6X30) DIN-148	1			
9	20004993AB	SPRING WASHER B-12TYPE-A IS:3063-1972	2			

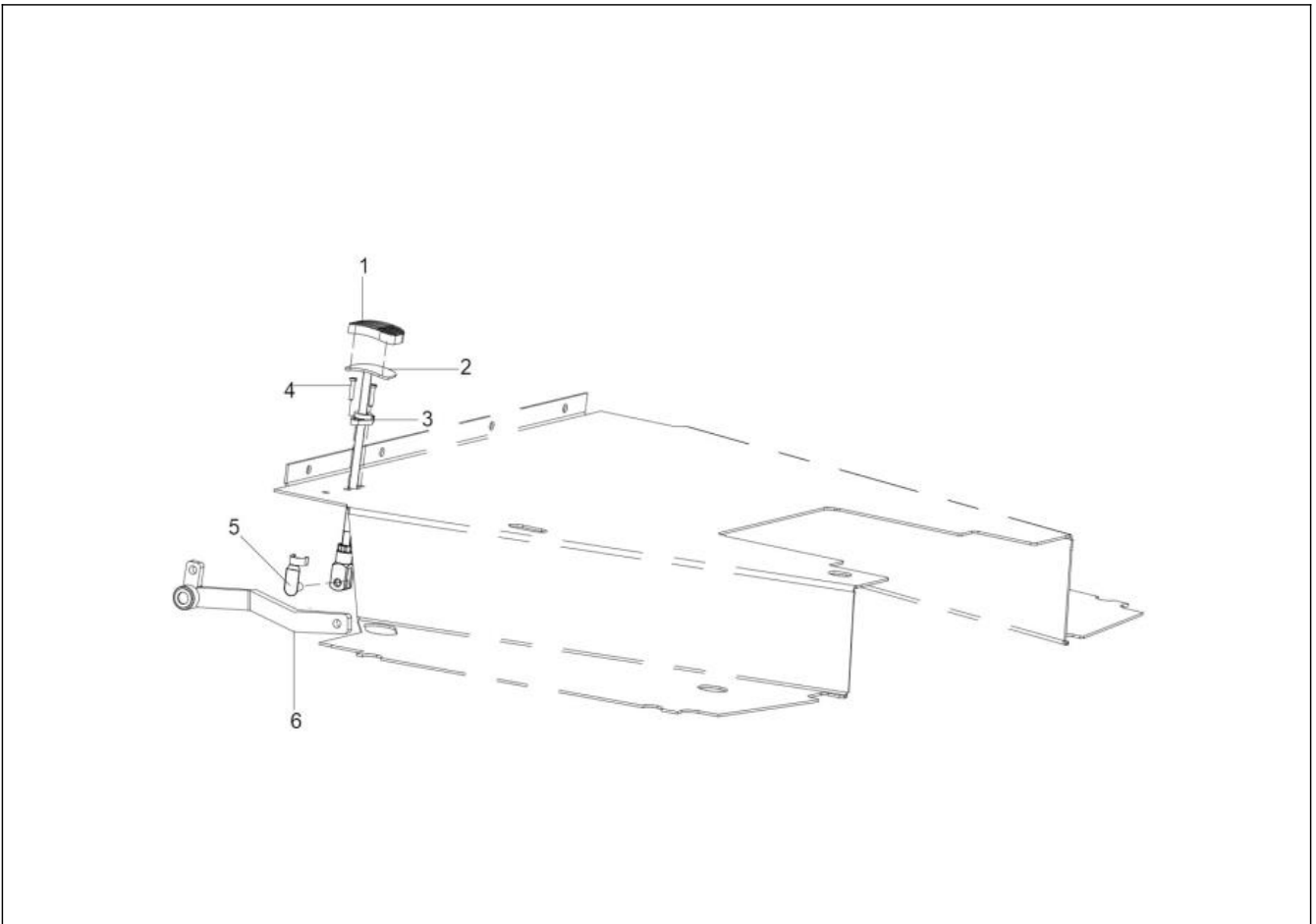


BRAKES & CONTROLS  
BC-26\_GEAR LEVER ASSY



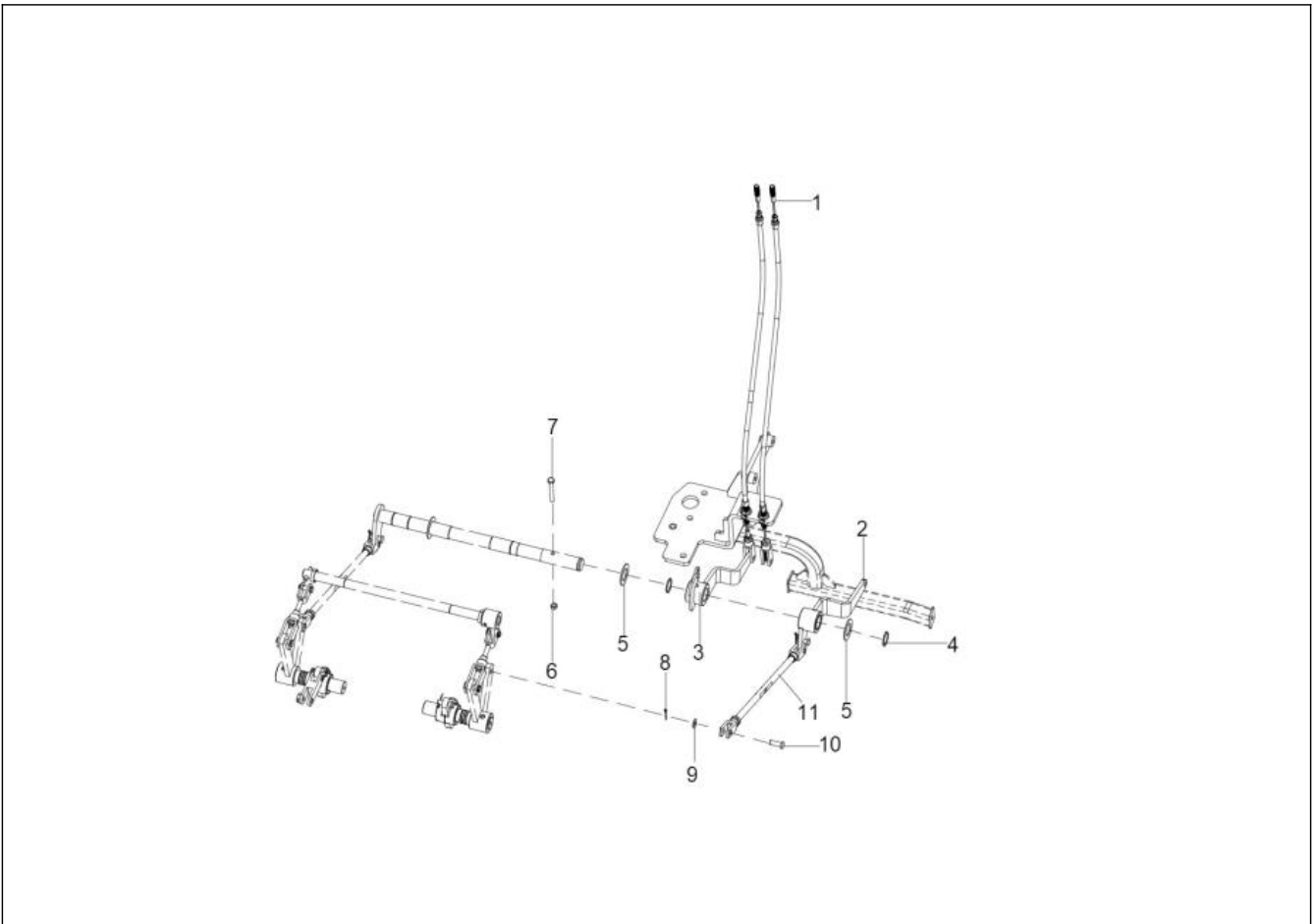
Sr.No	Part Code	Description	Qty	Int.	Cut Off	Remarks
1	20005581AA	HEX LOCK NUT M12X1.5 (TRIVALENT)	1			
2	20004020AA	SPRING PIN (HEAVY DUTY) DIN-1481, ISO-8752, BN- 876(D6X40)	1			
3	300175018C	GEAR LEVER ROD ASSY	1			
4	300176460C	3 CYL STAGE V GEAR KNOBS	1			

BRAKES & CONTROLS  
BC-27\_DIFF LOCK ACTUATION



Sr.No	Part Code	Description	Qty	Int.	Cut Off	Remarks
1	10086042AC	COVER FOR FOOT THROTTLE	1			
2	10084448AA	DIFF LOCK PEDAL ASSY	1			
3	10083082AB	FLANGE BEARING 4WD LEVER	1			
4	20005538AA	SLOTTED CHEESE HEAD SCREW M5*25	2			
5	10083095AA	ES BOLT (FOR10X20 FORK HEAD) WITH SECURI	1			
6	10083602AC	DIFFERENTIAL_LOCK_LOWER _LEVER_ASY	1			

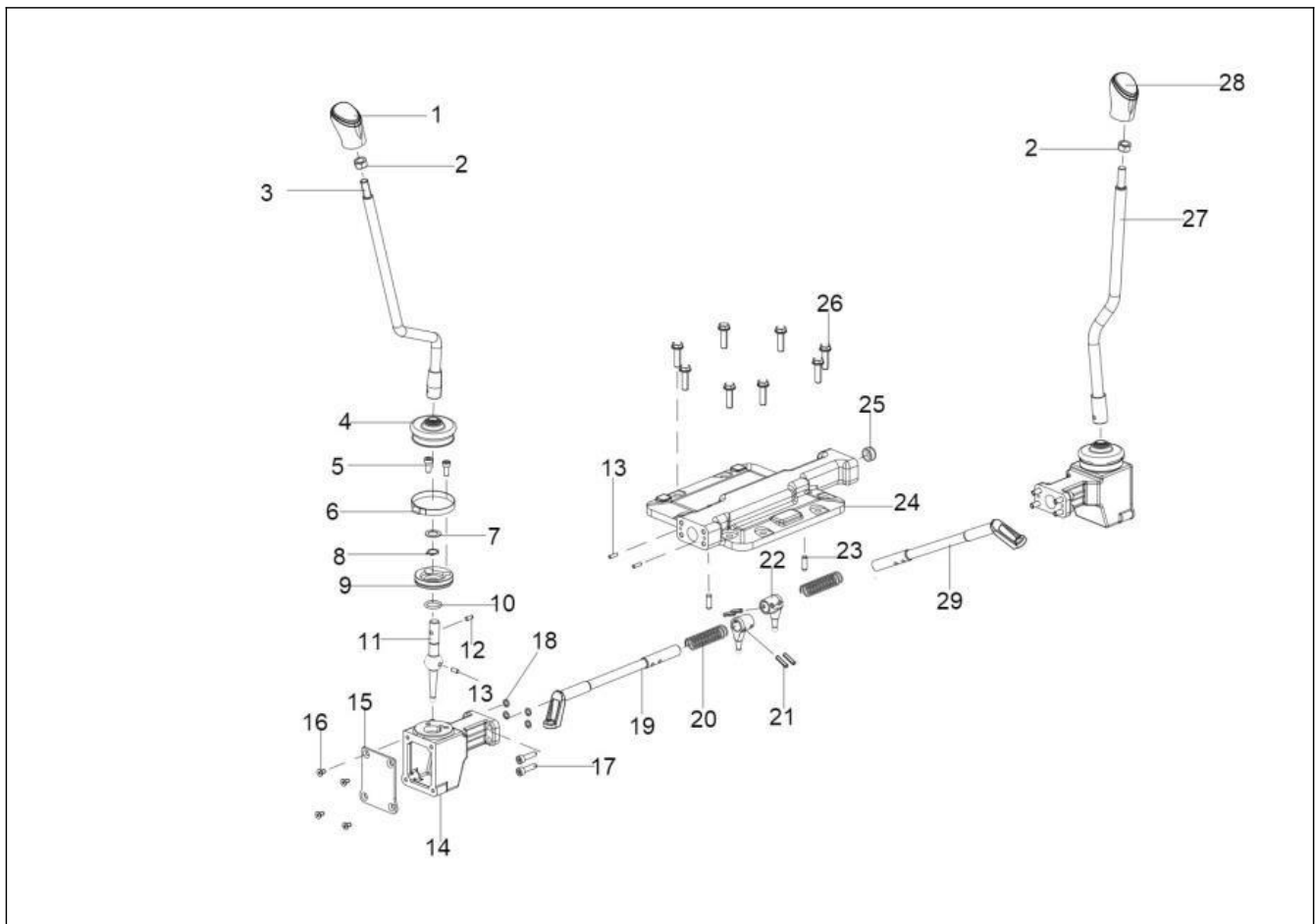
BRAKES & CONTROLS  
BC-28\_ BRAKE ASSY



Sr.No	Part Code	Description	Qty	Int.	Cut Off	Remarks
1	300258414A	BRAKE WIRE ASSY	2			
2	300346803A	BRAKE PEDAL LOWER LEVER ASSY 2	1			
3	10083620AC	BRAKE PEDAL LOWER LEVER ASSY	1			
4	04020200030	EXTERNAL CIRCLIP A - 30	3			
5	10004497AA	WASHER BRAKE PEDAL SHAFT	3			
6	20003355AE	HEX NUT M8X1.25 -8 SA2JS	1			
7	20004136AA	HEX HEAD BOLT M8X1.25X55	1			
8	20005526AA	SPLIT PIN DIA 2*25	4			
9	20005625AA	M/CD WASHER 10.5*21*2	4			
10	10087974AA	LINK PIN	4			
11	10086284AB	TIE ROD FOR BRAKE (BRAKE SIDE)	2			

## BRAKES &amp; CONTROLS

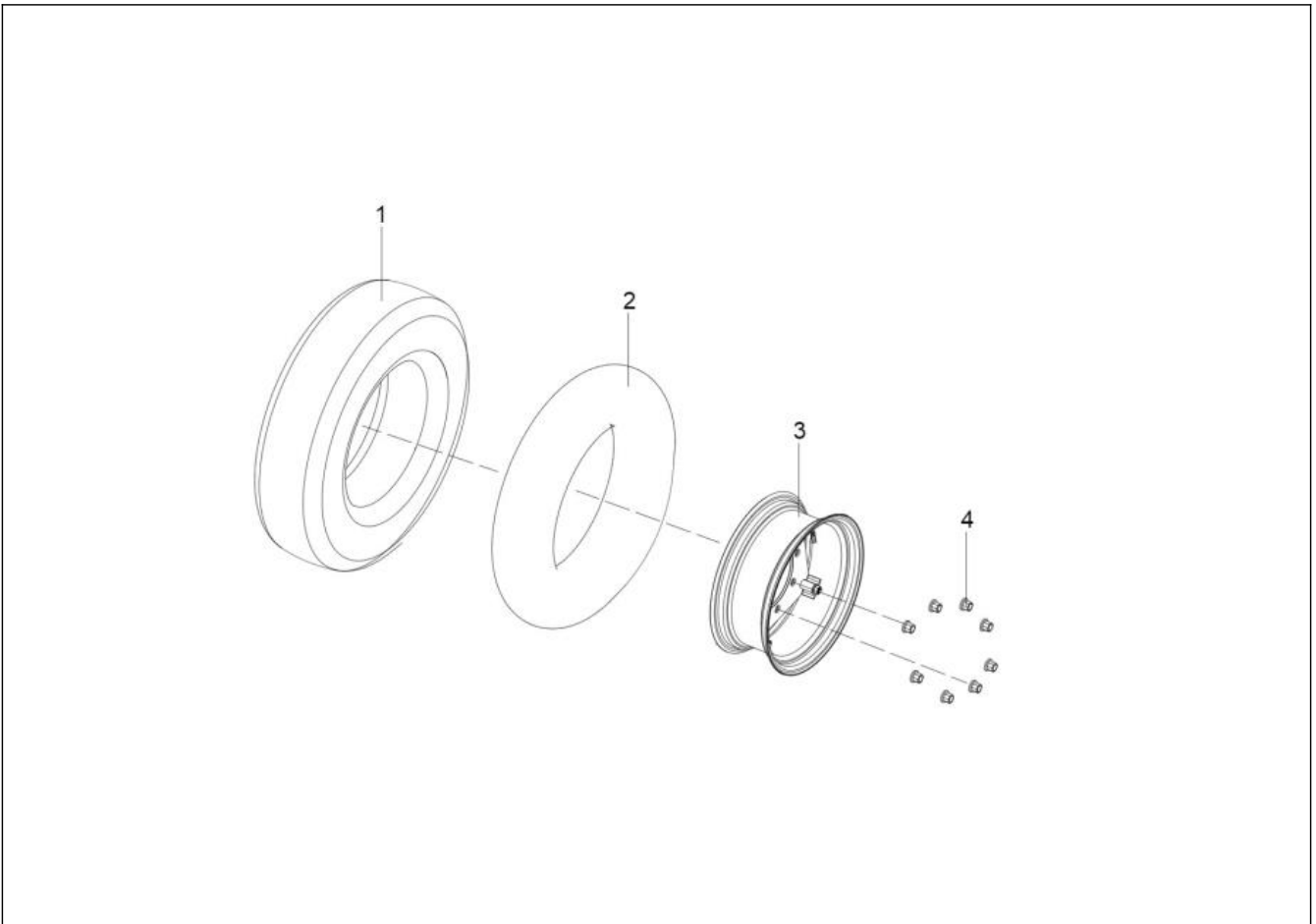
## BC-29\_SHIFTER HOUSING LEVER ASSY



Sr.No	Part Code	Description	Qty	Int.	Cut Off	Remarks
1	300180692C	KNOB RANGE SHIFTER	1			
2	20003358AE	HEX NUT M12X1.75 -8 SA4GS	2			
3	300182891D	RANGE LEVER ROD ASSY	1			
4	10040686AB	RUBBER BOOT FOR LEVER HOUSING	2			
5	300003122A	SOCKET HEAD SCREW M8X1.25 SA4GS	4			
6	20004004AB	HOSE WORM CLAMP DIA 68 IS-4762	2			
7	10065179AC	SHIM LEVER HOUSING	2			
8	04020200016	CIRCLIP (16 X0.4 N IS:3075 PART 1)	2			
9	10069728BA	COVER SHIFTER HOUSING	2			
10	10065742AB	O-RING &#216;22X&#216;3.5	2			
11	10065421AD	LEVER SMALL	2			
12	20005032AA	SPRING COTTER SLEEVE 6X30 HEAVY DUTY DIN 1481 ISO 8752 BN 876	2			
13	10065744AC	DOWEL PIN &#216;6X14	2			
14	10040681AB	HOUSING FOR LEVER	2			
15	10069730AB	SIDE PLATE SHIFTER HOUSING	2			
16	20003851AB	HEXAGON SOCKET COUNTER SUNK HEAD SCREW M6X12 (BN 1422, DIN 7991)	8			
17	20004904AA	ALLEN SCREW M8 X 25	8			
18	20005517AA	SPRING WASHER B-8 TYPE A IS:3067-1972	8			
19	10040684AB	SHIFTER ROD (RANGE SIDE)	2			
20	10065180AC	SPRING FOR LEVER HOUSING RODS	2			
21	20004149AB	SPRING COTTER SLEEVE &#216;6X25 H.D DIN 1481	4			
22	10065182AC	SHIFTER PIN	2			
23	20003875AB	DOWEL PIN FOR SHIFTER HOUSING DIA8*25 (IS:2393)	2			
24	10069723AB	SHIFTER HOUSING	1			
25	300034599A	SEALING PLUG FOR SHIFTER HOUSING	1			
26	300044863A	HEX FLANGE SCREW M10X1.5X35	8			
27	300175018C	GEAR LEVER ROD ASSY	1			
28	300176460C	3 CYL STAGE V GEAR KNOBS	1			
29	10069726AB	SHIFTER ROD (SPEED SIDE)	1			

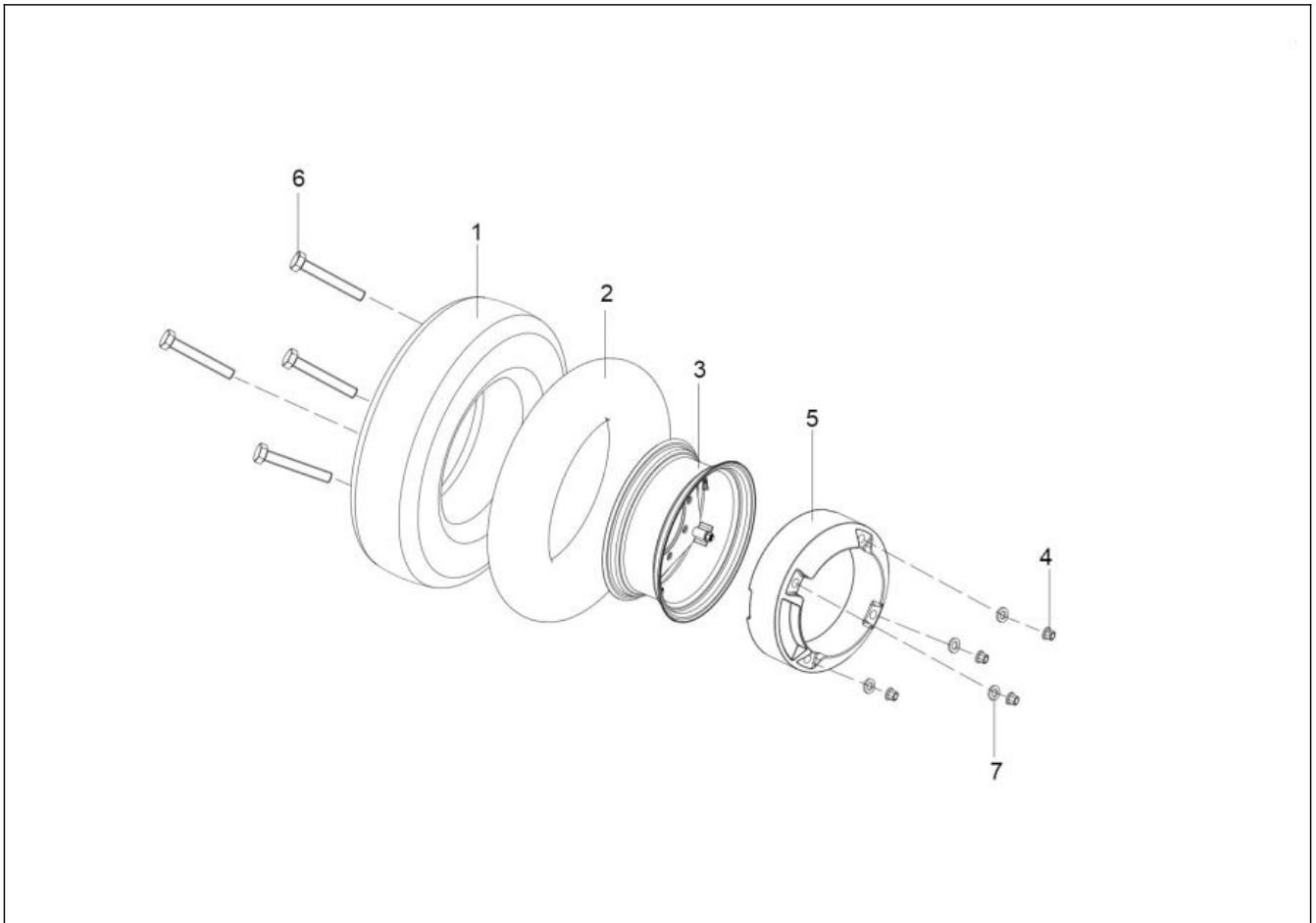


WHEELS  
WH-1\_FRONT WHEEL



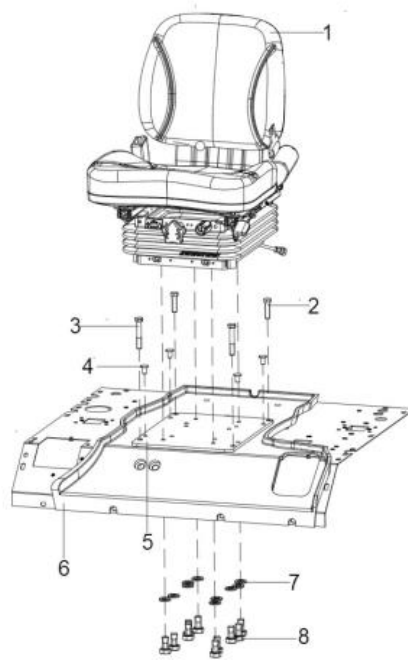
Sr.No	Part Code	Description	Qty	Int.	Cut Off	Remarks
1	20004455AA	WHEEL TYRE (FRONT)4WD 280/85 R24 AMAX RT	2			
1	20004542AA	TR FRONT 7.50-16 8PR BKT STEER FARM TT	2			
1	20004558AA	9.5-24 8PR BKT TR135 HD TT	2			
1	20004567AA	TR FRONT 250/85R24 AGRIMAX RT855 E 109A8	2			
2	20004559AA	9.5-24 TR-218A TUBE	2			
2	20004543AA	TR FRONT 7.50-16 TR-15 TUBE	2			
2	20004456AA	TR FRONT 11.2/12.4-24 TR- 218A TUBE	2			
3	10009826AA	FRONT WHEEL ASSY.(SILVER) DISC W 8*24	2			
3	10080948AA	BOLTEN FRONT WHEEL W10X24 SILVER PAINTED	2			
4	20005044AB	NUT FOR FRONT WHEEL 4WD	16			

WHEELS  
WH-2\_REAR WHEEL



Sr.No	Part Code	Description	Qty	Int.	Cut Off	Remarks
1	20004540AA	TR REAR 16.9-28 12PR BKT AS2001 TT	2			
1	20004569AA	TR R 420/85R28 AGRIMAX RT855 E 139A8/B S	2			
1	20004556AA	TR REAR 14.9-28 12PR BKT FARM2000 TT	2			
2	20004557AA	TR REAR 14.9-28 TR-218A TUBE	2			
2	20004570AA	TR REAR 16.9-28 TR-218A TUBE XL	2			
2	20004541AA	TR REAR 16.9-28 TR-218A TUBE XL	2			
3	10036770AA	REAR WHEEL RIM ASSY. (W15L X 28) (SILVER	2			
3	10082557AA	REAR WHEEL RIM ASSY. (W15L X 28) (SILVER	2			
3	10085683AA	TRACTOR REAR WHEEL[W13*28] SILVER PAINT	2			
4	20005580AA	HEX LOCK NUT M18X1.5 8 SA4GS	16			
5	10005665AF	REAR WHEEL WEIGHT (W/O PAINT)	2			
6	20004963AB	HEX BOLT M18X2.5X150	8			
7	20005522AA	SPRING WASHER B-18 TYPE A IS:3067-1972	8			

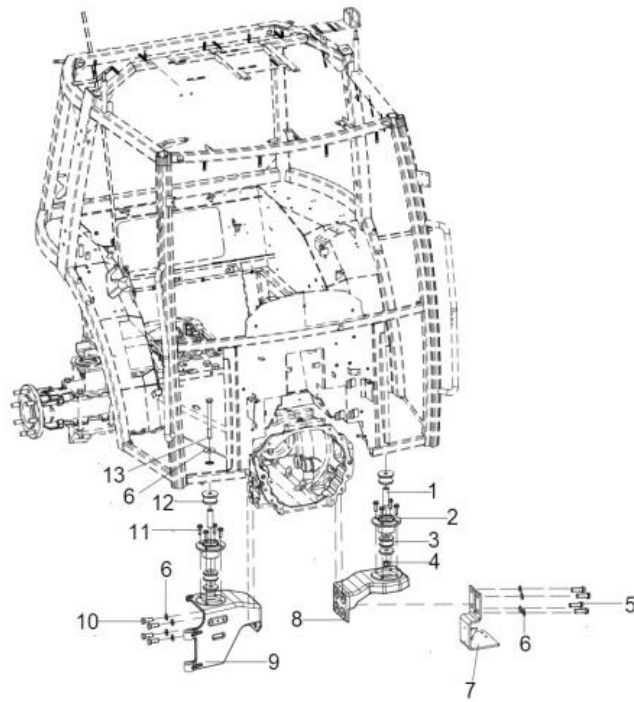
CABIN  
CB-1\_DRIVER SEAT



Sr.No	Part Code	Description	Qty	Int.	Cut Off	Remarks
1	300021763A	DRIVER SEAT	1			
2	20005754AA	HEX SCREW M12X1.5X45-10.9 SA3NS	2			
3	20003225AB	HEX BOLT M 12*1.75*45 8-8 SA3NS	2			
4	300344410A	GROMMET FOR SEAT AREA	4			
5	300349052A	SEAT BASE PLATE	1			
6	300189118A	REAR FLOOR MAT	1			
7	20005517AA	SPRING WASHER B-8 TYPE A IS:3067-1972	10			
8	20005559AA	HEX HEAD SCREW M8X1.25X16 -8.8 SA4GS	10			

## CABIN

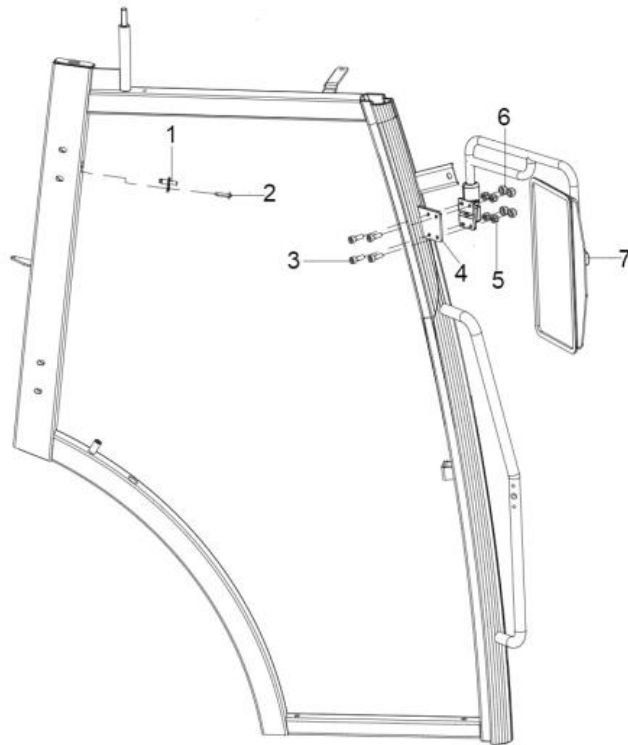
## CB-2\_CABIN MOUNTING BKT



Sr.No	Part Code	Description	Qty	Int.	Cut Off	Remarks
1	300035534B	SLEEVE-DAMPER MTG.	4			
2	300289297B	SLEEVE DAMPER MOUNTING HOUSING	2			
3	300035539A	DAMPER LOWER	2			
4	200000416B	HEX NYLOC NUT M14X2 10 SA4GS	4			
5	20004094AD	HEX BOLT M16X2X50 8.8 SA4GS	4			
6	20005456AA	PUNCHED WASHER A(16) IS:2016 STEEL	27			
7	300145187A	FRONT MTG OF FUEL TANK STAGE V	1			
8	300147403A	CABIN MOUNTING BRACKET LH	1			
9	300144091B	CABIN MTG BRACKET RH	1			
10	10080346AB	HEX BOLT	4			
11	20005123AA	HEX FLANGE SCREW M10X1.5X35-8.8 SA4NS	8			
12	300035537A	DAMPER UPPER	2			
13	20005547AA	HEX BOLT ,M16*2*175 10.9 SA4GS	2			

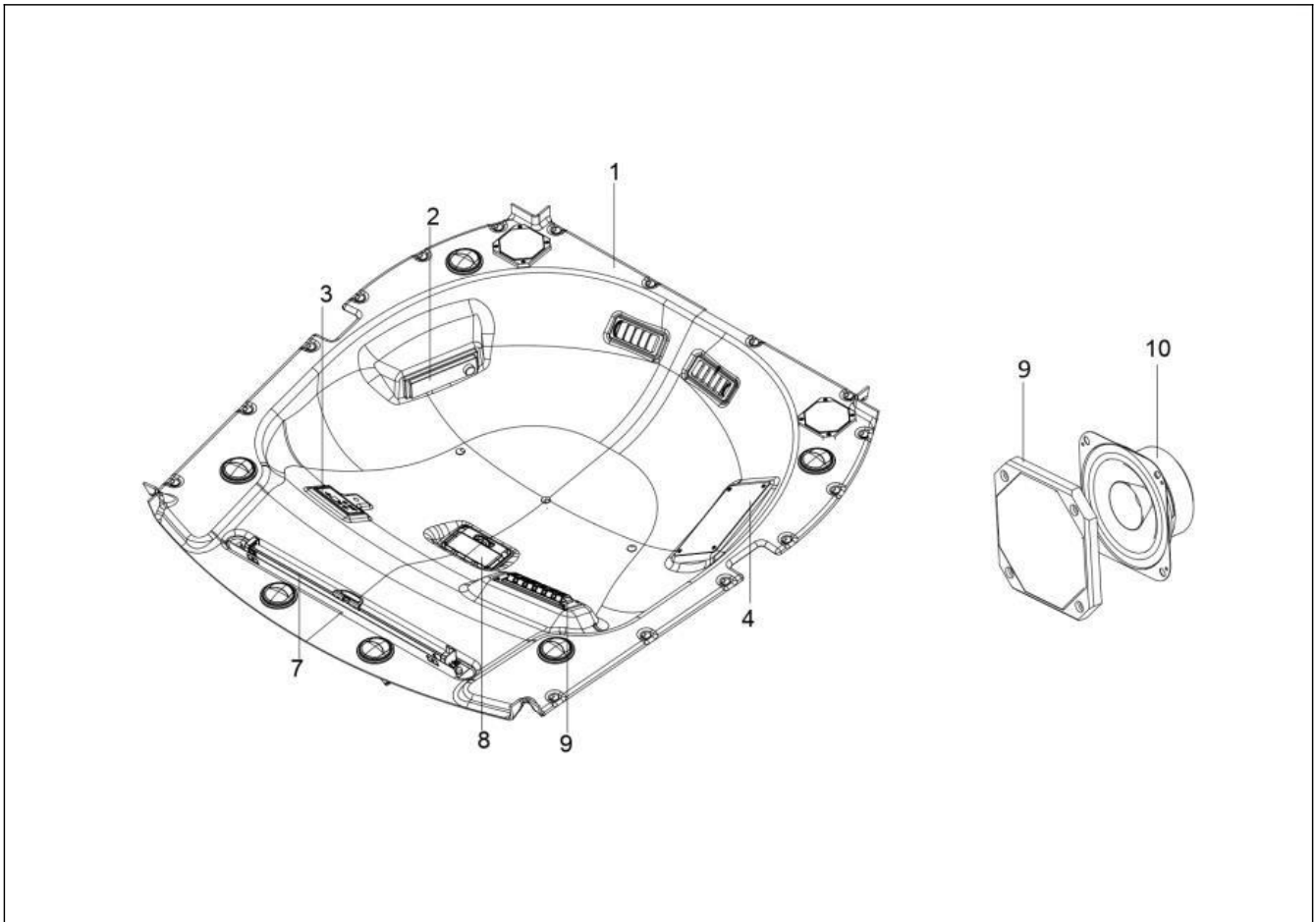


CABIN  
CB-3\_OSRVM MTG



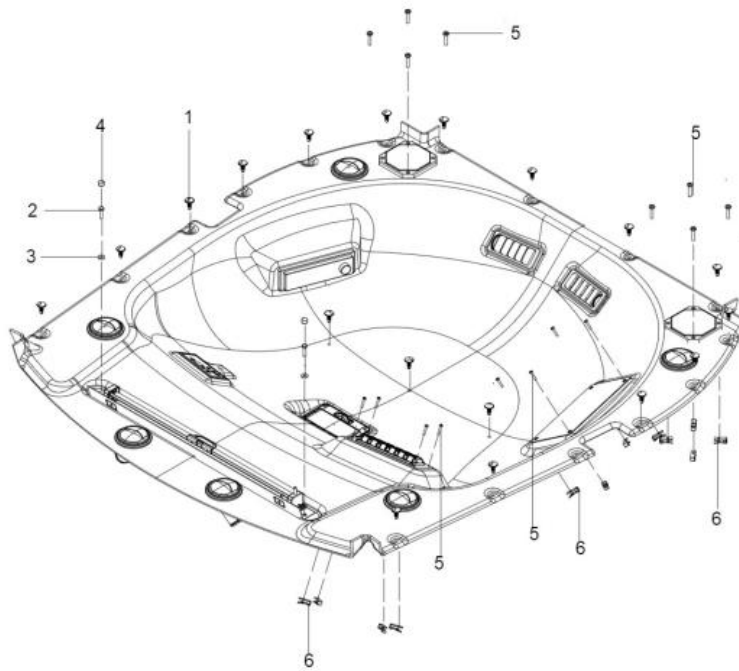
Sr.No	Part Code	Description	Qty	Int.	Cut Off	Remarks
1	10085702AA	DOOR SWITCH	1			
2	10085715AA	CROSS RECESSED PAN HEAD TAPPING SCREW	1			
3	300033833A	SOCKET HEAD SCREW	4			
4	300037209A	OSRVM BKT	1			
5	20004915AB	HEX NYLOC NUT M6 8	4			
6	10085706AA	NUT CAP M6	4			
7	300036287B	OSRVM FOR 110HP CABIN	1			

CABIN  
CB-4-1\_CANOPY AND HEADLINER ASSY



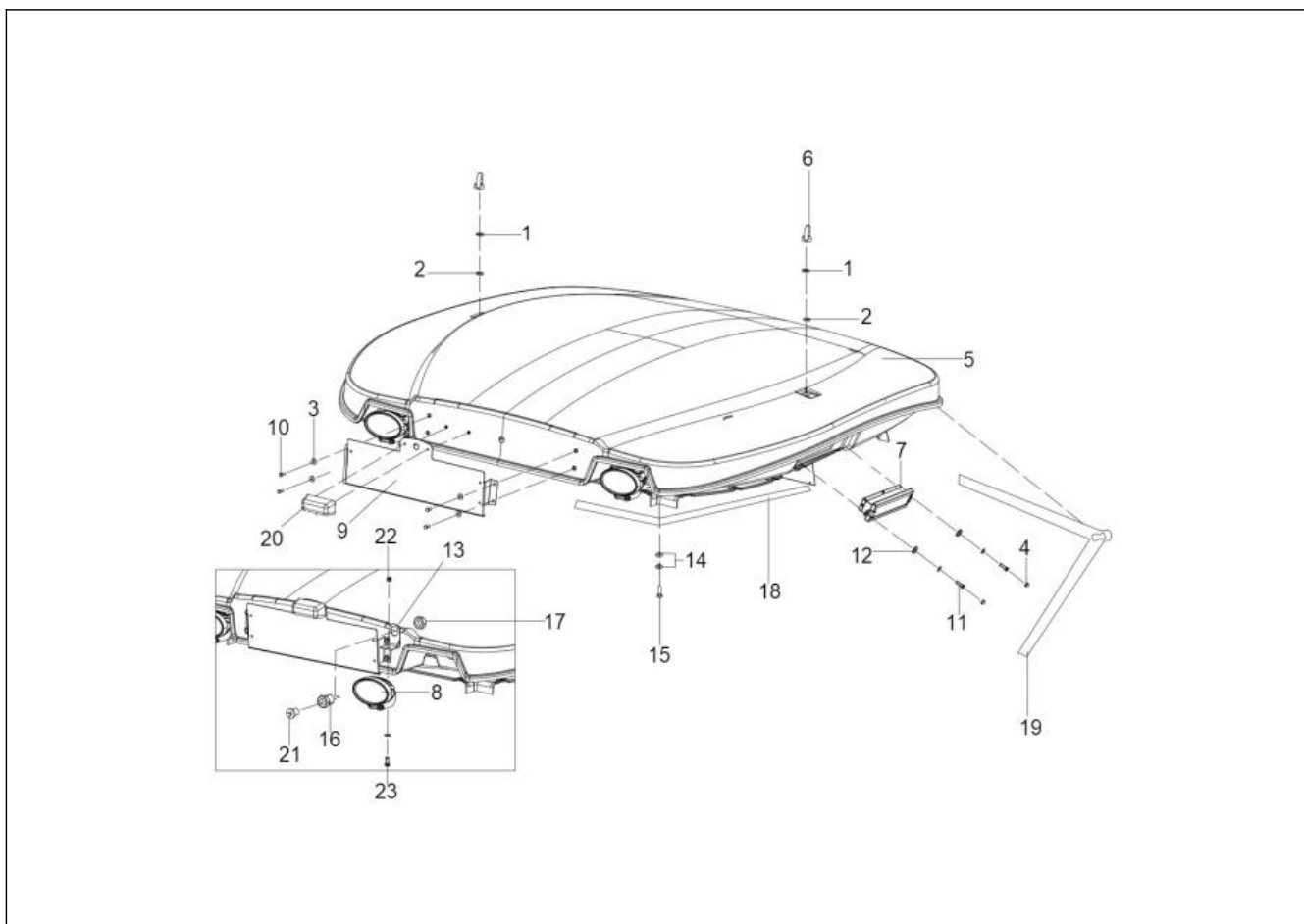
Sr.No	Part Code	Description	Qty	Int.	Cut Off	Remarks
1	300041635A	HEADLINER (SOLIS-50 CAB)	1			
2	10082189AC	CD PLAYER	1			
3	300117359B	AIR CONDITIONER PANEL	1			
4	300041990B	FUSE BOX COVER	1			
5	10085788AB	SUN SHIELD	1			INTERCHANGEABLE WITH 10085788AC (ROHS)
5	10085788AC	SUN SHIELD	1			
6	10010866AB	CABIN ROOF LIGHT	1			
7	300041989A	SIX SWITCH MTG. PLATE	1			
8	10010881AC	SPEAKERS WITH GRILL FRAME	2			
9	10085696AA	SPEAKER COVER	2			

CABIN  
CB-4-2\_CANOPY AND HEADLINER ASSY



Sr.No	Part Code	Description	Qty	Int.	Cut Off	Remarks
1	10086076AA	PUSH PIN	19			
2	20005569AA	HEX SCREW M6X1X20	2			
3	20005524AA	PLAIN WASHER A 6.4 IS:5370 STEEL	6			
4	10085706AA	NUT CAP M6	6			
5	10085715AA	CROSS RECESSED PAN HEAD TAPPING SCREW	16			
6	10094001AA	CLIP NUT M4	16			

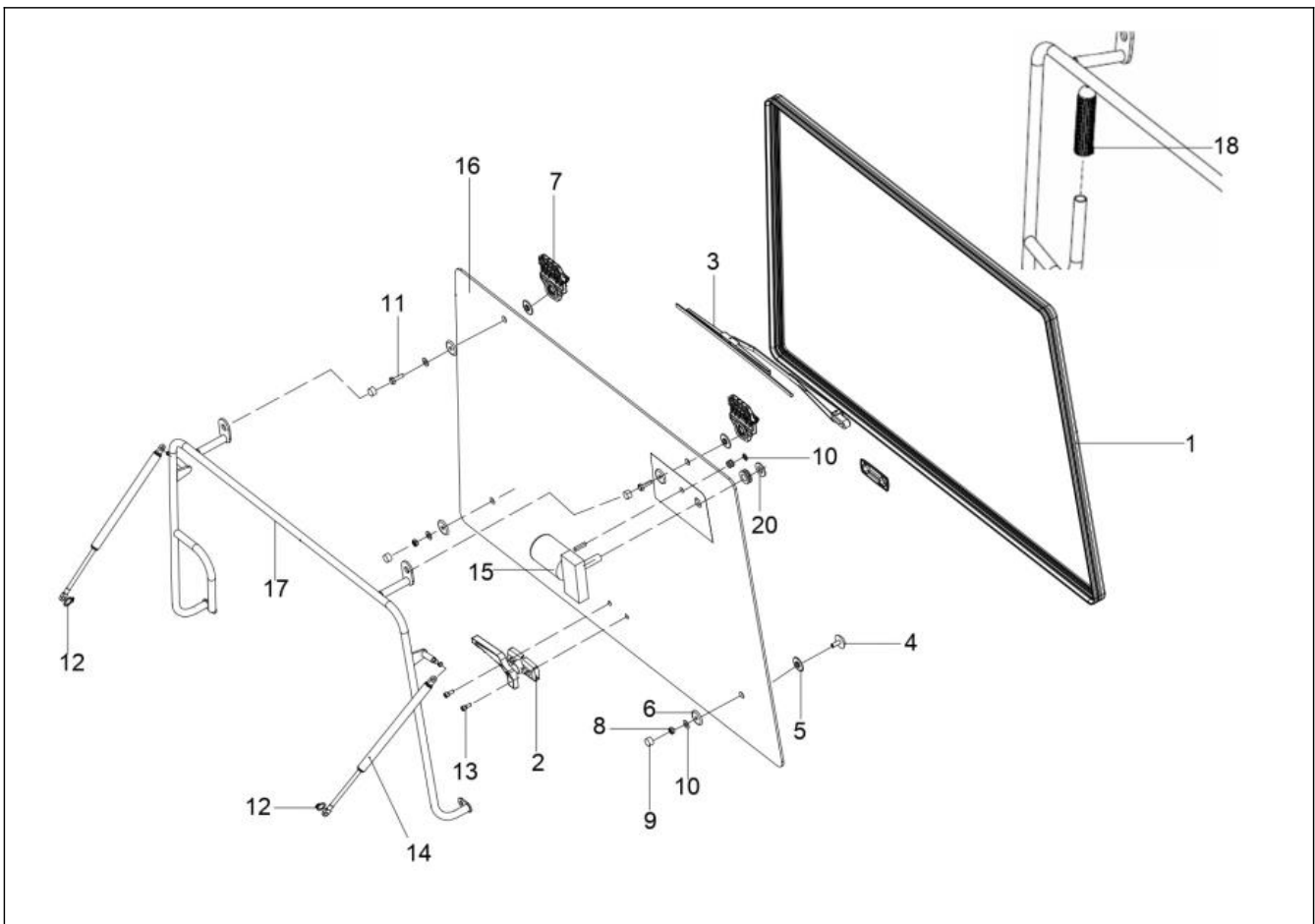
CABIN  
CB-4-3\_CANOPY AND HEADLINER ASSY



Sr.No	Part Code	Description	Qty	Int.	Cut Off	Remarks
1	20004940AB	M/C WASHER DIA 13*DIA 24*2.5	2			
2	10012693AB	RUBBER WASHER	2			
3	20005524AA	PLAIN WASHER A 6.4 IS:5370 STEEL	6			
4	10085706AA	NUT CAP M6	6			
5	10094998AD	CANOPY ASSY	1			
6	10085721AB	LIFTING EYE NUT M12	2			
7	300150706C	AIR FILTER ASSY WITH INGREDIENTS	2			
8	300040884A	LED WORK LAMP	4			
9	10084253AA	REGISTRATION PLATE	1			
10	20005569AA	HEX SCREW M6X1X20	4			
11	20005570AA	HEX SCREW M6X25	4			
12	10004837AB	RUBBER RING FOR EXHAUST CLAMP ASSY.	4			
13	300178290A	MTG. BKT. ASSY FOR WORK LAMP	4			
14	300001650A	CANOPY WASHER M10X2	8			
15	20005562AA	HEX HEAD SCREW M10X1.5X30 -8.8 SA4GS	4			
16	300185367A	SPECIAL BOLT M30	4			
17	300185570A	HEX LOCK NUT M30X2	4			
18	10095008AB	CANOPY PAD REAR RH	1			
19	10095005AB	CANOPY PAD FRONT RH	1			
20	10067783AB	LIGHT FOR REGISTRATION PLATE	1			
21	300276963A	CANOPY WORKLAMP GROMMET	4			
22	20004917AB	HEX NYLOC NUT M8*1.25 8	4			
23	20005565AA	HEX HEAD SCREW M8X1.25X20 -8.8 SA4GS	4			
24	10083026AA	RUBBER PAD	4			NOT SHOWN
25	10085539AA	ANTENNA (INHOUSE AC CABIN)	1			NOT SHOWN
26	10095007AB	CANOPY PAD REAR LH	1			NOT SHOWN
27	10095004AB	CANOPY PAD FRONT LH	1			NOT SHOWN

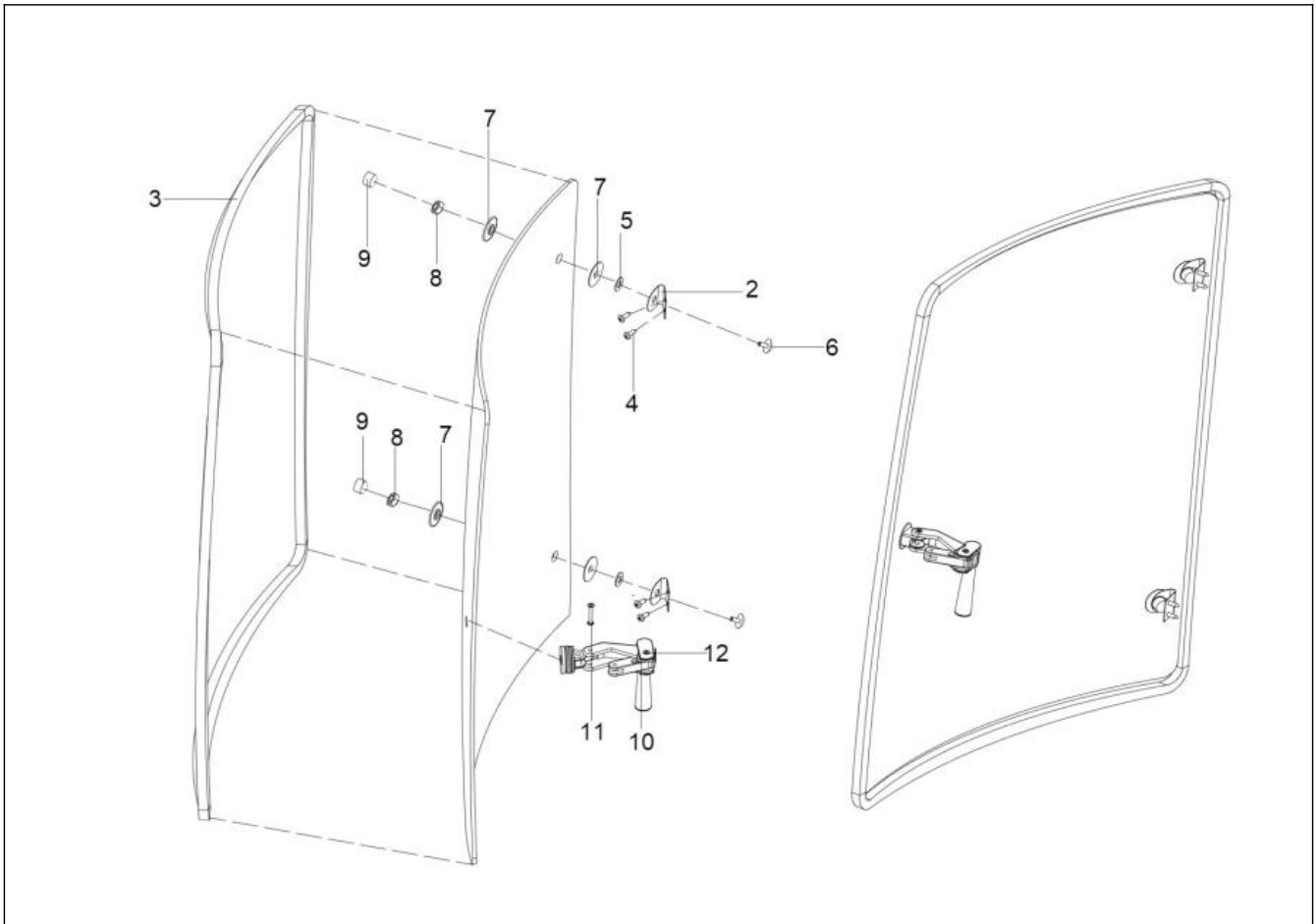


CABIN  
CB-5\_REAR GLASS ASSY



Sr.No	Part Code	Description	Qty	Int.	Cut Off	Remarks
1	10084912AA	REAR GLASS RUBBER	1			
2	10010845AE	REAR LOCK ASSY	2			
3	10085644AA	WIPER & BLADE ASSY REAR	1			
4	10084517AB	LOCKING PIN FOR GLASS	2			
5	10084513AA	RUBBER GROMMET FOR DOOR PIPE LOWER	4			
6	10084516AA	RUBBER GROMMET FOR REAR GLASS	4			
7	10084885AA	REAR GLASS HINGE	2			
8	04041000008	HEX NYLOCK NUT M8*1.25	2			
9	10085707AA	NUT CAP M8	2			
10	20004935AB	PLAIN WASHER DIA 8.4 *DIA 17*1.6	4			
11	20005565AA	HEX HEAD SCREW M8X1.25X20 -8.8 SA4GS	2			
12	10085704AA	EXTERNAL CIRCLIP A-8 IS:3075	4			
13	20003932AB	CROSS SLOTTED TRUSS HEAD SCREW M8(CONTRO	4			
14	10085881AA	GAS SPRING REAR	2			
15	10085643AA	WIPER MOTOR (REAR)	1			
16	300033170A	REAR GLASS	1			
17	300282689A	REAR GLASS DOOR HANDLE	1			
18	10095002AB	HANDLE GRIP	1			
19	300175577A	SLIT CORRUGATED TUBE	1			NOT SHOWN
20	10085762AA	HEXAGONAL SOCKET COUNTERSUNK SCREW M8X20	4			

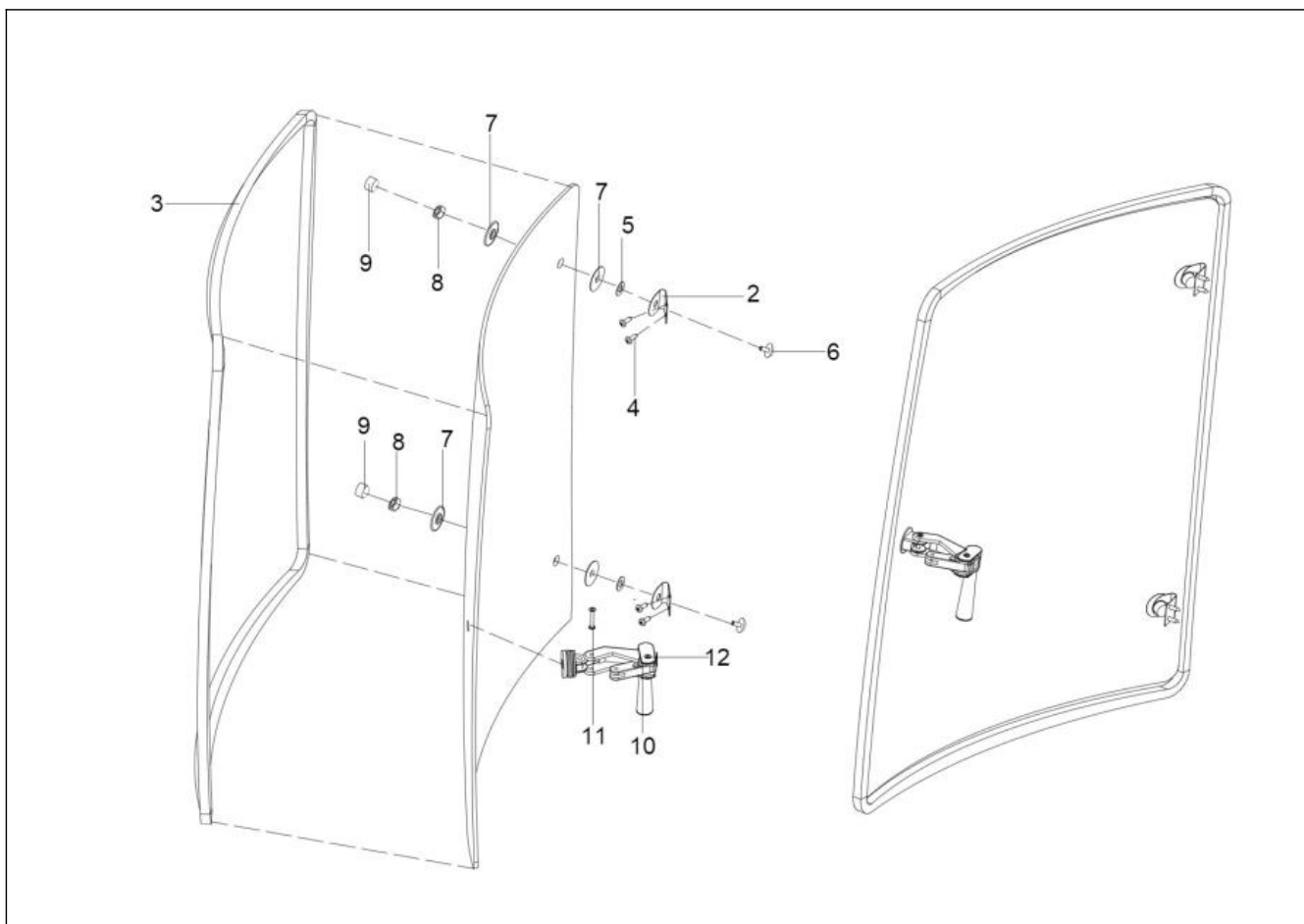
CABIN  
CB-6\_QUARTER GLASS ASSY LH



Sr.No	Part Code	Description	Qty	Int.	Cut Off	Remarks
2	10084501AB	HINGE PLATE FOR SIDE WINDOW GLASS	2			
3	10082103AE	DOOR GLASS BEADING	1			
4	10085717AA	CROSS RECESSED PAN HEAD TAPPING SCREW M4.8X16	4			
5	04030600008	PLAIN WASHER DIA 8.4 *DIA 17*1.6	2			
6	10084517AB	LOCKING PIN FOR GLASS	2			
7	10084513AA	RUBBER GROOMET FOR DOOR PIPE LOWER	4			
8	20004917AB	HEX NYLOC NUT M8*1.25 8	2			
9	10085707AA	NUT CAP M8	2			
10	10084908AA	WINDOW LOCK RIGHT	1			
11	10084750AA	SPLIT PIN 5 X 12 HEAVY DUTY IS:2752	1			
12	20002817AA	DOWEL(6*30)	1			

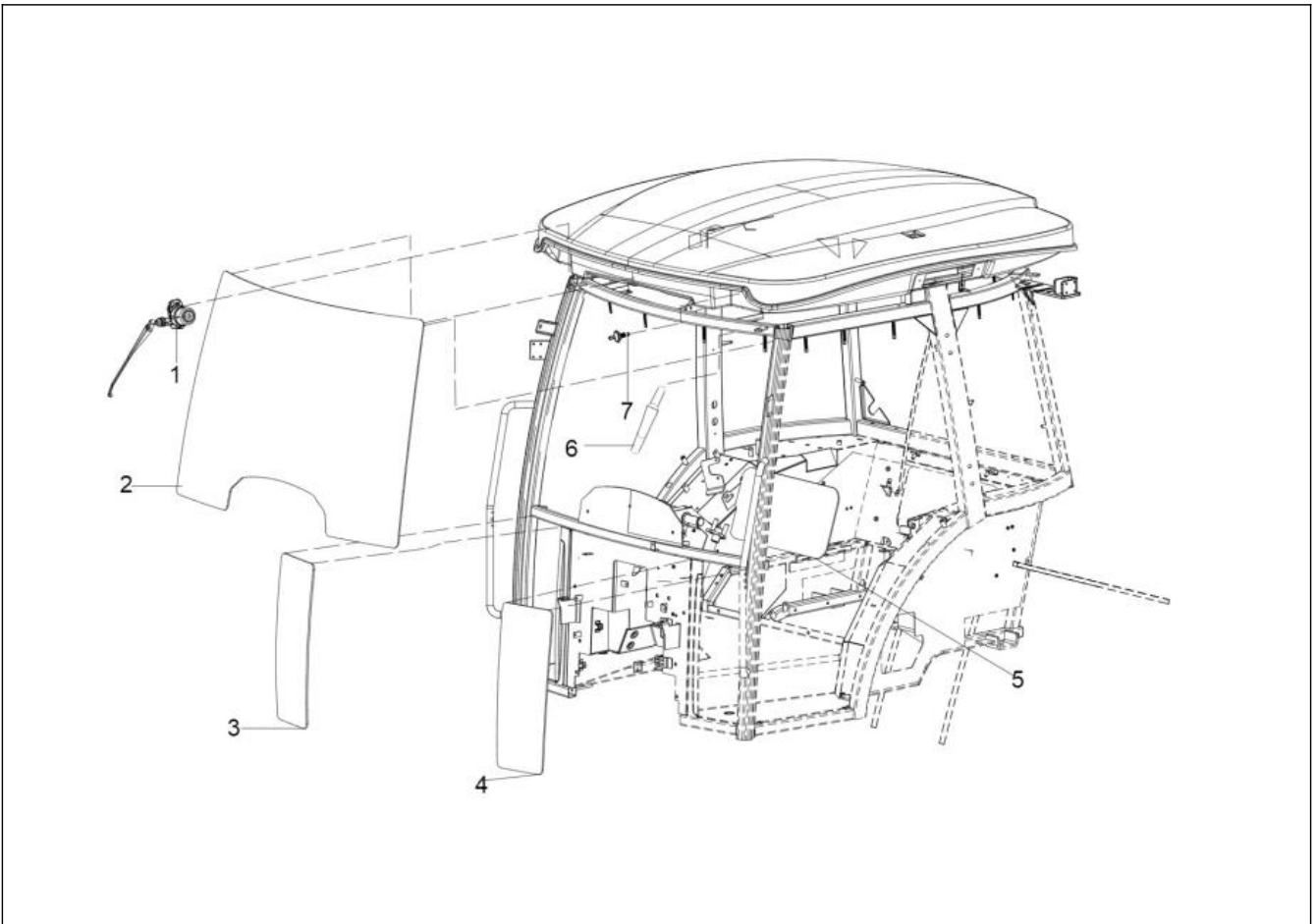
## CABIN

## CB-7\_QUARTER GLASS ASSY RH



Sr.No	Part Code	Description	Qty	Int.	Cut Off	Remarks
2	10084501AB	HINGE PLATE FOR SIDE WINDOW GLASS	2			
3	10082103AE	DOOR GLASS BEADING	1			
4	10085717AA	CROSS RECESSED PAN HEAD TAPPING SCREW M4.8X16	4			
5	04030600008	PLAIN WASHER DIA 8.4 *DIA 17*1.6	2			
6	10084517AB	LOCKING PIN FOR GLASS	2			
7	10084513AA	RUBBER GROOMET FOR DOOR PIPE LOWER	4			
8	20004917AB	HEX NYLOC NUT M8*1.25 8	2			
9	10085707AA	NUT CAP M8	2			
10	10084907AA	WINDOW LOCK LEFT	1			
11	10084750AA	SPLIT PIN 5 X 12 HEAVY DUTY IS:2752	1			
12	20002817AA	DOWEL(6*30)	1			

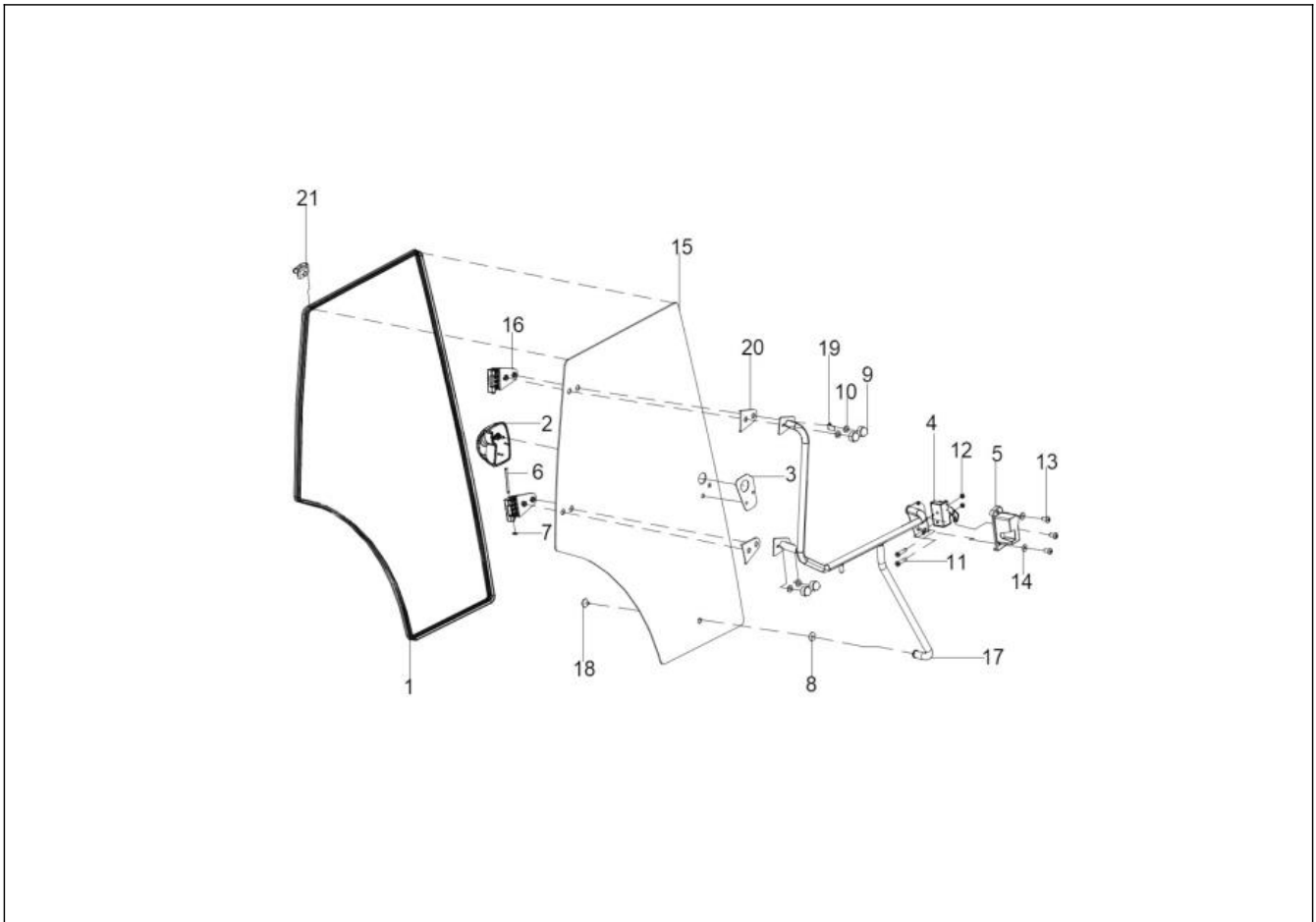
CABIN  
CB-8\_FRONT GLASS



Sr.No	Part Code	Description	Qty	Int.	Cut Off	Remarks
1	10085641AA	WIPER MOTOR FRONT	1			
2	300178539B	WINDSHIELD GLASS	1			
3	300178671B	RIGHT BOTTOM WINDSHIELD GLASS	1			
4	300177867B	LEFT BOTTOM WINDSHIELD GLASS	1			
5	300277421A	SERVICE GLASS	1			
6	10082824AA	CHECK VALVE (100503939C0)	2			
7	10082822AA	ELBOW CONNECTOR (100502639C0)	1			

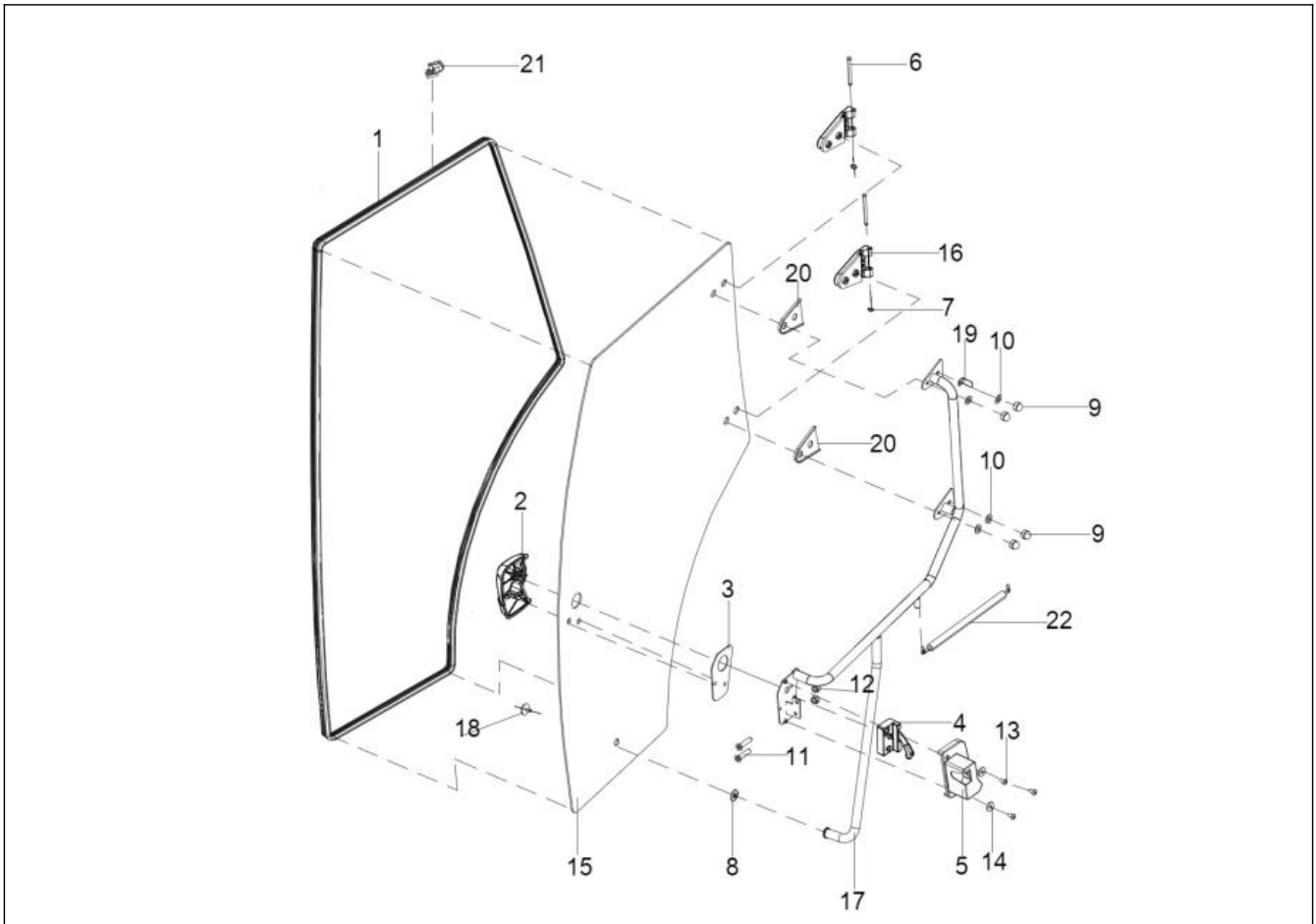


CABIN  
CB-9\_DOOR GLASS LH



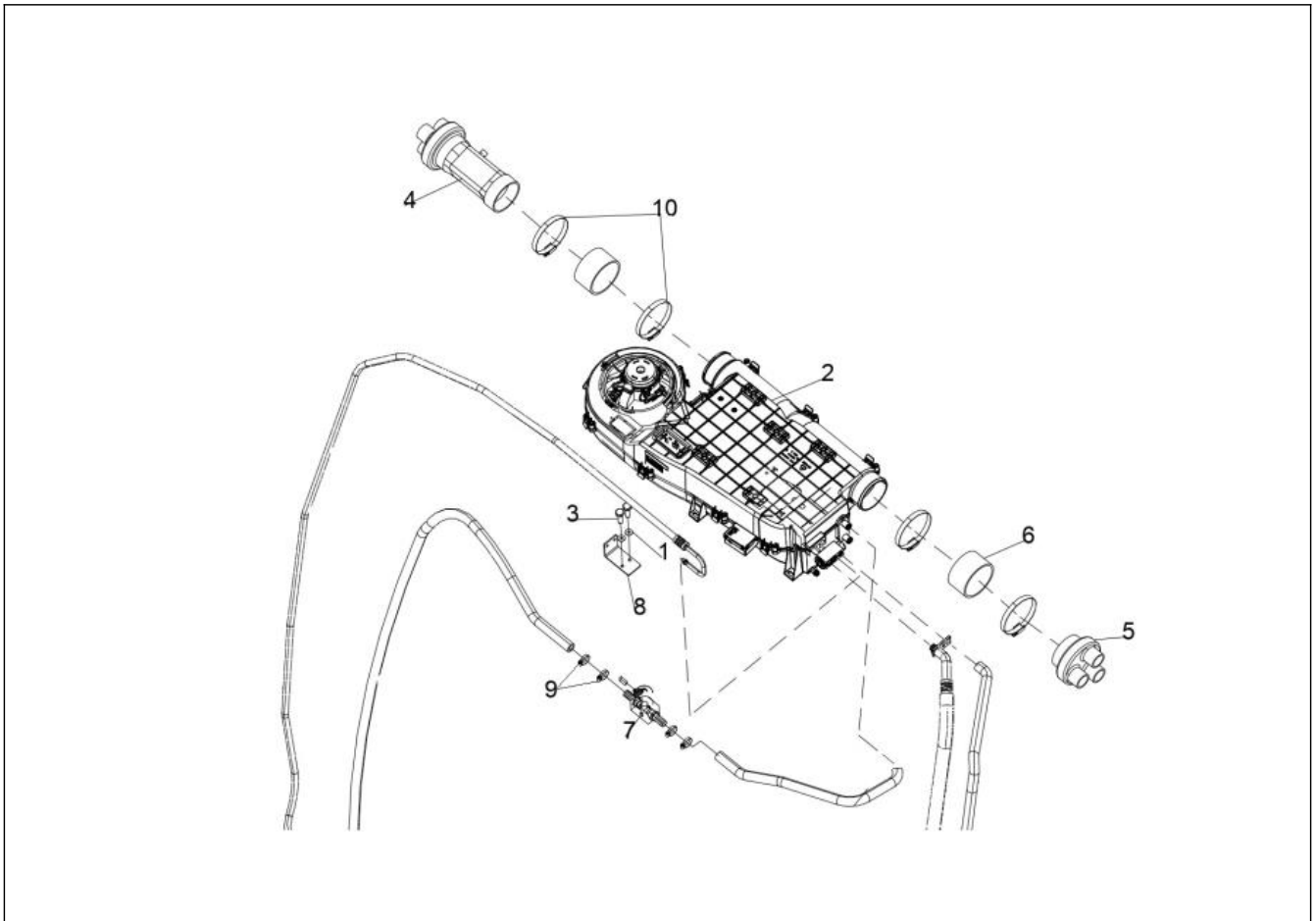
Sr.No	Part Code	Description	Qty	Int.	Cut Off	Remarks
1	10084910AA	RUBBER BEADING	1			
2	10085637AA	DOOR HANDLE LH	1			
3	10084511AA	DOOR LOCK RUBBER PAD LH	1			
4	10084878AA	LOCK LEFT	1			
5	10084589AA	DOOR LOCK HANDLE COVER LH	1			
6	10085684AA	DOOR HINGE PIN DIA 8	2			
7	10085704AA	EXTERNAL CIRCLIP A-8 IS:3075	2			
8	10084513AA	RUBBER GROOMET FOR DOOR PIPE LOWER	1			
9	10085707AA	NUT CAP M8	4			
10	04030600008	PLAIN WASHER DIA 8.4 *DIA 17*1.6	4			
11	10085708AA	CROSS RECESSED FLAT HEAD MACHINE SCREW M8X40	2			
12	20004917AB	HEX NYLOC NUT M8*1.25 8	2			
13	10085713AA	CROSS RECESSED CHEESE HEAD SCREW M6X16	3			
14	04030600006	PLAIN WASHER DIA 6.4 *DIA 18 *1.5	2			
15	300041604A	LEFT DOOR GLASS	1			
16	10085635AA	PLASTIC DOOR HINGE SEALED LEFT	2			
17	300271851A	DOOR HANDLE ASSY LH	1			
18	10084517AB	LOCKING PIN FOR GLASS	1			
19	10085703AB	INTERIOR LAMP SWITCH PLATE	1			
20	10084512AB	RUBBER PAD FOR DOOR PIPE REAR	2			
21	10085685AA	DOOR LOCK STRIKER	1			

CABIN  
CB-10\_DOOR GLASS RH



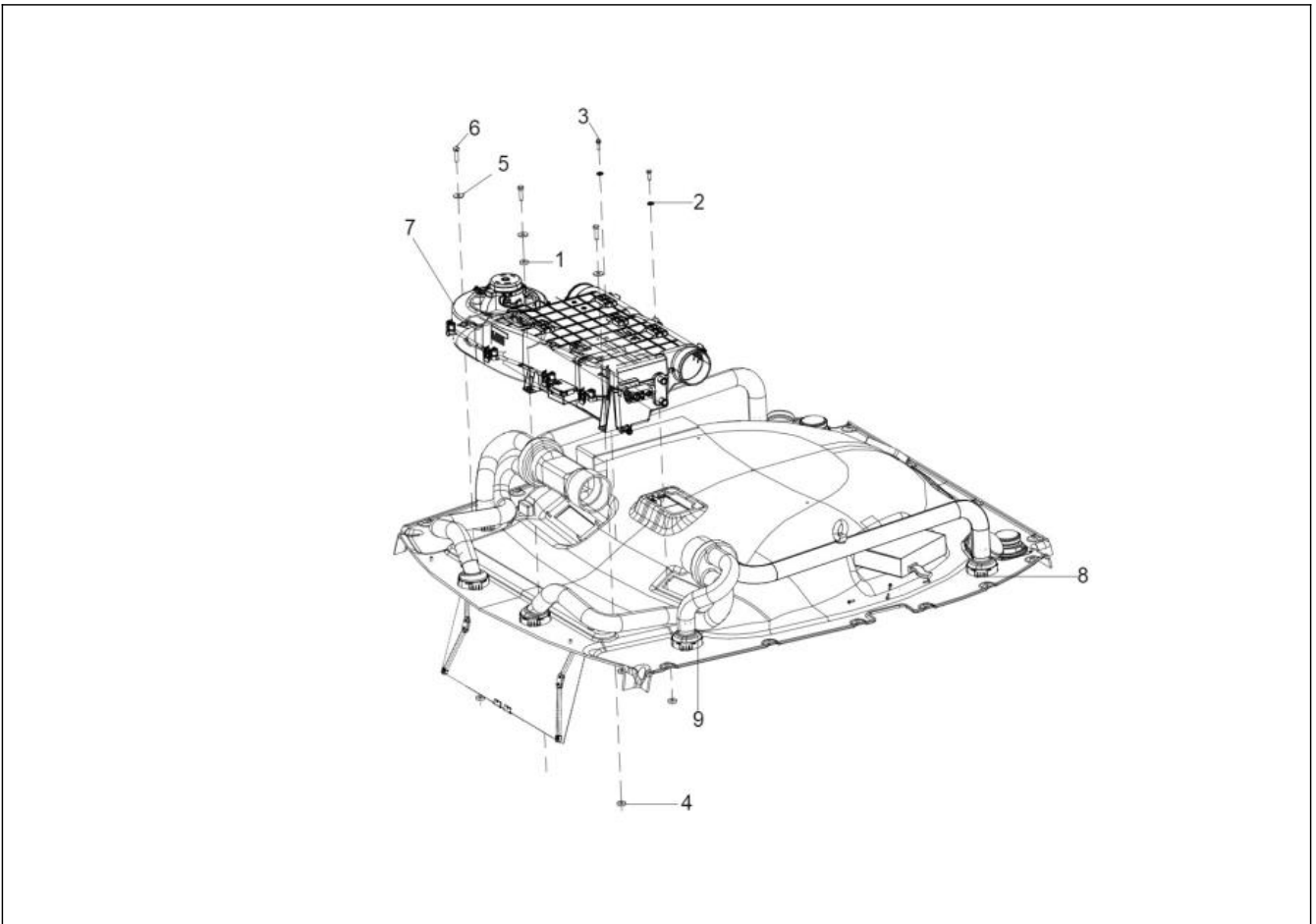
Sr.No	Part Code	Description	Qty	Int.	Cut Off	Remarks
1	10084910AA	RUBBER BEADING	1			
2	10085638AA	DOOR HANDLE RH	1			
3	10084514AA	DOOR LOCK RUBBER PAD RH	1			
4	10084906AA	LOCK RIGHT	1			
5	10084590AA	DOOR LOCK HANDLE COVER RH	1			
6	10085684AA	DOOR HINGE PIN DIA 8	2			
7	10085704AA	EXTERNAL CIRCLIP A-8 IS:3075	2			
8	10084513AA	RUBBER GROOMET FOR DOOR PIPE LOWER	1			
9	10085707AA	NUT CAP M8	4			
10	04030600008	PLAIN WASHER DIA 8.4 *DIA 17*1.6	4			
11	10085708AA	CROSS RECESSED FLAT HEAD MACHINE SCREW M8X40	2			
12	20004917AB	HEX NYLOC NUT M8*1.25 8	2			
13	10085713AA	CROSS RECESSED CHEESE HEAD SCREW M6X16	3			
14	04030600006	PLAIN WASHER DIA 6.4 *DIA 18 *1.5	2			
15	300041609A	RIGHT DOOR GLASS	1			
16	10085634AA	PLASTIC DOOR HINGE SEALED RIGHT	2			
17	300181093B	DOOR HANDLE ASSY_RH	1			
18	10084517AB	LOCKING PIN FOR GLASS	1			
19	10085703AB	INTERIOR LAMP SWITCH PLATE	1			
20	10084512AB	RUBBER PAD FOR DOOR PIPE REAR	2			
21	10085685AA	DOOR LOCK STRIKER	1			
22	10085880AA	GAS SPRING (CYLINDER) 220N	1			

CABIN  
CB-11-1\_HVAC



Sr.No	Part Code	Description	Qty	Int.	Cut Off	Remarks
1	04030600006	PLAIN WASHER DIA 6.4 *DIA 18 *1.5	2			
2	10095078AA	HVAC ASSY ROOF MOUNT*	1			CHILD PART OF 300186068B
3	20005569AA	HEX SCREW M6X1X20	2			
4	300041637A	AC DUCT RH (SOLIS 50 CAB)	1			
5	300042875A	AC DUCT LH (SOLIS 50 CAB)	1			
6	300041736A	DUCT HOSE (SOLIS-50 CAB)	2			
7	10095083AA	12V SOLENOID VALVE ADAPTER ASSY	1			CHILD PART OF 300186068B
8	300104730A	SOLENOID MTG BKT	1			
9	20005615AA	WORM D. HOSE CLAMP-25A	4			
10	20003978AC	HOSE WORM CLAMPS	4			

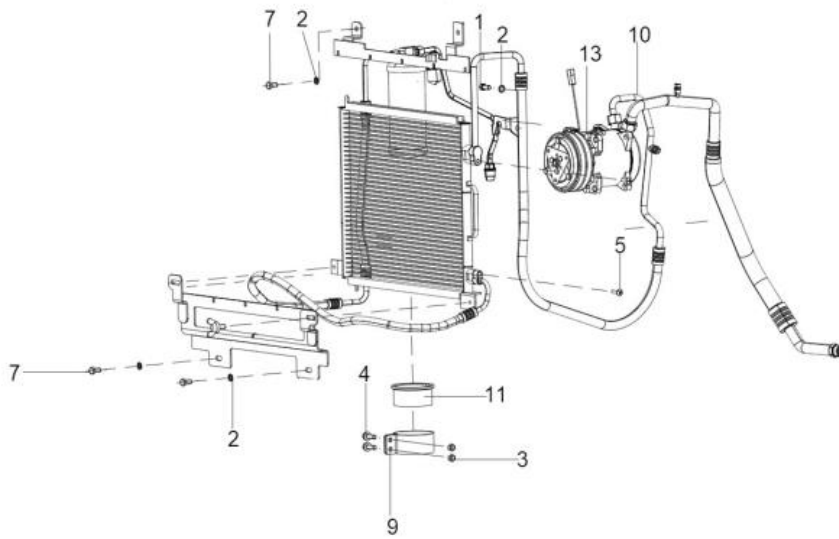
CABIN  
CB-11-2\_HVAC



Sr.No	Part Code	Description	Qty	Int.	Cut Off	Remarks
1	10083026AA	RUBBER PAD	5			
2	20005517AA	SPRING WASHER B-8 TYPE A IS:3067-1972	2			
3	20005569AA	HEX SCREW M6X1X20	4			
4	20005524AA	PLAIN WASHER A 6.4 IS:5370 STEEL	2			
5	20004935AB	PLAIN WASHER DIA 8.4 *DIA 17*1.6	3			
6	20005563AA	HEX SCREW M8X1.25X30 -8.8 SA4GS	3			
7	10095078AA	HVAC ASSY ROOF MOUNT*	1			
8	300002144A	AC LOUVER	4			CHILD PART OF 300186068B
9	300001654A	AC LOUVER EXTENSION	4			CHILD PART OF 300186068B

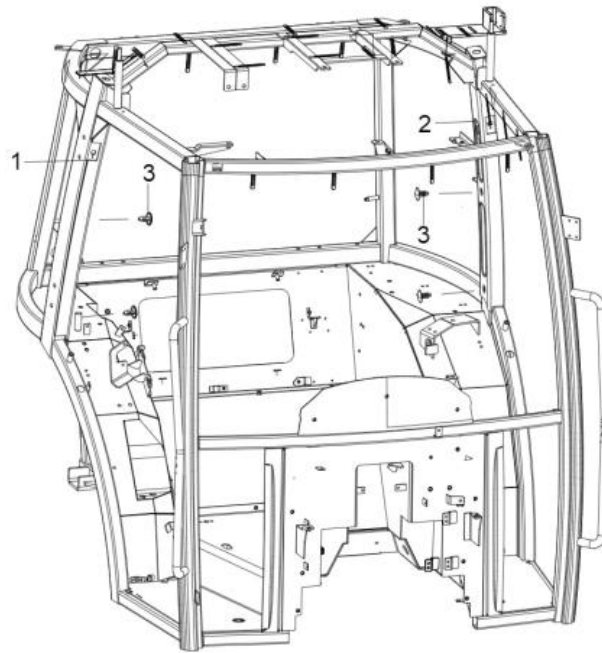


CABIN  
CB-11-3\_HVAC



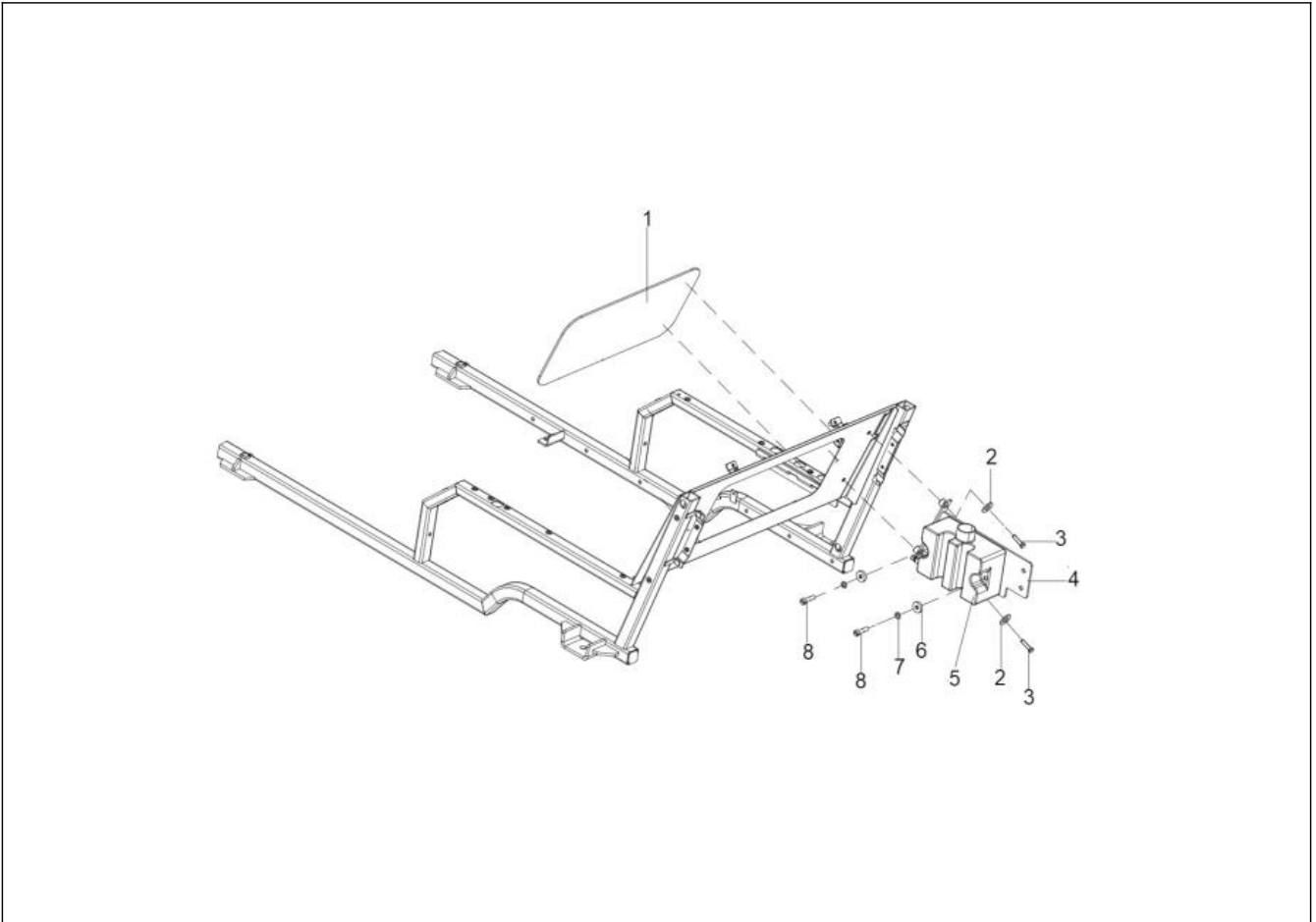
Sr.No	Part Code	Description	Qty	Int.	Cut Off	Remarks
1	20005565AA	HEX HEAD SCREW M8X1.25X20 -8.8 SA4GS	1			
2	20005517AA	SPRING WASHER B-8 TYPE A IS:3067-1972	5			
3	20005504AA	HEX NUT M8X1.25 -8 SA4GS	2			
4	20004977AA	HEX HEAD SCREW M8X1.25X25	2			
5	10067945AB	CROSS SLOTTED TRUSS HEAD SCREW M6X25	2			
7	20005559AA	HEX HEAD SCREW M8X1.25X16 -8.8 SA4GS	4			
9	300111152B	RD BOTTLE CLAMP MOUNTING	1			
10	300363863B	HOSE PIPE COMPRESSOR TO CONDENSER	1			CHILD PARTS OF 300364175B
11	300130902B	RUBBER FLAP RD BOTTLE	1			
13	300364175B	HVAC KIT SOLIS 60 - TRACTOR COMPONENTS	1			

CABIN  
CB-12\_TRIMS



Sr.No	Part Code	Description	Qty	Int.	Cut Off	Remarks
1	10084311AB	RIGHT SIDE TRIM	1			
2	10084312AC	LEFT SIDE TRIM	1			
3	10086076AA	PUSH PIN	4			

CABIN  
CB-13\_WASHER TANK



Sr.No	Part Code	Description	Qty	Int.	Cut Off	Remarks
1	300277421A	SERVICE GLASS	1			
2	04030600008	PLAIN WASHER DIA 8.4 *DIA 17*1.6	2			
3	20003286AE	HEX. HEAD SCREW M8X1.25X35 8.8 SA2JS	2			
4	300183549A	MTG BKT ASSY FOR WASHER TANK	1			
5	10010875AB	WIPER WASHER TANK ASSY.	1			
6	10004254AC	RUBBER PAD (FOR TOOL BOX.)	2			
7	20005515AA	SPRING WASHER B-5 TYPE A IS:3067-1972	2			
8	20005538AA	SLOTTED CHEASE HEAD SCREW M5*25	2			